

### [Features]

- With PT-100 or 4-20mA input, and RS-485 output
- Waterproof grade IP65
- Conveniently install and connect in parallel for wide range in total length of 2KM, expand to maximum 255pcs connection
- Small in size, no need for locating it to a fixed position
- With RS-485 connection, all 4-20mA sensors upgrade to communication enable

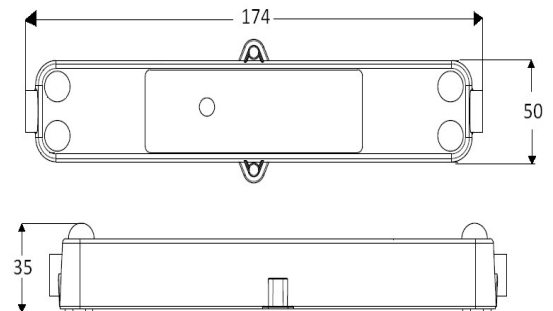


**[Applications]** Applied to temperature monitoring for bus, multiple sites, long-distance data collection, and add on 4-20mA sensors to RS-485 communication

### [Specifications]

<b>Power</b>	24VDC ±10%, power consumption 0.1A	
<b>Environment</b>	Operating temp	-20°C~80°C, 100%RH non-condensing
	Storage temp	-30°C~90°C, 100%RH non-condensing
<b>Communication</b>	Interface	RS-485 ModBus RTU
	Software	Offset · Gain · ID · TAG Name · Range · Unit
	Baud rate	9,600~115,200
<b>Signal</b>	Input	1 point
	Signal input	PT100 · 4-20mA
	PT100 measuring range	-100~300°C
	Resolution	12 Bit
	Accuracy	±0.3°C
<b>Physical conditions</b>	Offset	±0.06%
	Dimension(mm)	174 x 50 x 35 (W x H x D)
	Weight	< 0.10kg
	Housing material	ABS
	Weathering grade	IP65

### [Dimensions] mm



### [Configuration]

