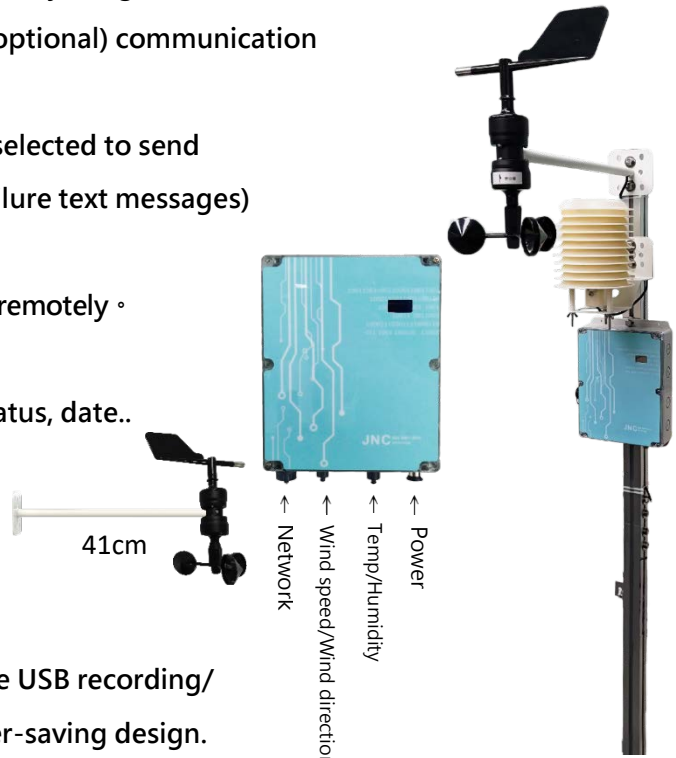


[Features]

- It has a web interface, and can be remotely controlled by using a browser.
- 3-network architecture: with Ethernet, WiFi, 4G (optional) communication at the same time.
- Active early warning: 4G communication can be selected to send text messages (full Chinese culture and power failure text messages)
- Firmware update via USB.
- The historical data in the USB can be downloaded remotely .
- Can be charged with solar panels.
- 0.96-inch color LCD display on-site value, USB status, date..
- GPS signal available .
- Can detect battery power.
- 1.5m aluminum extrusion tower.
- Waterproof quick connector, easy to install.
- Independent small-point monitoring tool: on-site USB recording/ SMS sending/4G communication or NBloT/power-saving design.
- The gas sensor is designed for outdoor light louver shell, with accurate sensing, fast response and high data transmission efficiency.
- Measurable battery voltage.



[Applications]

Orchid Garden, Greenhouse, Mushroom, Environmental Monitoring

[Optional Code]

CWS — Code 1

Code 1	Communication
N	Ethernet+WiFi
NB	NBLoT Communication
4G	4G communication + built-in antenna
4GO	4G communication + external antenna


[Dimension]mm



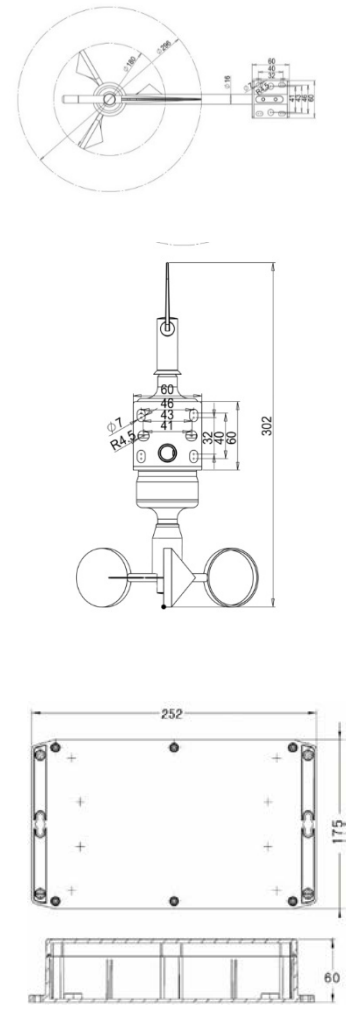
[Specifications]

Item Detection Principle	Range	T90	Operating Temp	Resolution	Accuracy	Environmental Equilibration Time
Temp (Resistive)	-40~125°C	<60 S	-20~60°C	0.1°C	±0.4°C	10min
RH (Capacitive)	0~100%	<60 S	-20~60°C	0.1%	±3%	10min

[Specifications]

	Wind Speed	
	Measuring principle	Rotary Cup
	Measuring range	0m/s~70m/s
	Accuracy	± 0.3m/s or ±0.5%F.S
	Resolution	0.1m/s
	Minimum starting speed	≥ 0.5m/s
	Material	Anti-UV ABS
	Power consumption	≤ 0.48W
	Power supply	12 ~ 24VDC
	Operating temperature	-35~60°C
	Working humidity	0~100% no condensation
	Waterproof level	IP64
	Rotation diameter	180mm
	Signal output	RS-485 ModBus RTU
	Wind Direction	
	Measuring principle	Potential difference
	Measuring range	360°
	Accuracy	±3°
	Resolution	1°
	Minimum starting speed	≥ 0.5 m/s
	Power consumption	≤ 0.48W
	Power supply	12 ~ 24VDC
	Operating temperature	-35~60°C
	Working humidity	0~100% no condensation
	Waterproof level	IP64
	Rotation diameter	296mm
	Signal output	RS-485 ModBus RTU

[Dimension] mm



Weather station controller	Power	Transformer	◆AC input:100 ~ 240V(50/60Hz)	
		Equipment	◆Power consumption:8.5W ◆DC output:12V maximum 2A current	
	Environment	Working Temp.	-20~70°C / 0 ~ 95%RH non-condensing (WiFi 0~70°C)	
		Storage Temp.	-30~70°C	
	Communication Function	Display	Backlit color LCD	
		Ethernet interface	RJ-45 Ethernet cable with Web Service function 、 Protocol Modbus TCP	
		Communications protocol	Modbus RTU, MQTT	
		Wired communication	4G / NBloT (The above options)	
	Physical conditions	Size (mm)	252 x 175 x 60 (W× H× D)	
		Weight	<0.7kg	
	Shell	Material	PC + Anti-UV	
	Waterproof level	IP68		
	Record (optional)	Optional USB recording function, maximum support 64GB		
Safety Certification	CE 、 FCC			
Patent	R.O.C. Patent No M429156 / M474956 / M594326 China Patent No. 2514208 / 3968342			