



SENSORS &
CONTROLLERS



ANALYZERS
& SAMPLERS



LEVEL, FLOW
& PRESSURE



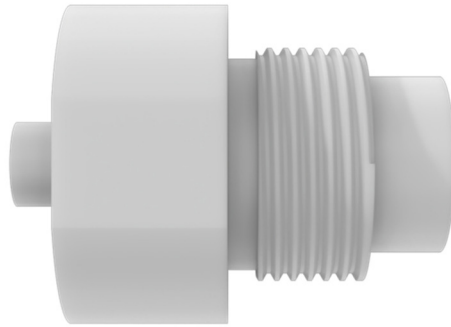
WEB APP &
DATA LOGGING



ACCESSORIES

S411 TEF C DATASHEET

CONDUCTIVITY CELL



MAIN FEATURES

Wide range of conductive cells designed for both water treatment and industrial applications.

Thanks to the combination of cell constant (k) and construction material, it is possible to cover a wide range of applications with different measuring ranges.

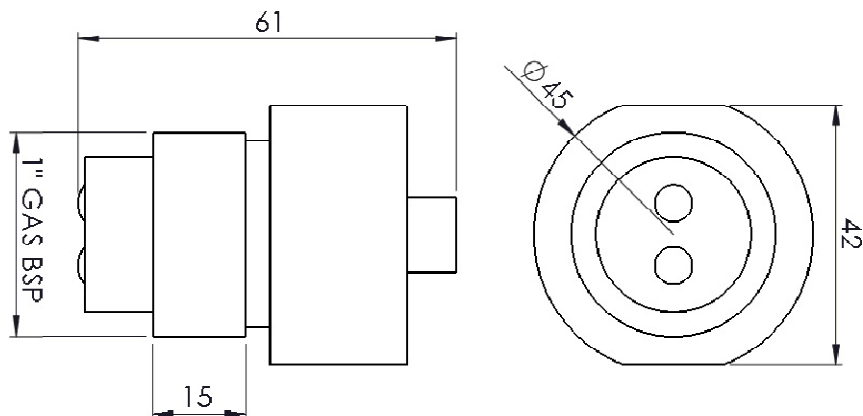
APPLICATIONS

- Raw water
- Drinking water
- Ultra pure water
- Demineralization
- Reverse osmosis
- Ion exchanger
- Water from air conditioning and boiler systems
- Process water

TECHNICAL DATA

Materials	PTFE (Teflon) Body • PTFE (Teflon) Cap • Stainless steel Electrodes • O-Ring BNC
Thread	1" GAS BSP
Max working temperature	100°C
Max working pressure	2 bar
Measuring range	0 – 20000 μ S (K=1)

DIMENSIONS



ORDER CODES

6100010343	S411/TEF/ C/ SS PT100 Therm, Conductivity Cell
------------	--