



SENSORS &
CONTROLLERS



ANALYZERS
& SAMPLERS



LEVEL, FLOW
& PRESSURE



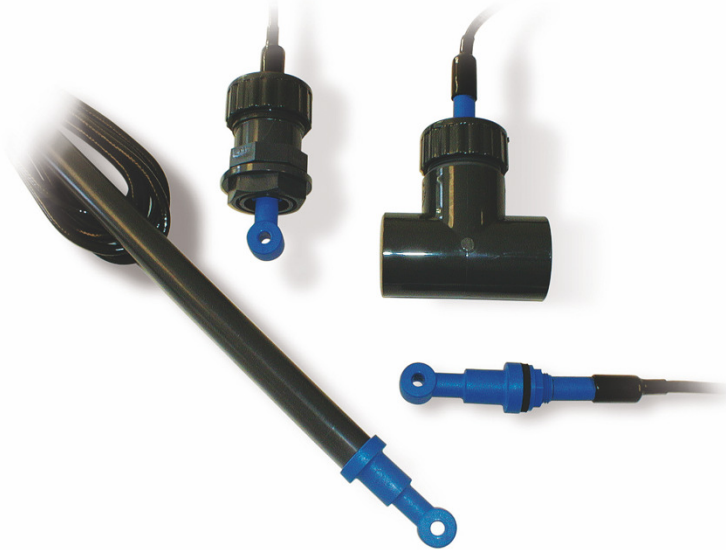
WEB APP &
DATA LOGGING



ACCESSORIES

S411/IND DATASHEET

CONDUCTIVITY INDUCTIVE SENSORS



MAIN FEATURES

- Cost-effective without compromising on quality
- Virtually maintenance free
- Re-calibration only required occasionally
- High tolerance to sensor “coating” phenomenon

APPLICATIONS

- Polluted surface water
- Process monitoring
- Highly contaminated or aggressive media
- Wastewater treatment

MODELS

- S411 IND
sensor only
- S411 IND T
by immersion
- S411 IND E
for insertion with T-fitting
- S411 IND T INS
for direct insertion on a flat wall

TECHNICAL DATA

S411/IND ONLY SENSOR

Operating Temperature	-5 to 60°C (non-freezing)
Contact materials	Polypropylene reinforced with fiberglass
Temperature compensation	2 wires Pt1000
Cable	5m solidate (54G)
Connection process	0.5" BSP male threaded
Protection	IP67

S411/IND/E INSERTION WITH T-JOINT

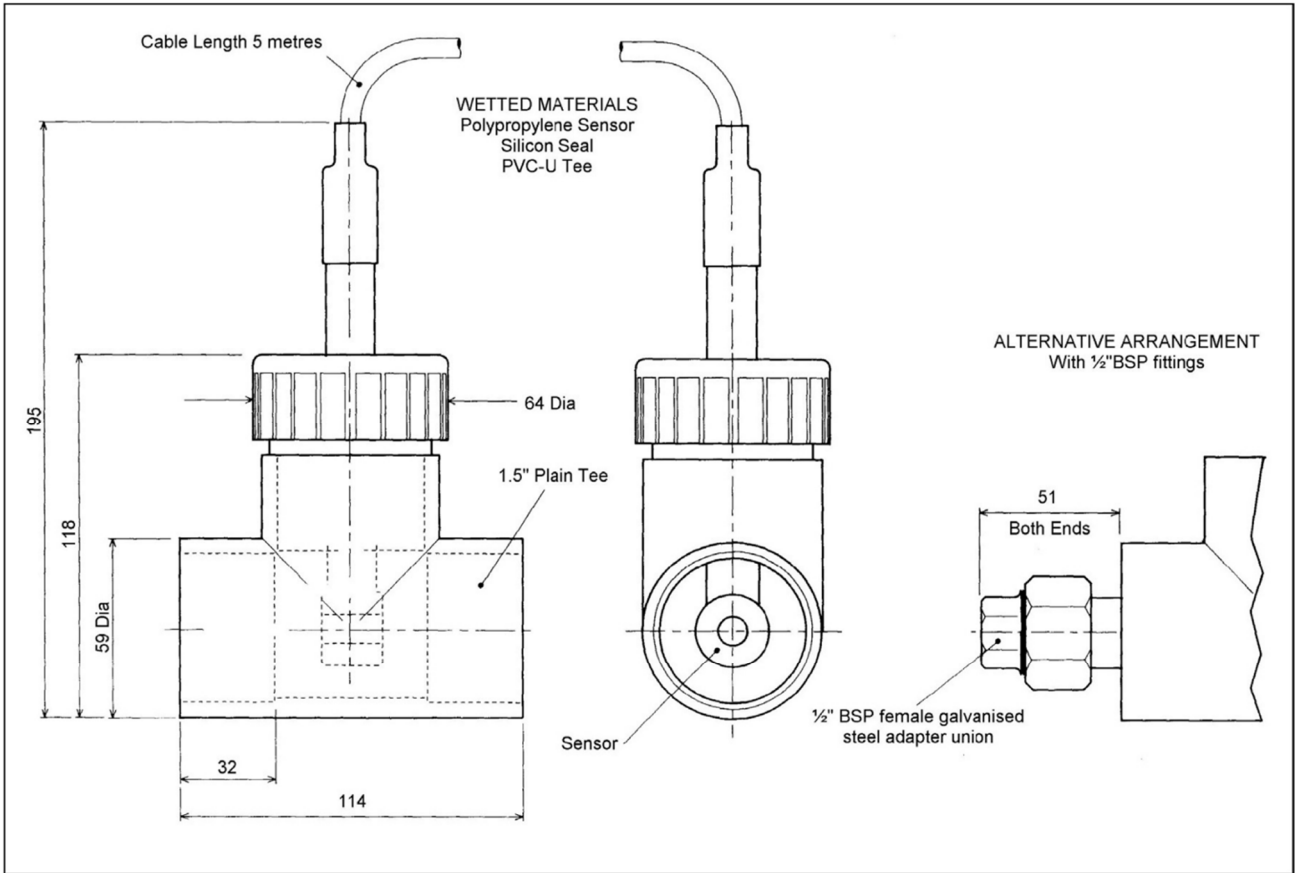
Operating Temperature	-5 to 60°C (non-freezing)
Materials of the joint	PVC with Viton sealing
Dimensions	T-joint with 1.5" GAS Female threaded or 0.5" GAS joints in galvanized metal
Operating Pressure	From vacuum to 6.5 bar (100 psi).

S411/IND/INS ON WALL DIRECT INSERTION

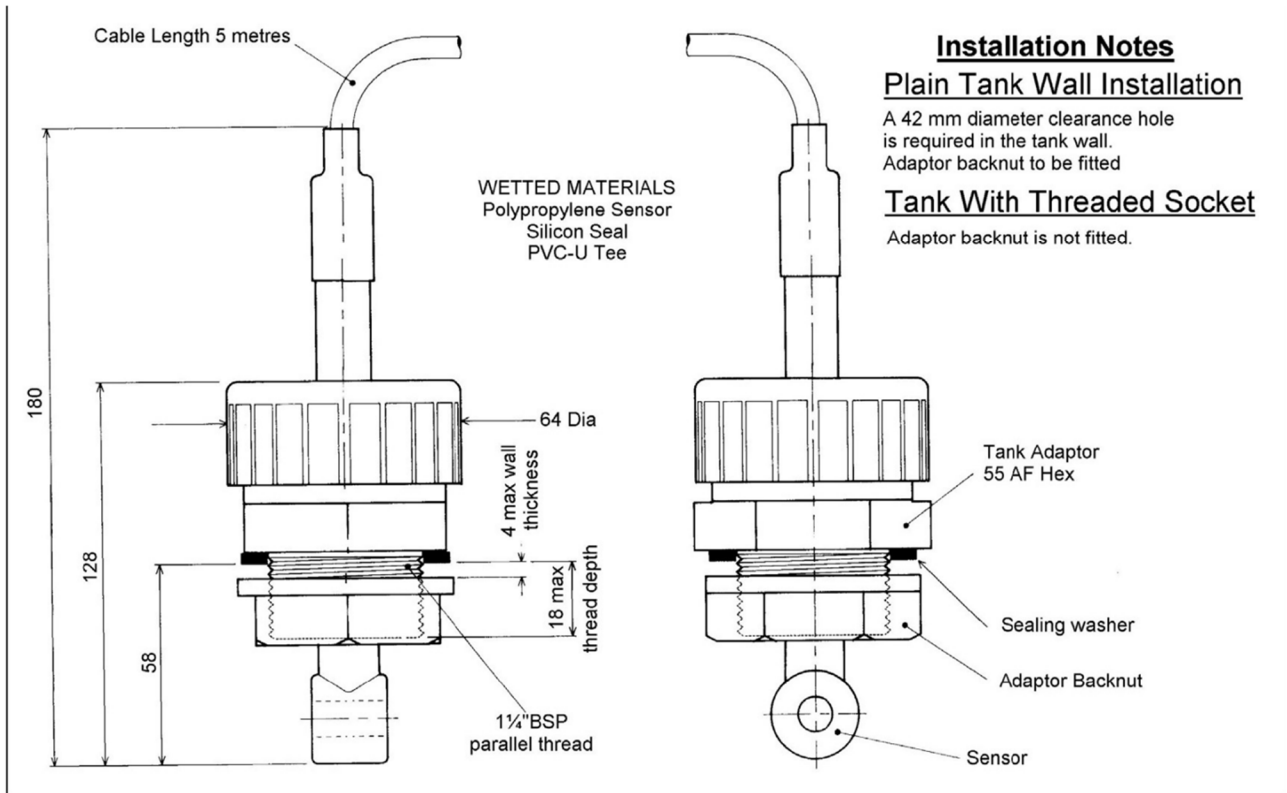
Operating Temperature	5 to 60°C (non-freezing)
Materials of the joint : PVC with Viton sealing	Materials of the joint : PVC with Viton sealing
Dimensions : 1.25" GAS swivel with adapter flange	Dimensions : 1.25" GAS swivel with adapter flange
Operating Pressure From vacuum to 6.5 bar (100 psi)	Operating Pressure From vacuum to 6.5 bar (100 psi).

DIMENSIONS

S411/IND/E

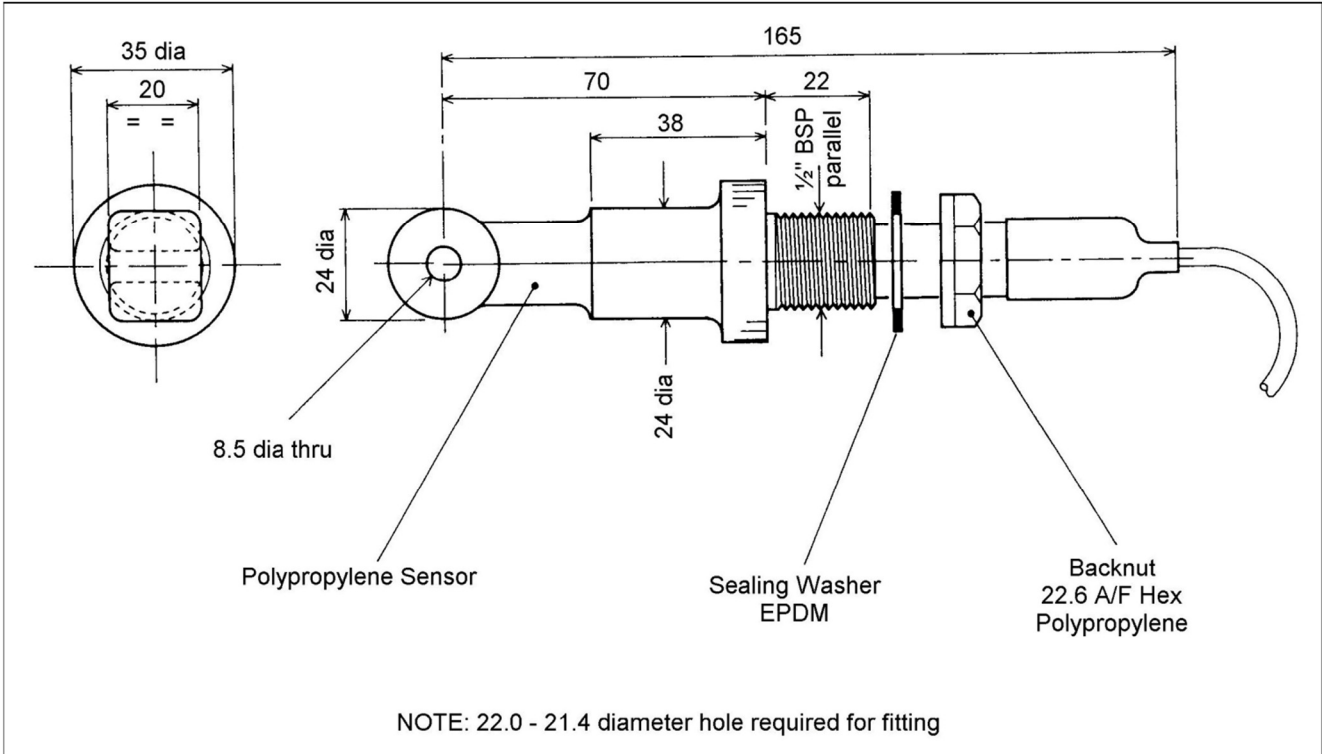


S411/IND/INS

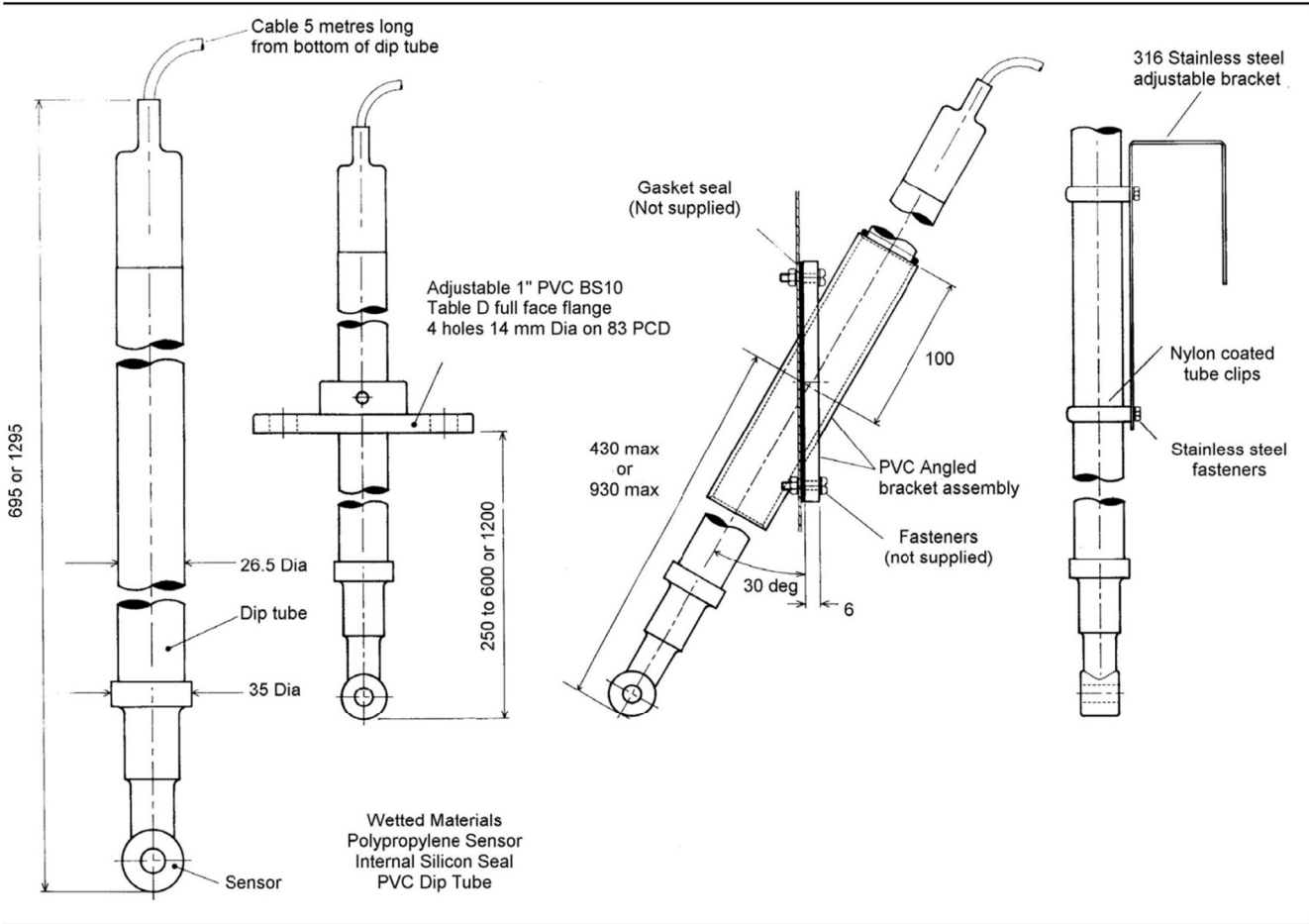


DIMENSIONS

S411/IND



S411/IND/T





SENSORS &
CONTROLLERS



ANALYZERS
& SAMPLERS



LEVEL, FLOW
& PRESSURE



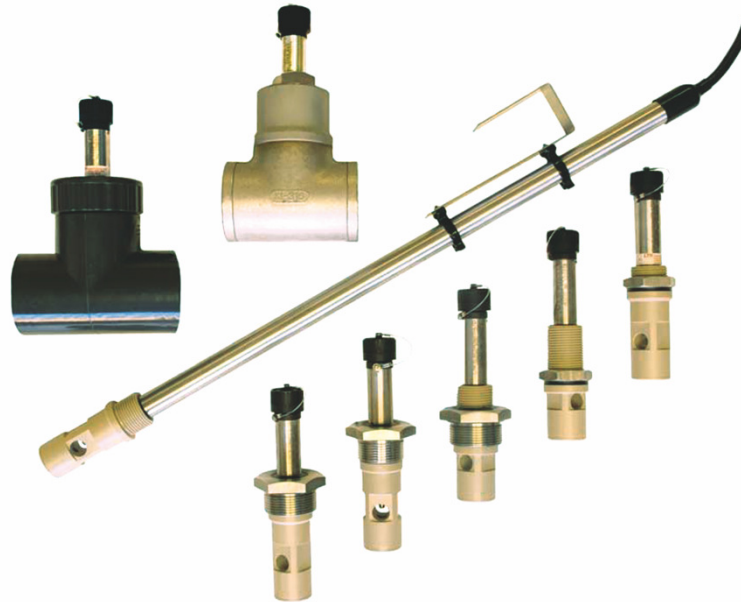
WEB APP &
DATALOGGING



ACCESSORIES

S411/IND/HT DATASHEET

ELECTRODELESS CONDUCTIVITY SENSOR



MAIN FEATURES

- Low Maintenance
- Hygienic, Inline, Dip and Tank Mounting Options
- Ideal for Brewing, Dairy, Food and Process Applications
- Conductivity and Solution Concentration Measurements
- Steam Sterilisable to 135°C, Thermal Shock Resistant
- IP67 Connection Simplifies Installation and Maintenance
- Fast Temperature Response
 $t_{90} < 10$ secs

APPLICATIONS

- Ideal for food and process applications
- Conductivity and concentration measurements
- Wide range of process connections

TECHNICAL DATA

Operating temperature	- 5 a 100°C – finish at 135°C for short periods (CIP process)
Measuring range	1000 uS...1000 mS
Temp. compensation	Temperature sensor Pt1000 with 2 wires
Cable	Disconnectable Standard 5 meters
Operating pressure	Vacuum to 10 bar (150 psi)
Materials	PEEK / AISI
Contact materials	Body PEEK – Temperature sensor INOX (PEEK on request)
Immersion length	600 or 1200 mm
Mounting	Standard bracket or optional flange
Connections	RJT 2", 2.5", 3" – Tri clamp 2", 3" – IDF/ISS 2", 2.5", 3" DIN 1185: 50 mm, 80 mm (other on request)
Protection grade	IP67