



# SD-16CHAHD-5M

16 CHANNEL 5 IN 1 STANDALONE DVR



## Key Features:

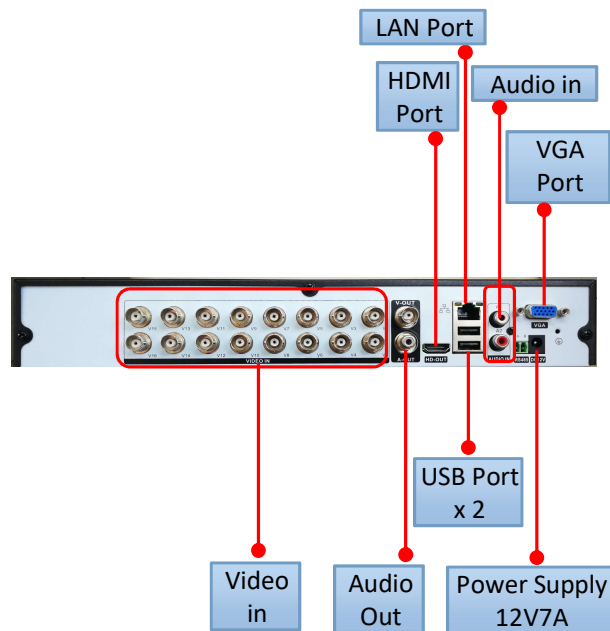
- ☑ 16CH @ 5M/4M/3M/1080P/960H/D1
- ☑ HDMI, VGA output at the same time
- ☑ Plug and Play function
- ☑ Recording, playback and audio are available in mobile phone (using XMEYE apps)
- ☑ Support mobile monitoring (iPhone, Android) and Email
- ☑ Support multi- visitors to remote checking
- ☑ Support XVI/AHD/TVI/CVI/CVBS/IP six signals

LVD FC CE

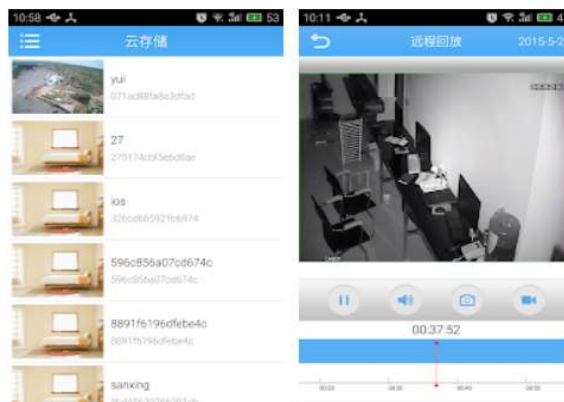
## Technical Specifications

|                      |  |
|----------------------|--|
| Operating system     | Embedded linux   |
| System resources     | Simultaneous multi-channel real-time recording, playback, network operation, |
| User interface       | support 16-bit true color graphical menu interface and mouse operation       |
| Vdideo compression   | H.264, H.265   |
| Display quality      | VGA、HDMI: 1920*1080 & 4K   |
| Playback quality     | 1080N / 960H / D1  |
| Multi-mode Input     | 16 x Analog (CVBS), CVI, TVI, AHD, Hybrid                                    |
| Record mode          | Manual > Alarm > Motion Detection > Timing                                   |
| Local playback       | 16 Channel   |
| Search mode          | Time/ calendar/ event/ channel search  |
| Backup mode          | Network backup、USB、SATA  |
| Video input          | 16CH BNC (1.0Vp-p, 75Ω)  |
| Video output         | 1CH VGA, 1CH HDMI  |
| Audio input          | 1CH RCA(200-2800mV, 30KΩ)  |
| Audio output         | 1CH RCA(200-3000mV, 5KΩ)   |
| Net interface        | RJ45 10M/100M  |
| PTZ control          | One RS485 port, support multiple PTZ protocols                               |
| USB                  | 2 x USB2.0 ports (Back interface) / 1 x USB2.0 port (Front interface)        |
| Harddisk             | 2 SATA ports (6TB maximum per one)   |
| Power supply         | 12V7A  |
| Working Temperature  | 0°C- +55°C   |
| Working Humidity     | 10%—90%  |
| Atmospheric pressure | 86kpa—106kpa   |
| Dimension            | 335*230*48mm   |
| Weight               | 2 Kg   |

## Back Panel



## Handphone App



XMEYE

\*\* Design and specification are subjected to be changed without prior notice.