



SNAP Full Function Digital Measuring Machine

QVI® SNAP™ may be the most productive machine in your shop. Advanced video imaging technology made easy. Measure entire parts at the touch of a button.

Get the Big Picture

SNAP's telecentric optics have a generous 78mm field of view, and a large focal range, allowing a wide range of part sizes and shapes to be measured. With 75mm of vertical worktable adjustment, SNAP has the measurement volume to handle a wide variety of parts.

High Definition Video

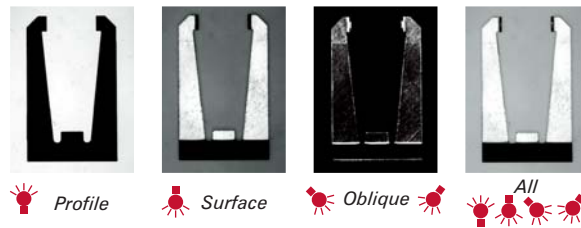
A digital megapixel camera provides high definition video images. Advanced image processing lets you zoom in on any part of the field of view to isolate and measure small details with up to 50 nanometer resolution — without moving the part.

Flexible Illumination

SNAP includes three LED lighting systems: Backlight for profile projection, square-on top light for looking into bores and cavities, and an 8-sector bi-color ring light for highlighting surface features. Get the perfect lighting for every part.



Lighting flexibility



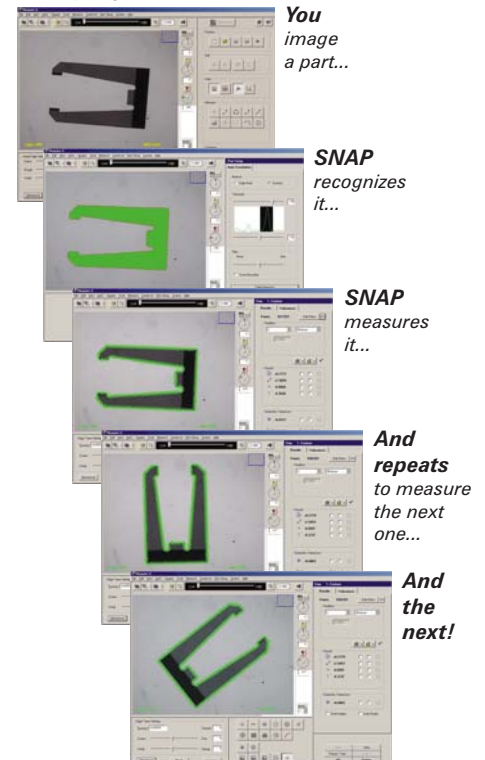
Measure-X 2D - The Ultimate in Capability

Measure-X® 2D metrology software provides a full range of feature measurements with unlimited numbers of points or measurement steps in a routine.

If a part routine is handy, just place the part and measure. Measure-X's unique Autocorrelate function allows parts to be placed in any orientation. Just place the part and press ►.

Programming is simple too. Work from a CAD drawing, sample part, or just walk up and measure - SNAP.

A simple give & take...



You image a part...

SNAP recognizes it...

SNAP measures it...

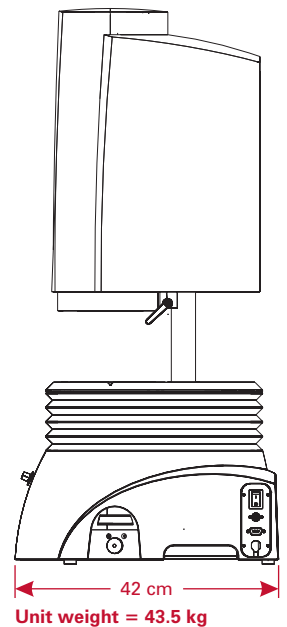
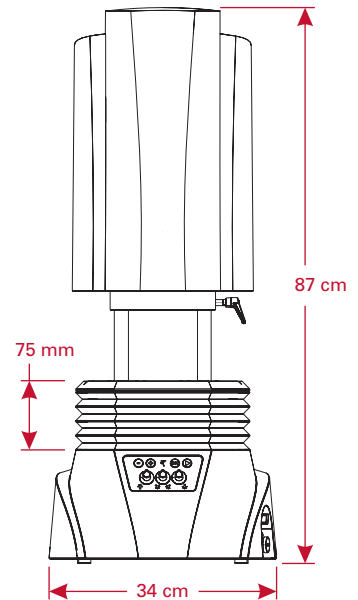
And repeats to measure the next one...

And the next!



SNAP Features & Technical Specifications

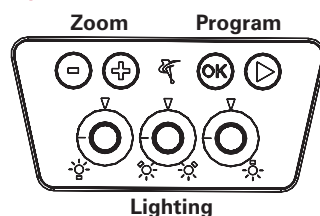
- Measuring unit** Cast aluminum base with nickel plated worktable with manually adjustable 75 mm vertical position adjustment and rotary lock
- Optics** Fully telecentric, fixed lens, calibration artifact included
- Field of View** 78 mm to 9.75 mm (diagonal), in 8 digital zoom steps
- XY Measuring Depth of Field** 38 mm at Low Mag; 4.75 mm at High Mag
- Camera** QVI digital megapixel, monochrome, pixel size 2.2 μm
- Illumination** All-LED, substage profile (green), coaxial surface (green), programmable 8-sector ring light (red, green, or combination selectable by segment)
- Controller (Minimum specs)** Intel® Quad-Core processor, 4 GB RAM, 160 GB hard drive, Windows™ 7 Operating System
- Controller accessories (optional)** Single 16:10 flat panel LCD monitor, or dual 16:10 flat panel LCD monitors; keyboard, mouse (or user supplied)
- Minimum monitor resolution** 1600x1200 on standard 4:3 monitor
1680x1050 on widescreen 16:10 monitor
1920x1080 on widescreen 16:9 monitor
- Software** Measure-X® 2D metrology software
- Image processing** SNAP advanced image analysis, 256 level grayscale, with 10:1 - 50:1 sub-pixel resolution
- Temperature** 20 \pm 2° C (Rated), 15 - 30° C (Safe Operating)
- Power** 85~264 vac, 47~63 Hz, 1 phase, 160 W
- Worktable** 2 Kg load capacity, Optical Optimizer (Z-axis worktable position feedback) for repeatable program run



	Low Mag	High Mag
Feature Size	5 μm	2 μm
Repeatability (2σ)		
Accuracy (E₂)*	10 μm + L/150*	5 μm + L/150*

*Where L = length in mm. XY axis artifact: QVI Calibration Reticle P/N 640133 positioned in the center of the FOV in the standard measuring plane. The standard measuring plane is defined as a plane 5 mm above the maximum height of the worktable.

Operator Control Panel

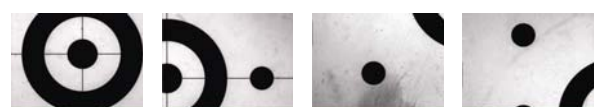


Optional Fixture Kit

Eight digital zoom magnifications



"Zoom Anywhere" capability



Available from:

RAM Optical Instrumentation



www.ramoptical.com/SNAP

Manufactured by:



Rochester, New York, USA