



Superior Clamping and Gripping



Product Information

Universal gripper PZN-plus 300

PZN-plus

Universal gripper

Reliable. Robust. Flexible. Universal gripper PZN-plus

Universal 3-finger centric gripper with high gripping force and maximum moments due to multi-tooth guidance

Field of application

multi- purpose thanks to a diverse range of accessories. Can also be used in fields of application with special requirements to the gripper (temperature, chemical resistance, dirt, and many more).

Advantages – Your benefits

Robust multi-tooth guidance for precise handling

High maximum moments possible suitable for using long gripper fingers

Wedge-hook design for high power transmission and synchronized gripping

Air supply via hose-free direct connection or screw connections for flexible pressure supply in all automated systems

Comprehensive sensor accessory program for versatile querying possibilities and stroke position monitoring

Manifold options for special optimization for your specific case of application (dustproof, high-temperature, corrosion-protected, etc.)

Fastening at one gripper side in two screw directions for universal and flexible gripper assembly



Sizes
Quantity: 11



Weight
0.13 .. 80 kg



Gripping force
255 .. 57300 N



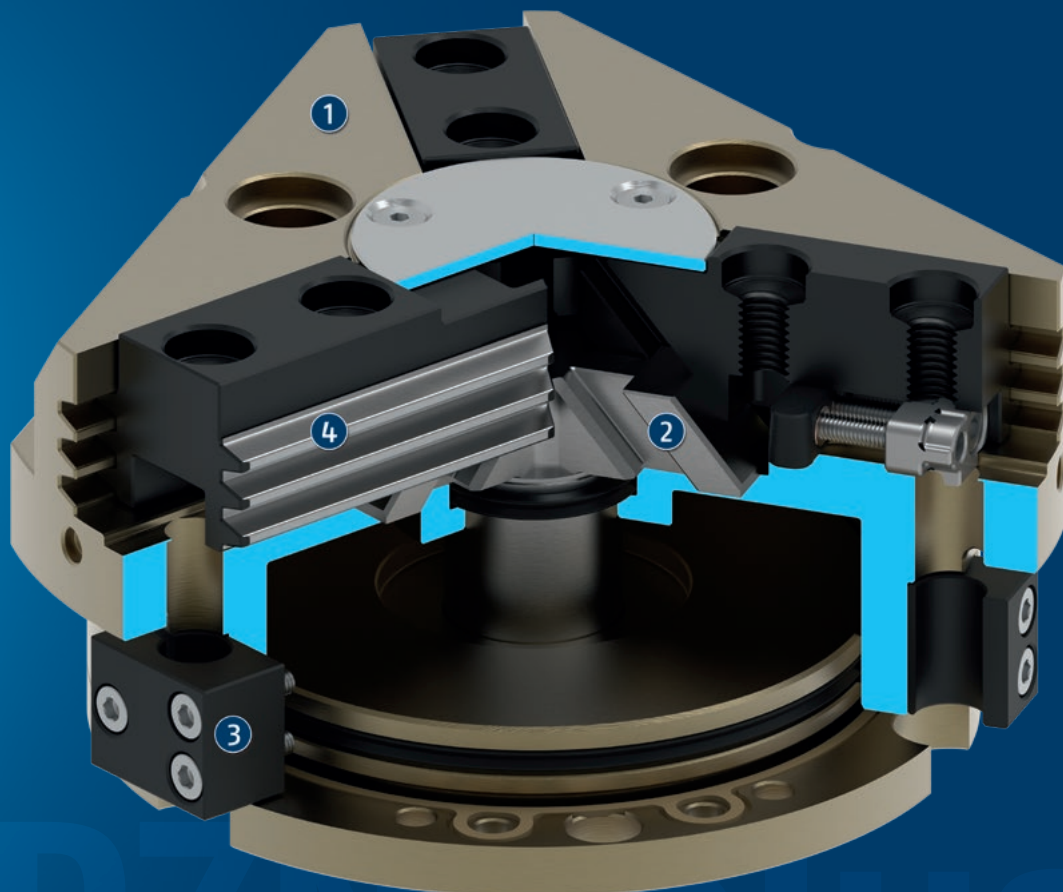
Stroke per jaw
2 .. 45 mm



Workpiece weight
1.3 .. 227 kg

Functional description

The piston is moved up and down by compressed air.
The angled active surfaces of the wedge-hook produce a synchronized, centric jaw movement.



- ① **Housing**
is weight-optimized due to the use of high-strength aluminum alloy
- ② **Wedge-hook design**
for high force transmission and centric gripping
- ③ **Sensor system**
Brackets for proximity switches and adjustable control cams in the housing
- ④ **Multi-tooth guidance**
precise gripping through base jaw guidance with a high load capacity and a minimum Play

PZN-plus

Universal gripper

General notes about the series

Operating principle: Wedge-hook kinematics

Housing material: Aluminum alloy, anodized

Base jaw material: Steel

Actuation: pneumatic, with filtered compressed air as per ISO 8573-1:2010 [7:4:4].

Warranty: 36 months

Scope of delivery: Brackets for proximity switches, centering sleeves, O-rings for direct connection, assembly instructions (operating manual with declaration of incorporation is available online)

Gripping force maintenance device: possible by using the version with mechanical gripping force maintenance or pressure maintenance valve SDV-P

Gripping force: is the arithmetic sum of the individual force applied to each jaw at distance P (see illustration).

Finger length: is measured from the reference surface as the distance P in direction to the main axis.

The maximum permissible finger length applies until the nominal operating pressure is achieved. With higher pressures, the finger length must be reduced proportionally to the nominal operating pressure.

Repeat accuracy: is defined as a distribution of the end Position for 100 consecutive strokes.

Workpiece weight: is calculated for force-fit gripping with a coefficient of static friction of 0.1 and a safety factor of 2 against workpiece slippage at acceleration due to gravity g. For form-fit or capture gripping, there are significantly higher permissible workpiece weights.

Closing and opening times: are purely the times that the base jaws or fingers are in motion. Valve switching times, hose fill times, or PLC reaction times are not included, and are to be considered when cycle times are calculated.

Cleanroom class ISO 14644-1:1999: 5

Application example

Insertion tool for assembly of small to medium-sized axes. Due to the rotary feed-through, the axes can be rotated several times infinitely ($> 360^\circ$) during the assembly process. Slip ring contacts integrated in the rotary feed-through reliably supply the gripper with power.

- 1 Rotary feed-through DDF 2
- 2 Quick-change system SWS
- 3 3-finger centric gripper PZN-plus



SCHUNK offers more ...

The following components make the product even more productive – the suitable addition for the highest functionality, flexibility, reliability, and controlled production.



Compensation unit



Universal intermediate jaw



Jaw quick-change system



Pressure maintenance valve



Inductive proximity switches



Magnetic switches



Finger blank

① For more information on these products can be found on the following product pages or at schunk.com.

Options and special information

Gripping force maintenance version AS/IS: The mechanical gripping force maintenance version ensures minimum gripping force even in the event of a pressure drop. In the AS/S version this acts as a closing force, in the IS version as an opening force.

Anti-corrosion version K: for use in corrosion-inducing atmospheres

High-temperature version VHT: for use in hot environments

Power booster version KVZ: if higher gripping forces are required

Dustproof version SD: absolutely dustproof, increased degree of protection against ingress of materials.

Precision version P: for the highest accuracy

ATEX version EX: for explosive environments

Additional versions: Various options can be combined with each other.

H1G compliant grease: for use in the food and pharmaceutical industries

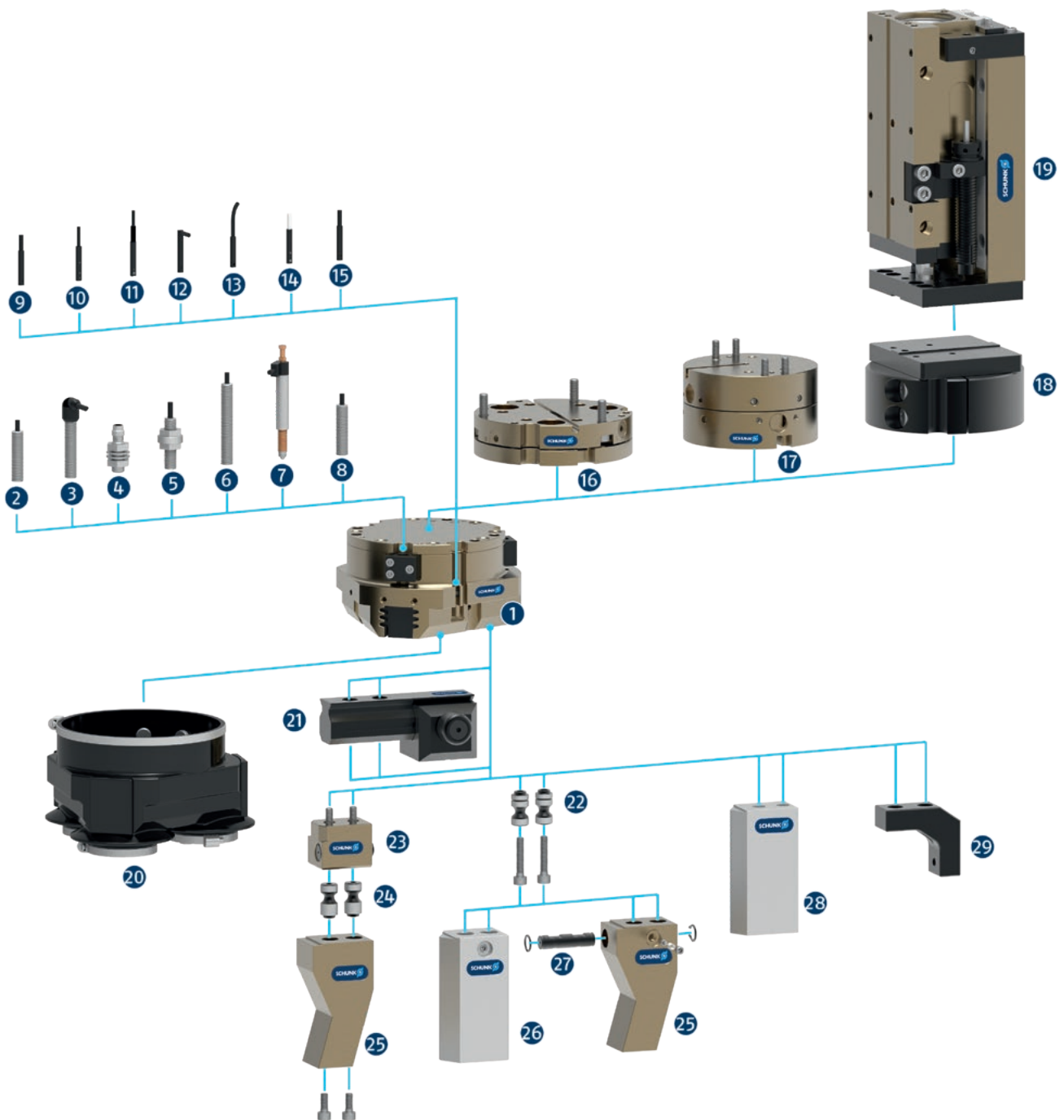
NEW: H1 grease version H1G: with H1 compliant lubrication as a solution for easy entry into medical technology, lab automation, the pharmaceutical industry and food industry

PZN-plus

Universal gripper

SCHUNK gripper PZN-plus

Overview Accessories



- 1 **PZN-plus**
Universal 3-finger centric gripper with high gripping force and maximum moments due to multi-tooth guidance

Sensor system

- 2 **IN ...**
Inductive proximity switch with molded cable and straight cable outlet
- 3 **IN ...-SA**
Inductive proximity switch with molded cable and lateral cable outlet
- 4 **IN-C 80**
Inductive proximity switch, directly pluggable
- 5 **FPS**
Flexible position sensor for monitoring up to five different, freely selectable positions
- 6 **APS-Z80**
Inductive position sensor for precise position detection of the gripper jaws with analog output
- 7 **APS-M1S**
Mechanical measuring system for precise position detection of the gripper jaw with analog output
- 8 **RMS**
Reed switch in round version
- 9 **MMS 22**
Magnetic switch with straight cable outlet for monitoring a position

MMS 22-PI1
Magnetic switch with straight cable outlet for monitoring a freely programmable position
- 10 **MMS 22-PI2**
Magnetic switch with straight cable outlet for monitoring two freely programmable positions
- 11 **MMS 22-PI1-HD**
MMS 22-PI1 in robust design

MMS 22-PI2-HD
MMS 22-PI2 in robust design
- 12 **MMS 22-SA**
Magnetic switch with lateral cable outlet for monitoring a position

MMS 22-PI1-SA
Magnetic switch with side cable outlet for monitoring a freely programmable position
- 13 **MMS-P**
Magnetic switch with straight cable outlet for monitoring two freely programmable positions
- 14 **MMS 22-A**
Analog magnetic switch with straight cable outlet for measuring the gripper jaw position with analog output and teach function

- 15 **RMS 22**
Reed switch for direct assembly in the C-slot

Complementary products

- 16 **TCU**
Tolerance compensation unit for compensating small tolerances in the plane
- 17 **AGE**
Compensation unit for compensation of large tolerances along the X and Y axes
- 18 **ASG**
Adapter plate for combining various automation components in the modular system
- 19 **CLM**
Linear module with pneumatic drive and scope-free pre-loaded junction rollers
- 20 **HUE**
Sleeve for protection against dirt

Finger Accessories

- 21 **UZB**
The universal intermediate jaw allows fast tool-free and reliable plugging and shifting of top jaws at the gripper.
- 22 **BSWS-AR**
Adapter coupling of jaw quick-change system for fast, manual change of top jaws
- 23 **BSWS-B**
Locking mechanism of the jaw quick-change system for fast, manual exchange of top jaws
- 24 **BSWS-A**
Adapter coupling of the jaw quick-change system for adaptation to the customized finger
- 25 **Customized fingers**
- 26 **BSWS-ABR**
Finger blank made of aluminum with interface to the jaw quick-change system

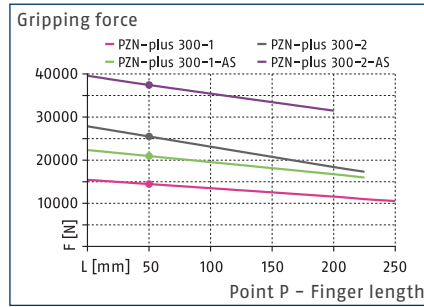
BSWS-SBR
Finger blank made of steel with interface to the jaw quick-change system
- 27 **BSWS-UR**
Locking mechanism for the integration of the jaw quick-change system into customized fingers
- 28 **ABR/SBR**
Finger blanks made of steel or aluminum with standardized screw connection diagram
- 29 **ZBA**
Intermediate jaws for reorientation of the mounting surface

PZN-plus 300

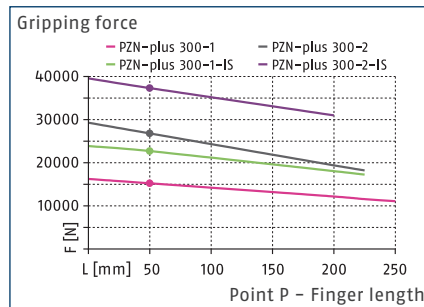
Universal gripper



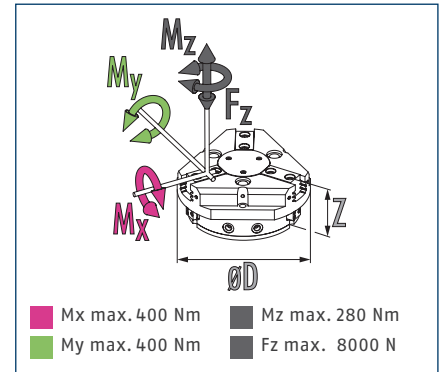
Gripping force O.D. gripping



Gripping force I.D. gripping



Dimensions and maximum loads



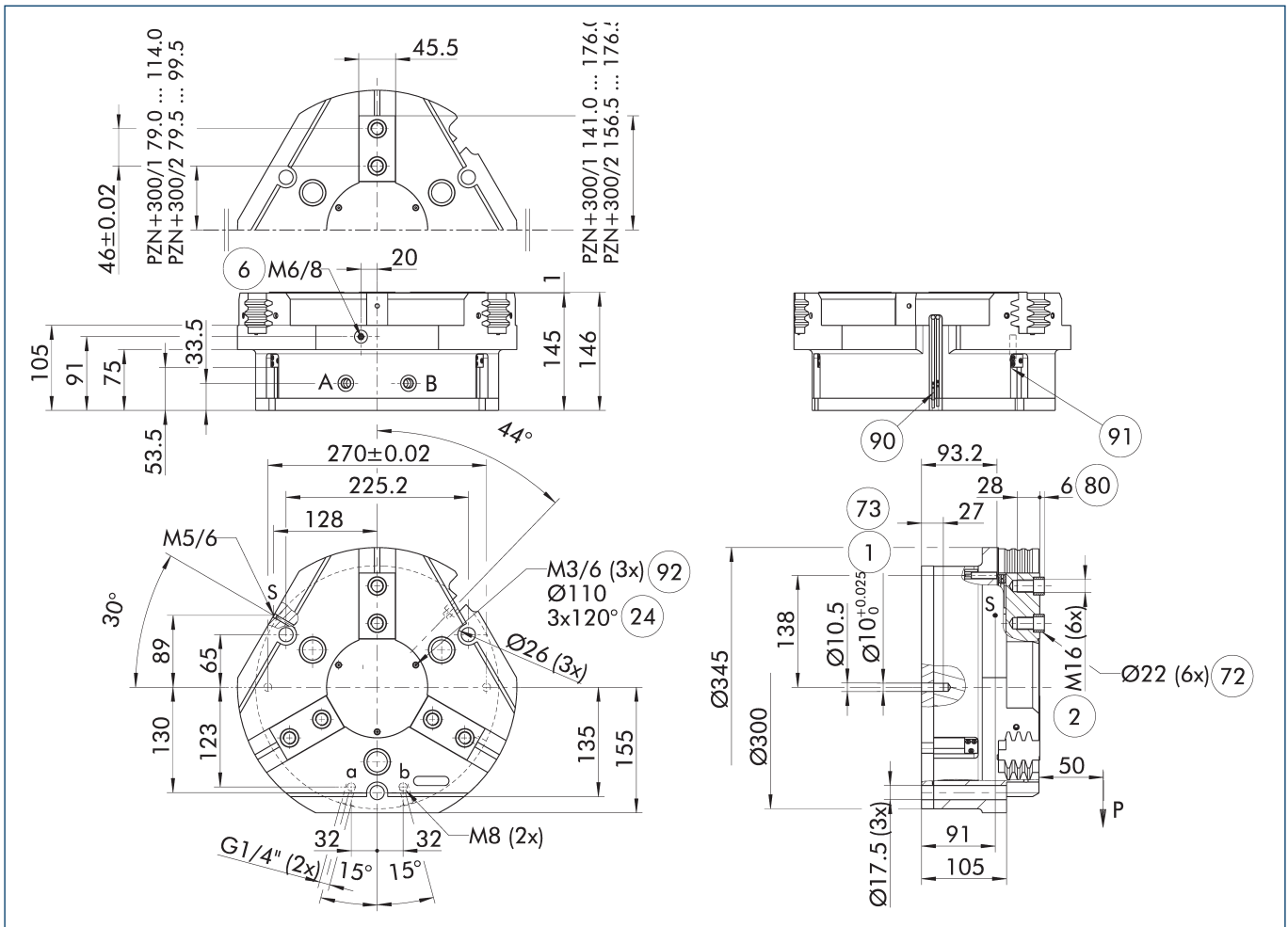
① The indicated moments and forces are statical values, apply for each base jaw and may appear simultaneously. Loads may additionally occur to the moment produced by the gripping force itself.

Technical data

Description		PZN-plus 300-1	PZN-plus 300-2	PZN-plus 300-1-AS	PZN-plus 300-2-AS	PZN-plus 300-1-IS	PZN-plus 300-2-IS
ID		0303317	0303417	0303517	0303617	0303547	0303647
Stroke per jaw	[mm]	35	20	35	20	35	20
Closing/opening force	[N]	14500/15200	25500/26800	21000/-	35500/-	-/22700	-/37300
Min. spring force	[N]			6500	10000	7500	10500
Weight	[kg]	33	33	43.5	43.5	43.5	43.5
Recommended workpiece weight	[kg]	72.5	127.5	72.5	127.5	72.5	127.5
Fluid consumption double stroke	[cm³]	2850	2850	5050	5050	5050	5050
Min./nom./max. operating pressure	[bar]	2/6/8	2/6/8	4/6/6.5	4/6/6.5	4/6/6.5	4/6/6.5
Min./max. air purge pressure	[bar]	0.5/1	0.5/1	0.5/1	0.5/1	0.5/1	0.5/1
Closing/opening time	[s]	1.3/1.3	1.3/1.3	1.2/2.5	1.2/2.5	2/1.2	2/1.2
Closing/opening time with spring	[s]			2.50	2.50	2.00	2.00
Max. permissible finger length	[mm]	250	225	225	200	225	200
Max. permissible mass per finger	[kg]	11.5	11.5	11.5	11.5	11.5	11.5
IP protection class		40	40	40	40	40	40
Min./max. ambient temperature	[°C]	5/90	5/90	5/90	5/90	5/90	5/90
Repeat accuracy	[mm]	0.05	0.05	0.05	0.05	0.05	0.05
Dimensions Ø D x Z	[mm]	345 x 146	345 x 146	345 x 196	345 x 196	345 x 196	345 x 196
Options and their characteristics							
Dustproof version		37303317	37303417	37303517	37303617	37303547	37303647
IP protection class		64	64	64	64	64	64
Weight	[kg]	35.5	35.5	46	46	46	46
Corrosion-protected version		38303317	38303417	38303517	38303617	38303547	38303647
High-temperature version		39303317	39303417	39303517	39303617	39303547	39303647
Min./max. ambient temperature	[°C]	5/130	5/130	5/130	5/130	5/130	5/130
Precision version		0303347	0303447	0303497	0303597		

① It may take a few 100 gripping cycles until the full gripping force (as indicated in the data table) will be available.

Main view



The drawing shows the gripper in the basic version with closed jaws, without dimensional consideration of the options described below.

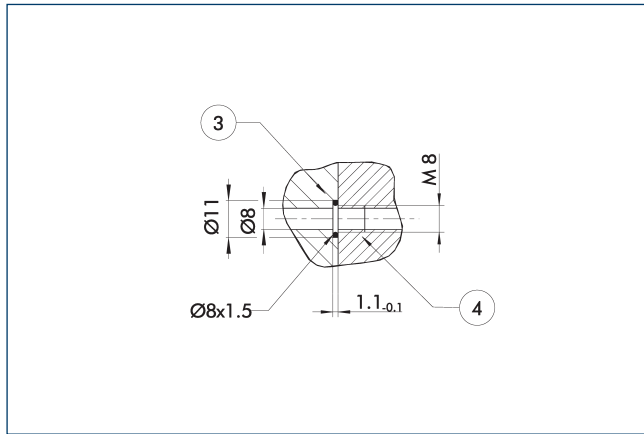
① The SDV-P pressure maintenance valve can also be used for I.D. or O.D. gripping alternatively or in addition to the spring-loaded, mechanical gripping force maintenance device (see catalog section on accessories).

- | | |
|--|--|
| A, a Main / direct connection, gripper opening | ⑦② Fit for centering sleeves |
| B, b Main / direct connection, gripper closing | ⑦③ Fit for centering pins |
| S Air purge connection | ⑧① Depth of the centering sleeve hole in the counter part |
| ① Gripper connection | ⑨① Sensor MMS 22.. |
| ② Finger connection | ⑨② Sensor IN ... |
| ⑥ Lubricating nipple connection | ⑨③ Thread below the cover for fastening external attachments |
| ②④ Bolt circle | |

PZN-plus 300

Universal gripper

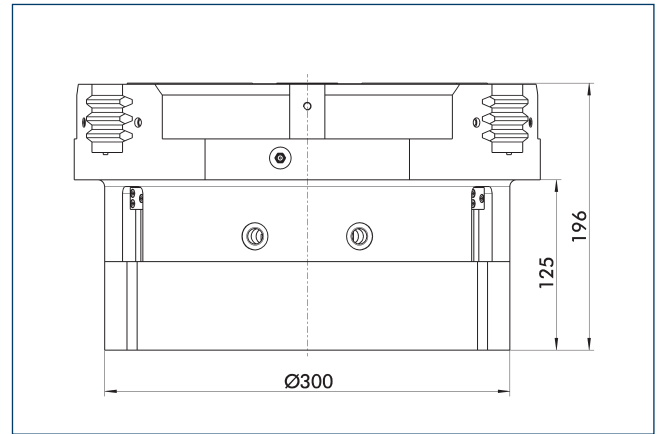
Hose-free direct connection M8



- ③ Adapter
- ④ Grippers

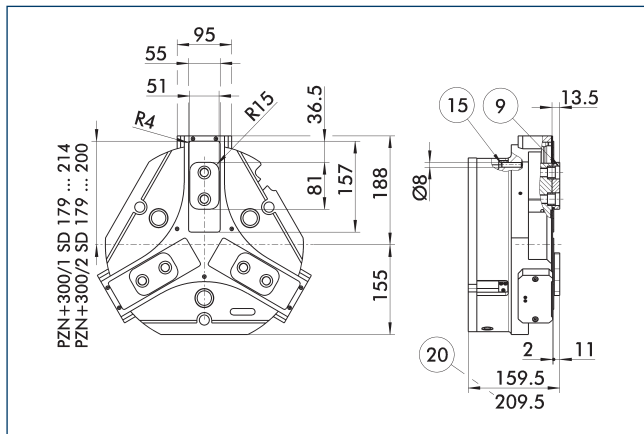
The direct connection is used for supplying compressed air without hoses. Instead, the pressure medium is fed through bore-holes in the mounting plate.

Gripping force maintenance device AS / IS



The mechanical gripping force maintenance device ensures that a minimum clamping force will be applied even if there is a drop in pressure. This acts as closing force in the AS / S version, and as opening force in the IS version. Besides this, the gripping force maintenance device can be used to increase the gripping force or for single actuated gripping.

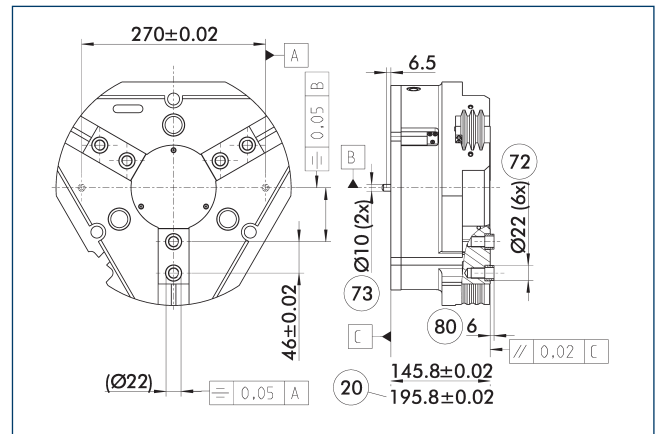
Dustproof version



- ⑨ For mounting screw connection diagram, see basic version
- ⑮ Sealing bolt
- ⑳ For AS / IS version

The "dustproof" option increases the degree of protection against penetrating substances. The assembly diagram shifts by the height of the intermediate jaw. The finger length is still measured from the upper edge of the gripper housing.

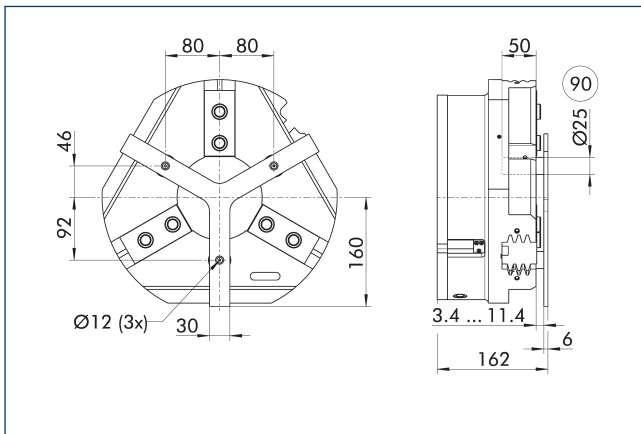
Precision version



- ⑳ For AS / IS version
- ⑦③ Fit for centering pins
- ⑦② Fit for centering sleeves
- ⑧① Depth of the centering sleeve hole in the counter part

The indicated tolerances just refer to the variants of precision versions shown in the chart of technical specifications. All other variants of precision versions are available on request.

Spring-loaded pressure piece



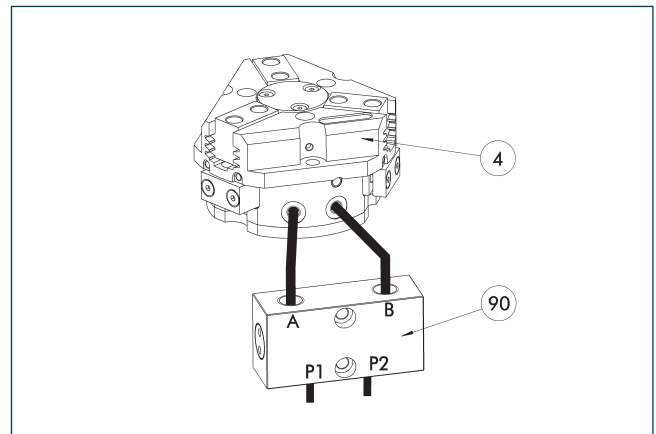
90 Guide pin

For spring-supported positioning of the workpiece against a stop after the gripper has opened. Especially developed for loading machines.

Description	ID	Stroke [mm]	Min. force [N]
Spring-loaded pressure piece			
A-PZN-plus/DPZ-plus 300	0303727	8	300

ⓘ The pressure piece cannot be combined with the dustproof option. Please contact us if you require a customized pressure piece.

SDV-P pressure maintenance valve



4 Grippers

90 SDV-P pressure maintenance valve

The SDV-P pressure maintenance valve ensures in emergency STOP situations that the pressure in the piston chamber of pneumatic gripper, swivel, linear, and quick-change modules is temporarily maintained.

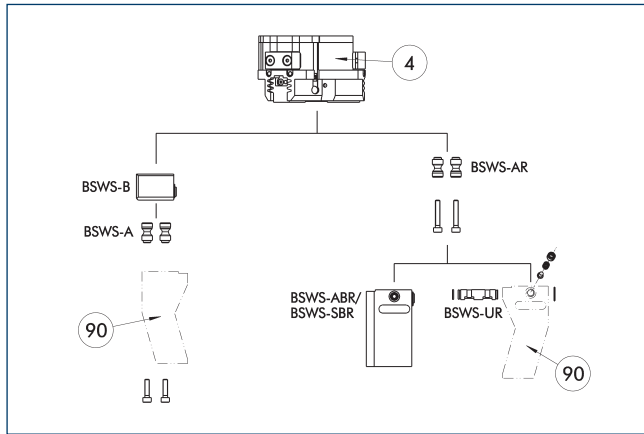
Description	ID	Recommended hose diameter [mm]
Pressure maintenance valve		
SDV-P 07	0403131	8
Pressure maintenance valve with air bleed screw		
SDV-P 07-E	0300121	8
SDV-P 10-E	0300109	10

ⓘ In order to achieve the specified closing and opening time for each gripper variant, the recommended hose diameter must be used. The direct allocation of the respective variant of the gripper for the respective SDV-P can be found at schunk.com.

PZN-plus 300

Universal gripper

BSWS jaw quick-change jaw systems



④ Grippers

⑨ Customized gripper fingers

There are various jaw quick-change systems available for the gripper. For detailed information, please refer to the corresponding product.

Description	ID	Scope of delivery
Quick-change jaw system base		
BSWS-B 300	0303037	1
Jaw quick-change system adapter pin		
BSWS-A 300	0303036	2

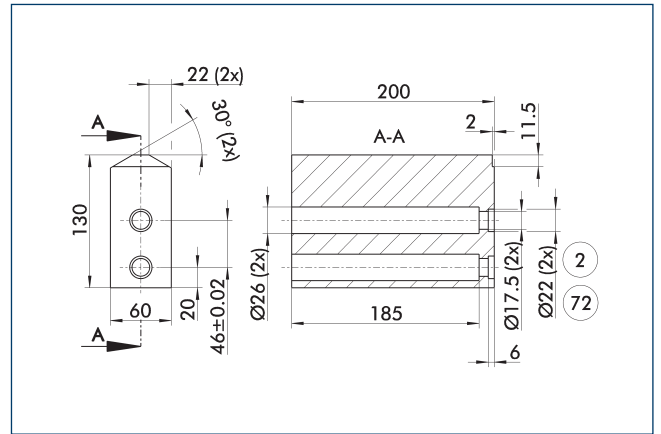
① Only systems that are listed in the table, can be used.

Fields of application

Series	Size	Variant	Suitability
PZN-plus	300	-1 (6 bar)	■■■■
PZN-plus	300	-1-AS / -1-IS (6 bar)	■■□□
PZN-plus	300	-2 (6 bar)	■■□□
PZN-plus	300	-2-AS / -2-IS (6 bar)	■■□□
Legend			
■■■■	Can be combined without restrictions		
■■□□	Use with restrictions (see loading limits)		
□□□□	cannot be combined		

The load limits for describing the application limits can be found in the catalog chapter of the corresponding accessories. If the operating pressure is higher than 6 bar, suitability for use above the application limits must be checked.

Finger blanks ABR- / SBR-PGZN-plus 300



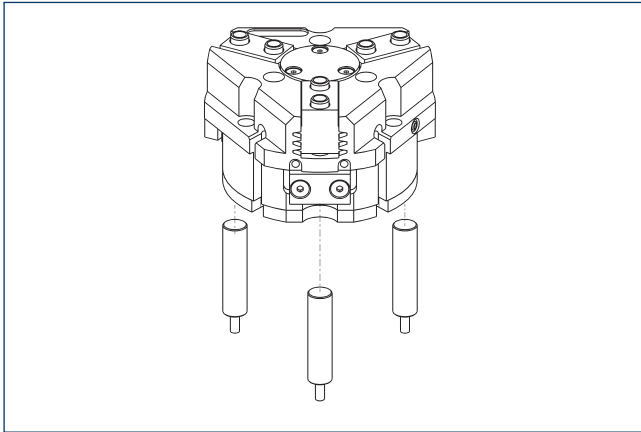
② Finger connection

⑦ Fit for centering sleeves

The drawing shows the finger blank which can be reworked by the customer.

Description	ID	Material	Scope of delivery
Finger blank			
ABR-PGZN-plus 300	0300016	Aluminum	1
SBR-PGZN-plus 300	0300026	Steel	1

Inductive Proximity Switches

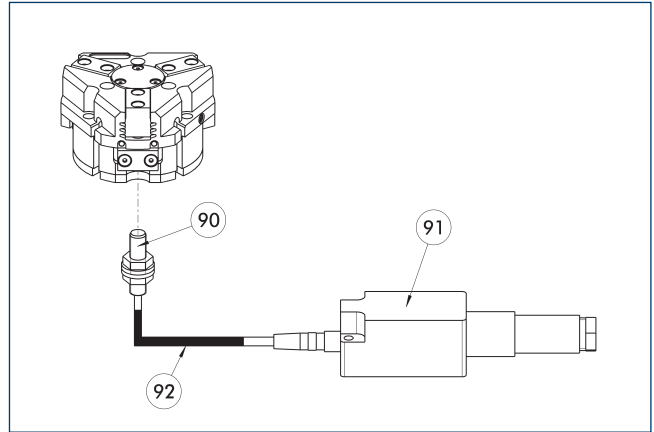


Directly mounted end position monitoring.

Description	ID	Often combined
Inductive proximity switches		
IN 80-S-M12	0301578	
IN 80-S-M8	0301478	●
INK 80-S	0301550	
Connection cables		
KA BG08-L 3P-0300-PNP	0301622	●
KA BG08-L 3P-0500-PNP	0301623	
KA BG12-L 3P-0500-PNP	30016369	
KA BW08-L 3P-0300-PNP	0301594	
KA BW08-L 3P-0500-PNP	0301502	
KA BW12-L 3P-0300-PNP	0301503	
KA BW12-L 3P-0500-PNP	0301507	
clip for plug/socket		
CLI-M12	0301464	
CLI-M8	0301463	
Cable extension		
KV BG12-SG12 3P-0030-PNP	0301999	
KV BG12-SG12 3P-0060-PNP	0301998	
KV BW08-SG08 3P-0030-PNP	0301495	
KV BW08-SG08 3P-0100-PNP	0301496	
KV BW08-SG08 3P-0200-PNP	0301497	●
KV BW12-SG12 3P-0030-PNP	0301595	
KV BW12-SG12 3P-0100-PNP	0301596	
KV BW12-SG12 3P-0200-PNP	0301597	
Sensor distributor		
V2-M12	0301776	●
V2-M8	0301775	●
V4-M8	0301746	
V8-M8	0301751	

- ① Two sensors are required per unit for monitoring two positions. On option, extension cables and sensor distributors are available. Additional product variants of the sensor, and further information and technical data can be found in the catalog chapter sensor system.

Flexible position sensor



- ⑨⑩ FPS-S sensor
 ⑨① FPS-F5 evaluation electronic
 ⑨② Cable extension

Flexible position monitoring of up to five positions.

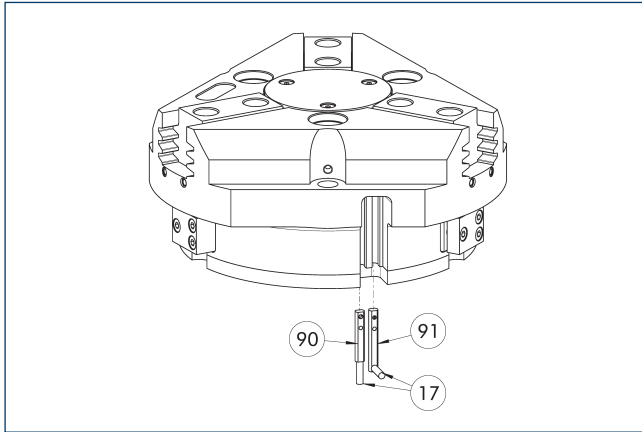
Description	ID	
Attachment kit for FPS		
AS-FPS-PGZN-plus 300-2	0301642	
Sensor		
FPS-S M8	0301704	
Evaluation electronics		
FPS-F5	0301805	
Cable extension		
KV BG08-SG08 3P-0050	0301598	
KV BG08-SG08 3P-0100	0301599	

- ① When using an FPS system, an FPS sensor (FPS-S) as well as an electronic processor (FPS-F5 / F5 T) are required for each gripper as well as a mounting kit (AS), if listed. Cable extensions (KV) are optionally available – see catalog chapter “Accessories.”

PZN-plus 300

Universal gripper

Electronic magnetic switch MMS



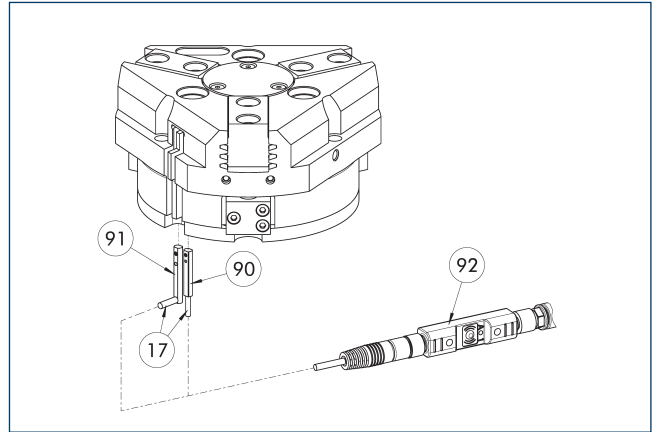
- ① Cable outlet
- ② Sensor MMS 22...-SA
- ③ Sensor MMS 22..

End position monitoring for mounting in the C-slot.

Description	ID	Often combined
Electronic magnetic switch		
MMS 22-S-M8-PNP	0301032	●
MMSK 22-S-PNP	0301034	
Electronic magnetic switches with lateral cable outlet		
MMS 22-S-M8-PNP-SA	0301042	●
MMSK 22-S-PNP-SA	0301044	
Reed Switches		
RMS 22-S-M8	0377720	●
Connection cables		
KA BG08-L 3P-0300-PNP	0301622	●
KA BG08-L 3P-0500-PNP	0301623	
KA BW08-L 3P-0300-PNP	0301594	
KA BW08-L 3P-0500-PNP	0301502	
clip for plug/socket		
CLI-M8	0301463	
Wireless sensor system		
RSS-T2	0377715	
RSS-T2-US/CA	0377717	
Cable extension		
KV BW08-SG08 3P-0030-PNP	0301495	
KV BW08-SG08 3P-0100-PNP	0301496	
KV BW08-SG08 3P-0200-PNP	0301497	●
Sensor distributor		
V2-M8	0301775	●
V4-M8	0301746	
V8-M8	0301751	

- ④ Two sensors are required per unit for monitoring two positions. On option, extension cables and sensor distributors are available. Additional product variants of the sensor, and further information and technical data can be found in the catalog chapter sensor system.

Programmable magnetic switch MMS 22-PI1



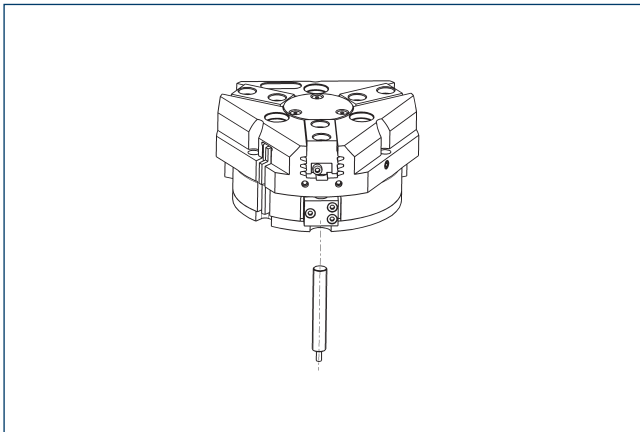
- ① Cable outlet
- ② Sensor MMS 22 ..-PI1...-SA
- ③ Sensor MMS 22 PI1...
- ④ Connector teaching tool ST

Position monitoring with one programmable switching point per sensor, directly mountable in the C-slot. The electronics are built into the sensor. The cable outlet can be located either axially or laterally (MMS 22...-SA). Programmed using the plug teaching tool ST (to be ordered separately).

Description	ID	Often combined
Programmable magnetic switch		
MMS 22-PI1-S-M8-PNP	0301160	●
MMSK 22-PI1-S-PNP	0301162	
Programmable magnetic switch with lateral cable outlet		
MMS 22-PI1-S-M8-PNP-SA	0301166	●
MMSK 22-PI1-S-PNP-SA	0301168	
Programmable magnetic switch with stainless steel housing		
MMS 22-PI1-S-M8-PNP-HD	0301110	●
MMSK 22-PI1-S-PNP-HD	0301112	
Plug teaching tool		
ST-MMS 22-PI1-PNP	0301025	

- ④ Two sensors (closer/S) are required for each unit and extension cables are available as an option.

APS-Z80 analog position sensor

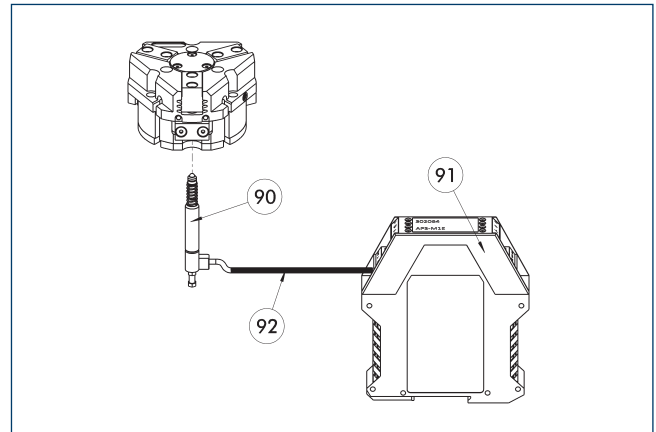


No-contact measuring, analog multi-position monitoring for any number of positions.

Description	ID	Often combined
Mounting kit for APS-Z80		
AS-APS-Z80-PGZN-plus 300-1	0302117	
AS-APS-Z80-PGZN-plus 300-2	0302118	
Analog position sensor		
APS-Z80-K	0302072	
APS-Z80-M8	0302070	●

- ① When using an APS system, one mounting kit (AS-APS-Z80) and one APS-Z80 sensor is required per gripper. The resolution of the sensor can be lower in the peripheral areas of the gripper. You can find further information on the product in the operating manual.

APS-M1 analog position sensor



- ⑨⑩ APS-M1S sensor
- ⑨① APS-M1E electronic processor
- ⑨② APS-K extension cable

Analog multi position monitoring for any desired positions

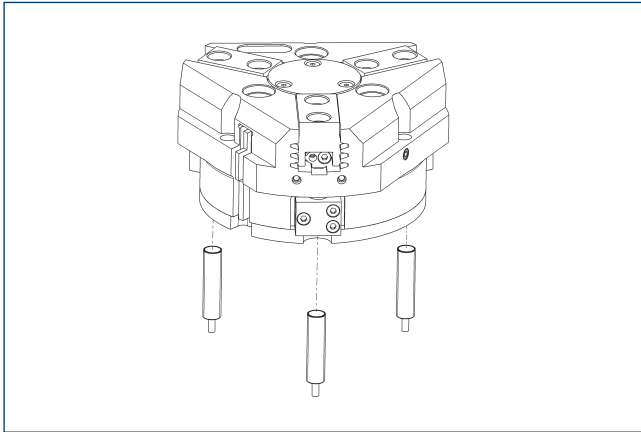
Description	ID	
Mounting kit for APS-M1		
AS-APS-M1-PGZN-plus 300-1	0302088	
AS-APS-M1-PGZN-plus 300-2	0302089	
Analog position sensor		
APS-M1S	0302062	
Connection cables		
APS-K0200	0302066	
APS-K0700	0302068	
Evaluation electronics		
APS-M1E	0302064	

- ① When using an APS system, for each gripper an attachment kit (AS-APS-M1), an APS-M1S sensor (incl. 3 m cable) as well as an electronics (APS-M1e) are required. An extension cable (APS-K) can be connected between the sensor and the electronics as an option. The max. cable length between the sensor and the electronics is 10 m, between the electronics and their control unit (PLC) it is max. 1 m.

PZN-plus 300

Universal gripper

Cylindrical reed switches



End position monitoring can be mounted with an attachment kit.

Description	ID	
Attachment kit for proximity switch		
AS-RMS 80 PGN/PZN-plus 160-380	0377727	
Reed Switches		
RMS 80-S-M8	0377721	

① Two sensors (closer/S) are required for each unit and extension cables are available as an option. This attachment kit needs to be ordered optionally as an accessory. Two mounting kits are required for each gripper. For sensor cables, note the minimum permissible bending radii. These are generally 35 mm.



SCHUNK GmbH & Co. KG
Spann- und Greiftechnik

Bahnhofstr. 106 - 134
D-74348 Lauffen/Neckar
Tel. +49-7133-103-0
Fax +49-7133-103-2399
info@de.schunk.com
schunk.com

Folgen Sie uns | *Follow us*

