

Superior Clamping and Gripping



Product Information

Angular gripper SGW

SGW

Angular gripper

Light. Fast. Flexible.

Gripper for small components SGW

Small, simple pressurized plastic angular gripper with spring return

Field of application

Universal application in clean and slightly dirty environments, with special requirements on corrosion resistance and anti-static properties of the gripping unit

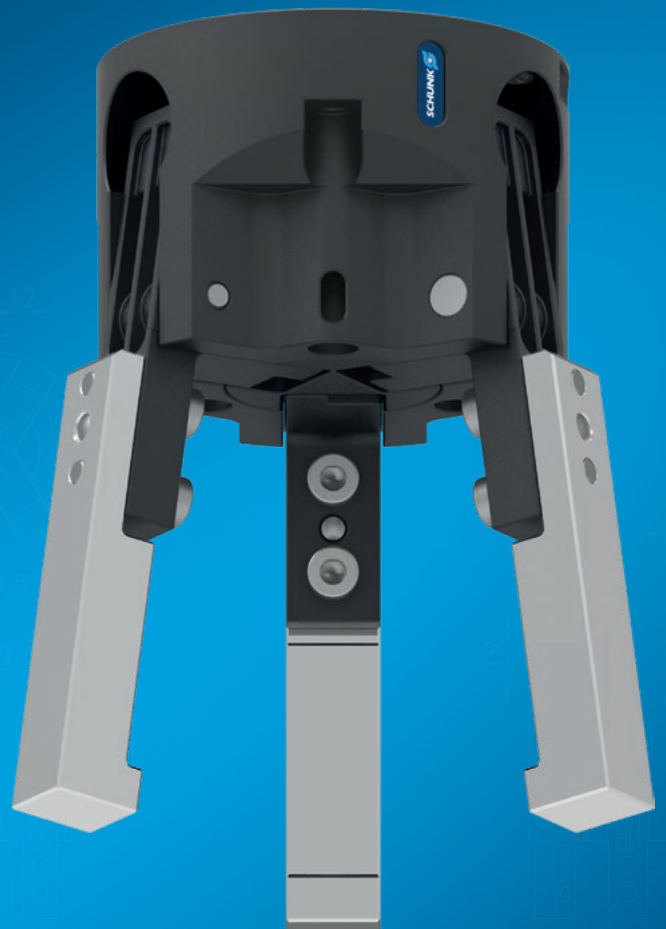
Advantages – Your benefits

Housing made of plastic Making the gripper extremely light and free from corrosion

One-way acting 3-fold piston with lever gear for high power transmission and synchronized gripping

Spring-loaded pressure piece for optional pressing and separating of workpieces

favorable in price especially suitable for low-budget applications



Sizes
Quantity: 3



Weight
0.05 .. 0.17 kg



Gripping moment
1.35 .. 7.45 Nm



Angle per jaw
8°



Workpiece weight
0.3 .. 1.3 kg

Functional description

The horizontally arranged pistons are pressed away from each other by compressed air.

The base jaws are opened at an angle and in a synchronized fashion by the bearing-mounted lever mechanism.

Reset is done by compression spring.



① **Base Jaw**
for the connection of workpiece-specific gripper fingers

② **Lever mechanism**
for precise and synchronized gripping

③ **Drive**
single-acting double piston system with spring return

④ **Housing**
weight-optimized due to the use of plastics

General notes about the series

Operating principle: one-way acting 3-fold piston with lever gear and spring reset

Housing material: Plastic with metal functional components

Base jaw material: Plastic

Actuation: pneumatic, with filtered compressed air as per ISO 8573-1:2010 [7:4:4].

Warranty: 24 months

Scope of delivery: Centering pins, O-rings for direct connection, assembly instructions (operating manual with declaration of incorporation is available online)

Gripping force maintenance device: not possible

Closing moment: is the arithmetic sum of the individual moment applied to each jaw.

Finger length: is measured from the reference surface as the distance P in direction to the main axis.

Repeat accuracy: is defined as a distribution of the end Position for 100 consecutive strokes.

Workpiece weight: is calculated for force-fit gripping with a coefficient of static friction of 0.1 and a safety factor of 2 against workpiece slippage at acceleration due to gravity g. For form-fit or capture gripping, there are significantly higher permissible workpiece weights.

Closing and opening times: are purely the times that the base jaws or fingers are in motion. Valve switching times, hose fill times, or PLC reaction times are not included, and are to be considered when cycle times are calculated.

Application example

Robot handling with gripper unit for loading and unloading of round plastic sleeves, are weight-optimized due to the use of plastic components.

① 3-finger angular gripper SGW



SCHUNK offers more ...

The following components make the product even more productive – the suitable addition for the highest functionality, flexibility, reliability, and controlled production.



Pressure maintenance valve



Inductive proximity switches

① For more information on these products can be found on the following product pages or at schunk.com.

Options and special information

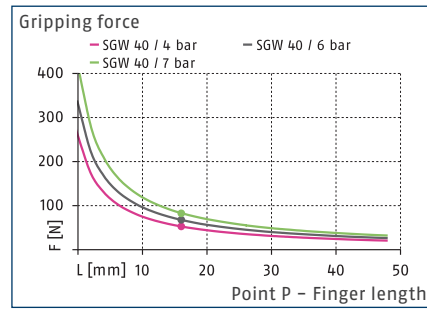
Due to the use of plastics, this gripper is characterized by a low weight.

SGW 40

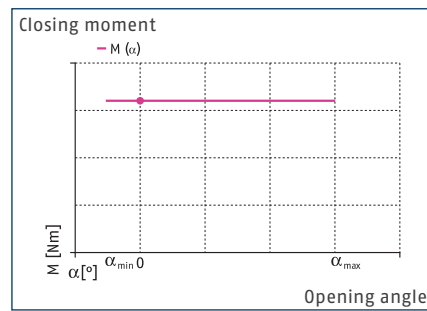
Angular gripper



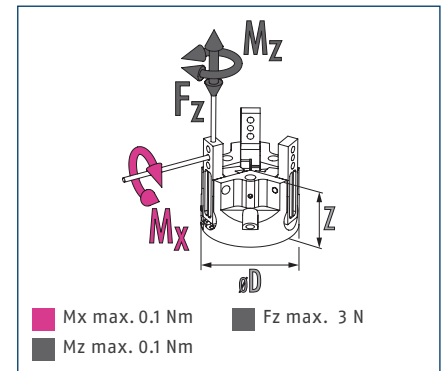
Gripping force O.D. gripping



Closing moment curve



Dimensions and maximum loads

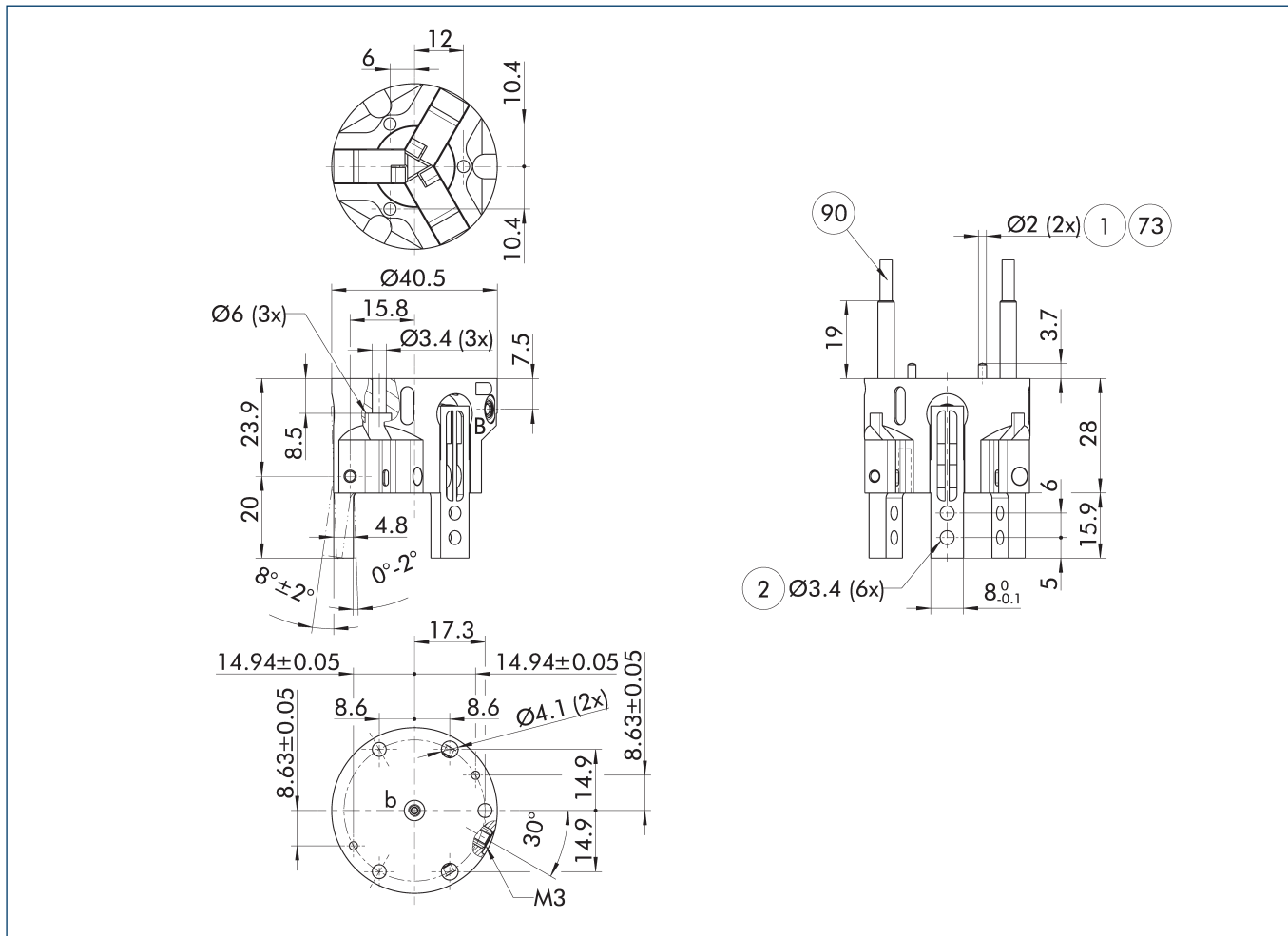


① The indicated torques and forces are static values, apply for each base jaw, and may occur simultaneously.

Technical data

Description		SGW 40
ID		0305204
Opening angle per jaw	[°]	8
Closed angle per jaw up to	[°]	2
Closing moment	[Nm]	1.35
Weight	[kg]	0.05
Recommended workpiece weight	[kg]	0.3
Fluid consumption double stroke	[cm ³]	0.5
Min./nom./max. operating pressure	[bar]	4/6/7
Closing/opening time	[s]	0.02/0.03
Max. permissible finger length	[mm]	32
Max. permissible mass per finger	[kg]	0.03
IP protection class		20
Min./max. ambient temperature	[°C]	5/90
Repeat accuracy	[mm]	0.1
Dimensions $\emptyset D \times Z$	[mm]	40.5 x 28

Main view



The drawing shows the gripper in the basic version with closed jaws, without dimensional consideration of the options described below.

⑩ The SDV-P pressure maintenance valve can be used as a gripping force maintenance device (see catalog section on accessories).

B, b Main / direct connection, gripper closing

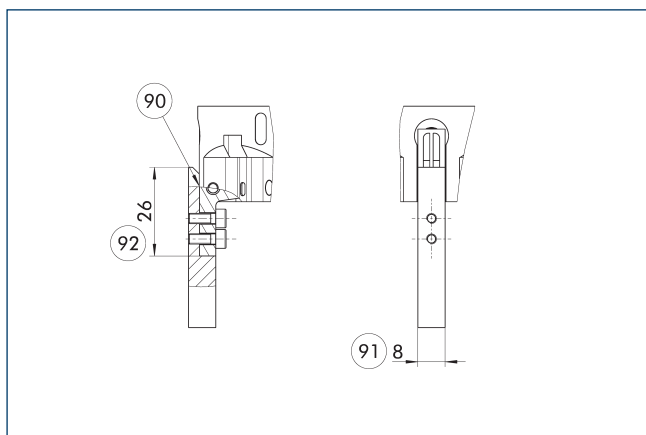
① Gripper connection

② Finger connection

⑦③ Fit for centering pins

⑨⑩ Sensor IN ...

Jaw design O.D. gripping



⑨⑩ Support of the top jaws at the base jaw

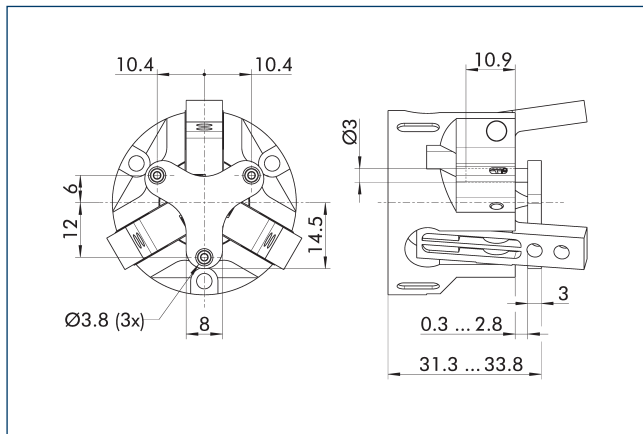
⑨① Maximum finger width

⑨② Maximum supporting length

SGW 40

Angular gripper

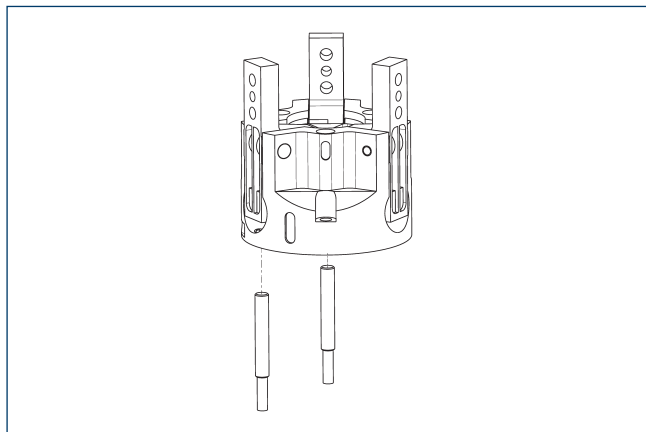
Spring-loaded pressure piece



For spring-supported positioning of the workpiece against a stop after the gripper has opened. Especially developed for loading machines.

Description	ID	Stroke [mm]	Min. force [N]
Spring-loaded pressure piece			
A-SGW 40	0305207	2.5	5

Inductive Proximity Switches



17 Cable outlet

91 Sensor IN..-SA

90 Sensor IN ...

Directly mounted end position monitoring.

Description	ID	Often combined
Inductive proximity switches		
IN 40-S-M12	0301574	
IN 40-S-M8	0301474	●
INK 40-S	0301555	
Inductive proximity switch with lateral cable outlet		
IN 40-S-M12-SA	0301577	
IN 40-S-M8-SA	0301473	●
INK 40-S-SA	0301565	
Connection cables		
KA BG08-L 3P-0300-PNP	0301622	●
KA BG08-L 3P-0500-PNP	0301623	
KA BG12-L 3P-0500-PNP	30016369	
KA BW08-L 3P-0300-PNP	0301594	
KA BW08-L 3P-0500-PNP	0301502	
KA BW12-L 3P-0300-PNP	0301503	
KA BW12-L 3P-0500-PNP	0301507	
clip for plug/socket		
CLI-M12	0301464	
CLI-M8	0301463	
Cable extension		
KV BG12-SG12 3P-0030-PNP	0301999	
KV BG12-SG12 3P-0060-PNP	0301998	
KV BW08-SG08 3P-0030-PNP	0301495	
KV BW08-SG08 3P-0100-PNP	0301496	
KV BW08-SG08 3P-0200-PNP	0301497	●
KV BW12-SG12 3P-0030-PNP	0301595	
KV BW12-SG12 3P-0100-PNP	0301596	
KV BW12-SG12 3P-0200-PNP	0301597	
Sensor distributor		
V2-M12	0301776	●
V2-M8	0301775	●
V4-M8	0301746	
V8-M8	0301751	

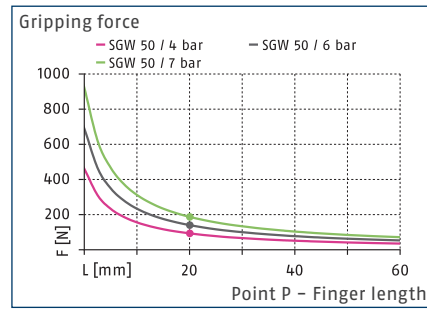
① Two sensors are required per unit for monitoring two positions. On option, extension cables and sensor distributors are available. Additional product variants of the sensor, and further information and technical data can be found in the catalog chapter sensor system.

SGW 50

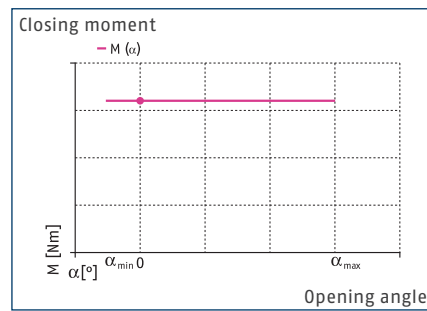
Angular gripper



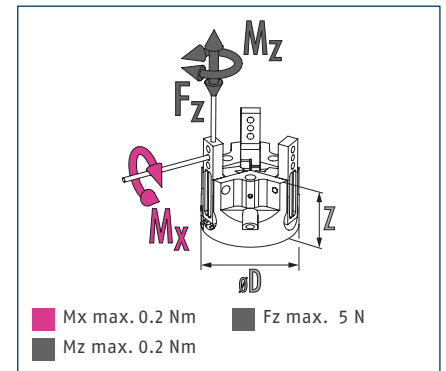
Gripping force O.D. gripping



Closing moment curve



Dimensions and maximum loads

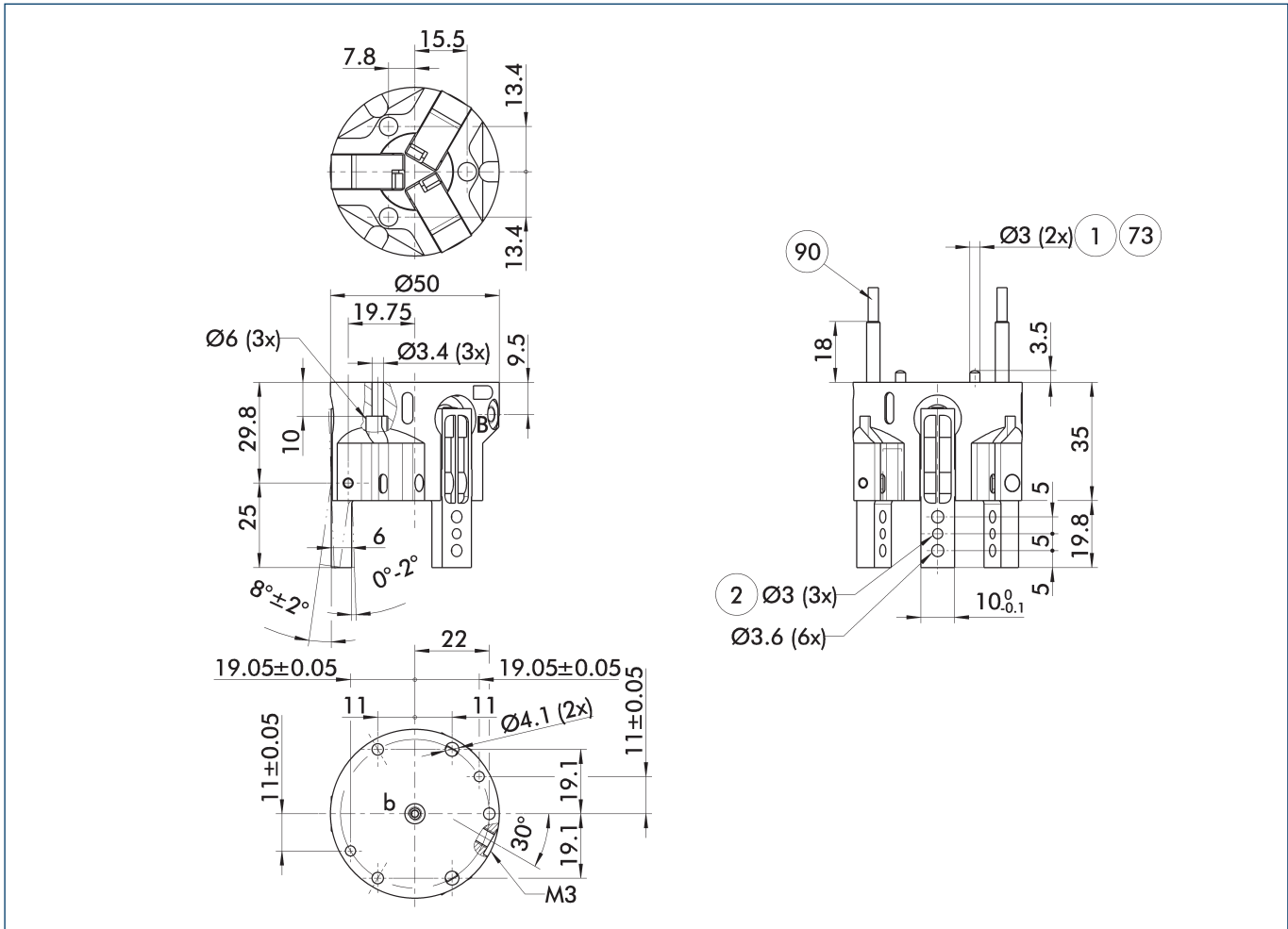


① The indicated torques and forces are static values, apply for each base jaw, and may occur simultaneously.

Technical data

Description		SGW 50
ID		0305205
Opening angle per jaw	[°]	8
Closed angle per jaw up to	[°]	2
Closing moment	[Nm]	3.55
Weight	[kg]	0.09
Recommended workpiece weight	[kg]	0.6
Fluid consumption double stroke	[cm ³]	1
Min./nom./max. operating pressure	[bar]	4/6/7
Closing/opening time	[s]	0.02/0.03
Max. permissible finger length	[mm]	40
Max. permissible mass per finger	[kg]	0.05
IP protection class		20
Min./max. ambient temperature	[°C]	5/90
Repeat accuracy	[mm]	0.1
Dimensions Ø D x Z	[mm]	50 x 35

Main view



The drawing shows the gripper in the basic version with closed jaws, without dimensional consideration of the options described below.

① The SDV-P pressure maintenance valve can be used as a gripping force maintenance device (see catalog section on accessories).

B, b Main / direct connection, gripper closing

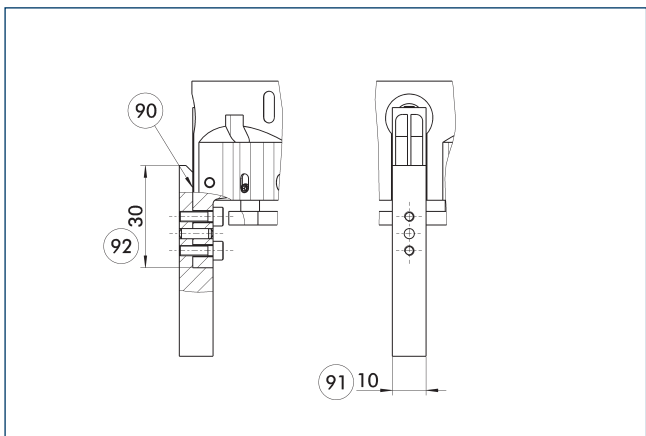
① Gripper connection

② Finger connection

⑦③ Fit for centering pins

⑨⑩ Sensor IN ...

Jaw design O.D. gripping



⑨⑩ Support of the top jaws at the base jaw

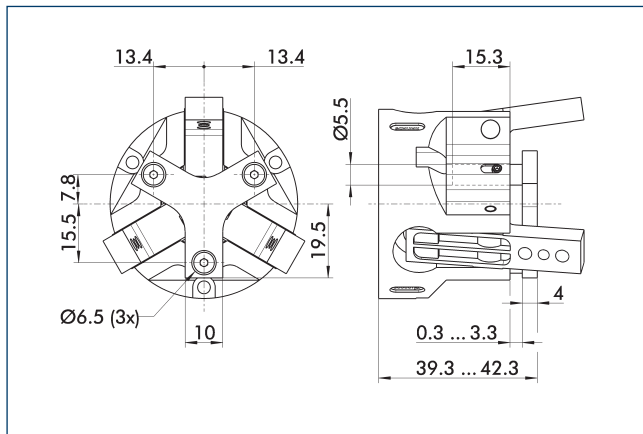
⑨① Maximum finger width

⑨② Maximum supporting length

SGW 50

Angular gripper

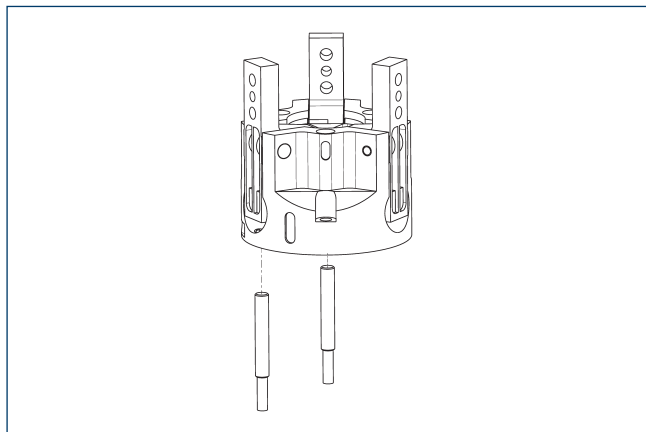
Spring-loaded pressure piece



For spring-supported positioning of the workpiece against a stop after the gripper has opened. Especially developed for loading machines.

Description	ID	Stroke [mm]	Min. force [N]
Spring-loaded pressure piece			
A-SGW 50	0305208	3	12

Inductive Proximity Switches



17 Cable outlet

91 Sensor IN..-SA

90 Sensor IN ...

Directly mounted end position monitoring.

Description	ID	Often combined
Inductive proximity switches		
IN 40-S-M12	0301574	
IN 40-S-M8	0301474	●
INK 40-S	0301555	
Inductive proximity switch with lateral cable outlet		
IN 40-S-M12-SA	0301577	
IN 40-S-M8-SA	0301473	●
INK 40-S-SA	0301565	
Connection cables		
KA BG08-L 3P-0300-PNP	0301622	●
KA BG08-L 3P-0500-PNP	0301623	
KA BG12-L 3P-0500-PNP	30016369	
KA BW08-L 3P-0300-PNP	0301594	
KA BW08-L 3P-0500-PNP	0301502	
KA BW12-L 3P-0300-PNP	0301503	
KA BW12-L 3P-0500-PNP	0301507	
clip for plug/socket		
CLI-M12	0301464	
CLI-M8	0301463	
Cable extension		
KV BG12-SG12 3P-0030-PNP	0301999	
KV BG12-SG12 3P-0060-PNP	0301998	
KV BW08-SG08 3P-0030-PNP	0301495	
KV BW08-SG08 3P-0100-PNP	0301496	
KV BW08-SG08 3P-0200-PNP	0301497	●
KV BW12-SG12 3P-0030-PNP	0301595	
KV BW12-SG12 3P-0100-PNP	0301596	
KV BW12-SG12 3P-0200-PNP	0301597	
Sensor distributor		
V2-M12	0301776	●
V2-M8	0301775	●
V4-M8	0301746	
V8-M8	0301751	

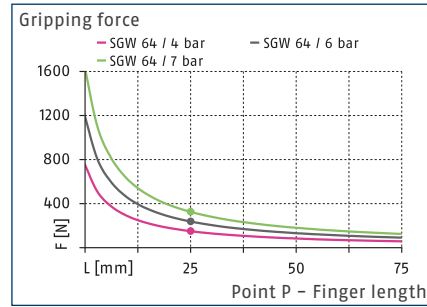
① Two sensors are required per unit for monitoring two positions. On option, extension cables and sensor distributors are available. Additional product variants of the sensor, and further information and technical data can be found in the catalog chapter sensor system.

SGW 64

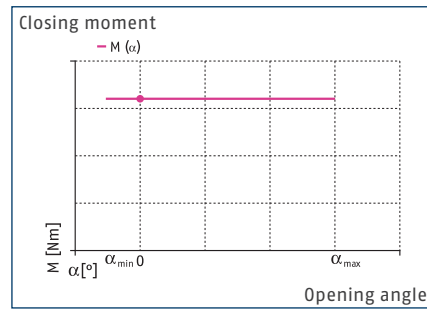
Angular gripper



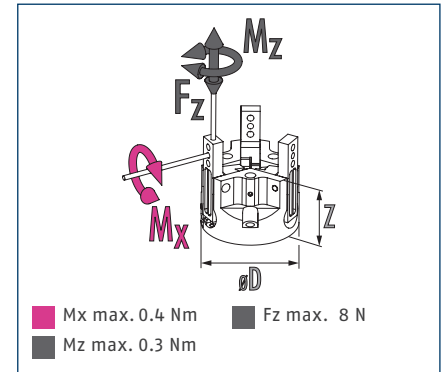
Gripping force O.D. gripping



Closing moment curve



Dimensions and maximum loads

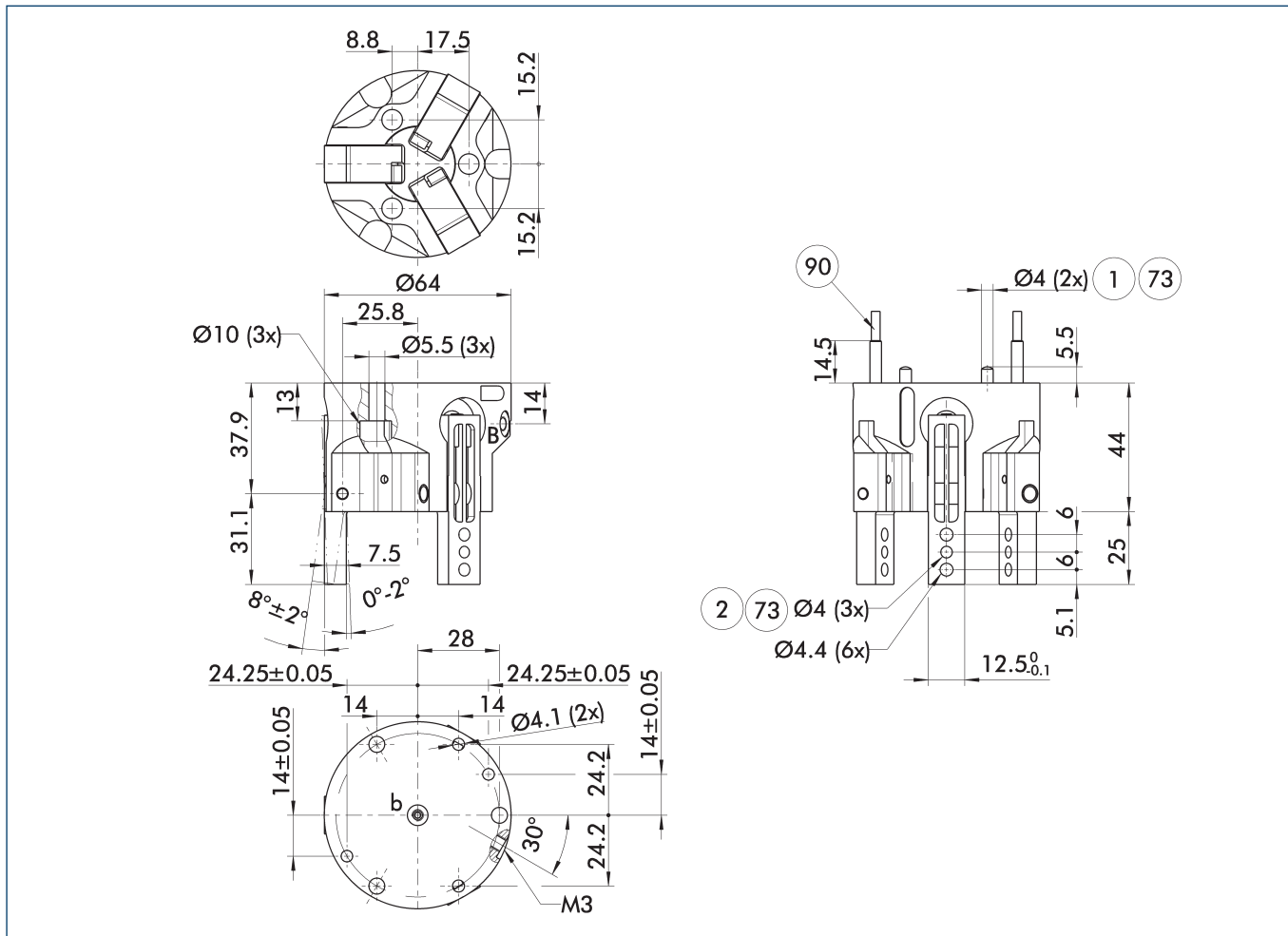


① The indicated torques and forces are static values, apply for each base jaw, and may occur simultaneously.

Technical data

Description		SGW 64
ID		0305206
Opening angle per jaw	[°]	8
Closed angle per jaw up to	[°]	2
Closing moment	[Nm]	7.45
Weight	[kg]	0.17
Recommended workpiece weight	[kg]	1.3
Fluid consumption double stroke	[cm ³]	1.8
Min./nom./max. operating pressure	[bar]	4/6/7
Closing/opening time	[s]	0.02/0.03
Max. permissible finger length	[mm]	50
Max. permissible mass per finger	[kg]	0.07
IP protection class		20
Min./max. ambient temperature	[°C]	5/90
Repeat accuracy	[mm]	0.1
Dimensions $\varnothing D \times Z$	[mm]	64 x 44

Main view



The drawing shows the gripper in the basic version with closed jaws, without dimensional consideration of the options described below.

① The SDV-P pressure maintenance valve can be used as a gripping force maintenance device (see catalog section on accessories).

B, b Main / direct connection, gripper closing

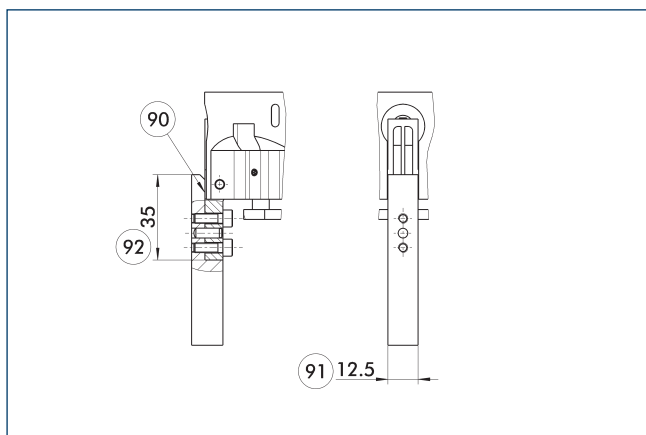
① Gripper connection

② Finger connection

⑦③ Fit for centering pins

⑨① Sensor IN ...

Jaw design O.D. gripping



⑨① Support of the top jaws at the base jaw

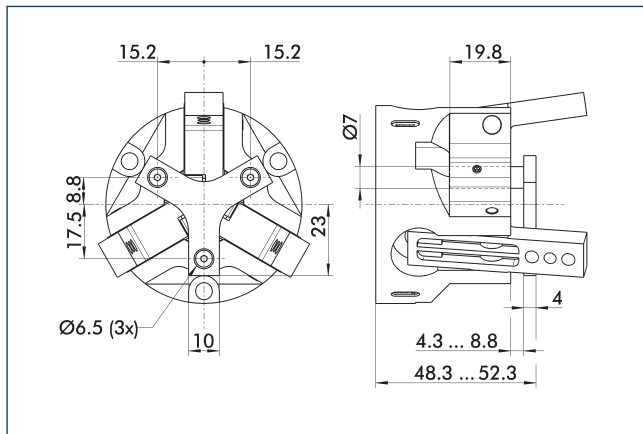
⑨① Maximum finger width

⑨② Maximum supporting length

SGW 64

Angular gripper

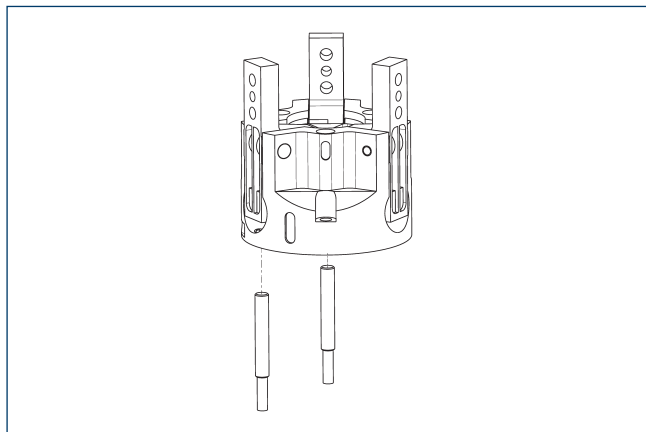
Spring-loaded pressure piece



For spring-supported positioning of the workpiece against a stop after the gripper has opened. Especially developed for loading machines.

Description	ID	Stroke [mm]	Min. force [N]
Spring-loaded pressure piece			
A-SGW 64	0305209	4	11

Inductive Proximity Switches



- ① Cable outlet
- ② Sensor IN ..-SA
- ③ Sensor IN ...

Directly mounted end position monitoring.

Description	ID	Often combined
Inductive proximity switches		
IN 40-S-M12	0301574	
IN 40-S-M8	0301474	●
INK 40-S	0301555	
Inductive proximity switch with lateral cable outlet		
IN 40-S-M12-SA	0301577	
IN 40-S-M8-SA	0301473	●
INK 40-S-SA	0301565	
Connection cables		
KA BG08-L 3P-0300-PNP	0301622	●
KA BG08-L 3P-0500-PNP	0301623	
KA BG12-L 3P-0500-PNP	30016369	
KA BW08-L 3P-0300-PNP	0301594	
KA BW08-L 3P-0500-PNP	0301502	
KA BW12-L 3P-0300-PNP	0301503	
KA BW12-L 3P-0500-PNP	0301507	
clip for plug/socket		
CLI-M12	0301464	
CLI-M8	0301463	
Cable extension		
KV BG12-SG12 3P-0030-PNP	0301999	
KV BG12-SG12 3P-0060-PNP	0301998	
KV BW08-SG08 3P-0030-PNP	0301495	
KV BW08-SG08 3P-0100-PNP	0301496	
KV BW08-SG08 3P-0200-PNP	0301497	●
KV BW12-SG12 3P-0030-PNP	0301595	
KV BW12-SG12 3P-0100-PNP	0301596	
KV BW12-SG12 3P-0200-PNP	0301597	
Sensor distributor		
V2-M12	0301776	●
V2-M8	0301775	●
V4-M8	0301746	
V8-M8	0301751	

④ Two sensors are required per unit for monitoring two positions. On option, extension cables and sensor distributors are available. Additional product variants of the sensor, and further information and technical data can be found in the catalog chapter sensor system.



SCHUNK GmbH & Co. KG
Spann- und Greiftechnik

Bahnhofstr. 106 - 134
D-74348 Lauffen/Neckar
Tel. +49-7133-103-0
Fax +49-7133-103-2399
info@de.schunk.com
schunk.com

Folgen Sie uns | *Follow us*

