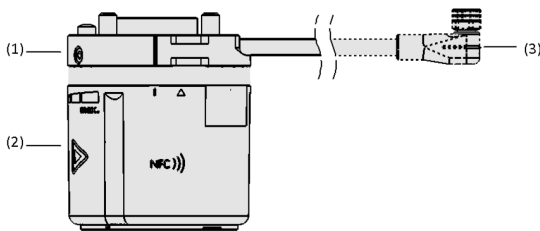


Handling Sets ECBPMi

Suction rate up to 1.6 l/min



Handling Sets ECBPMi



System Design Handling Sets ECBPMi



Handling set ECBPMi during handling of jars of cream

Suitability for Industry Specific Applications

Applications

- Ready-to-connect handling set for lightweight robots and cobots based on an electrical vacuum generator in miniature construction
- Contains the vacuum generator, flange, suction cup and connection cable
- Handling of airtight workpieces weighing up to 3 kg
- Ideal for automated handling of small parts, such as bin picking with a single suction cup
- Integration in automated machines in tight spaces

Design

- Modular adapter flange (1) including cable strain relief
- Disruption-free design adapted to the size of the robot flange
- Intuitive operation via user interface with capacitive buttons (2) and state indicator around the entire circumference
- Electrical connection cable (3)
- Includes flat and bellows suction cup

Product Highlights

- Ready-to-connect handling set for easy assembly and commissioning (plug & work)
- Various areas of application thanks to exchangeable suction cups
- Ideal for handling small workpieces with a single suction cup
- Higher payload of the robot due to low weight
- No compressed air hoses necessary thanks to electrical operation

Handling Sets ECBPMi

Suction rate up to 1.6 l/min

Ordering Data Handling Sets ECBPMi

Type	Part no.
ROB-SET ECBPMi ASSISTA	10.03.01.00546
ROB-SET ECBPMi ASSISTA	10.03.01.00579
ROB-SET ECBPMi DOOSAN	10.03.01.00580
ROB-SET ECBPMi FANUC	10.03.01.00621
ROB-SET ECBPMi FRUITCORE	10.03.01.00677
ROB-SET ECBPMi HANWHA	10.03.01.00585
ROB-SET ECBPMi OMRON	10.03.01.00605
ROB-SET ECBPMi TECHMAN	10.03.01.00566
ROB-SET ECBPMi UR	10.03.01.00512
ROB-SET ECBPMi UR	10.03.01.00593
ROB-SET PLUS ECBPMi UR	10.03.01.00617
ROB-SET PLUS ECBPMi UR	10.03.01.00618

Ordering Data Spare Parts Handling Sets ECBPMi

Spare Parts	Part no.
ECBPMi 24V-DC FK	CobotPump 10.03.01.00500
ECBPMi-RS-485 24V-DC FK	CobotPump RS-485 10.03.01.00584
SPB1 30 ED-65 G1/4-AG	Bellows suction cup 10.01.06.04530
SFF 15 EPDM-45 G1/8-AG	Flat suction cup 10.01.01.14262
ERS ECBPMi	Set of spare parts 10.03.01.00573

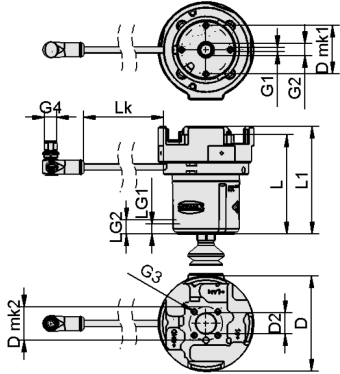
Technical Data Handling Sets ECBPMi

Type	Compatibility	Suction rate (max.) [l/min]	Degree of evacuation [%]	Voltage	Rated power [W]	Rated current [A]	Electrical connection
ROB-SET ECBPMi ASSISTA	RV-5AS	1.6	60	24V - DC	7.2	0.3	Elbow con M12, 8 pole
ROB-SET ECBPMi ASSISTA	RV-5AS-FS	1.6	60	24V - DC	7.2	0.3	Elbow con M12, 8 pole
ROB-SET ECBPMi DOOSAN	-	1.6	60	24V - DC	7.2	0.3	Elbow con M8, 8 pole
ROB-SET ECBPMi FANUC	CRX-10	1.6	60	24V - DC	7.2	0.3	Elb fem conn M8, 8 pol
ROB-SET ECBPMi FRUITCORE	HORST	1.6	60	24V - DC	7.2	0.3	Male connect M8, 4 pole
ROB-SET ECBPMi HANWHA	HCR-3	1.6	60	24V - DC	7.2	0.3	Elb fem conn M8, 8 pol
ROB-SET ECBPMi OMRON	-	1.6	60	24V - DC	7.2	0.3	Elbow con M8, 8 pole
ROB-SET ECBPMi TECHMAN	TM5-700/900	1.6	60	24V - DC	7.2	0.3	Elbow con M8, 8 pole
ROB-SET ECBPMi UR	UR3/5	1.6	60	24V - DC	7.2	0.3	Elb fem conn M8, 8 pol
ROB-SET ECBPMi UR	UR10/16	1.6	60	24V - DC	7.2	0.3	Elb fem conn M8, 8 pol
ROB-SET PLUS ECBPMi UR	UR3/5	1.6	60	24V - DC	7.2	0.3	Elb fem conn M8, 8 pol
ROB-SET PLUS ECBPMi UR	UR10/16	1.6	60	24V - DC	7.2	0.3	Elb fem conn M8, 8 pol

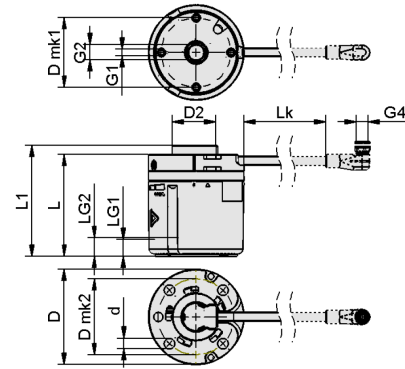
Handling Sets ECBPMi

Suction rate up to 1.6 l/min

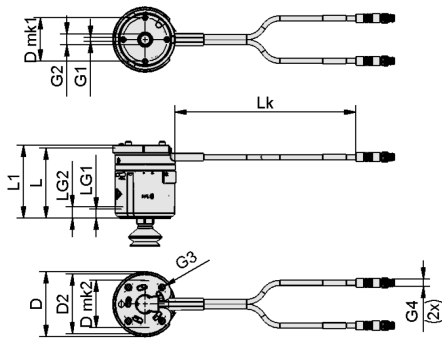
Design Data Handling Sets ECBPMi



ECBPMi ASSISTA



ECBPMi DOOSA, FANUC, HANWHA, OMRON, TECHMAN, UR



ECBPMi FRUITCORE

Handling Sets ECBPMi

Suction rate up to 1.6 l/min

Design Data Handling Sets ECBPMi

Type	D [mm]	d [mm]	D2 [mm]	D mk1 [mm]	D mk2 [mm]	G1	G2	G4	L [mm]	L1 [mm]	LG1 [mm]	LG2 [mm]	Lk [mm]
ROB-SET ECBPMi ASSISTA	90	-	20.0	46	31.5	M4-F	G1/4"-F	M12-M	88.40	96.40	6	11.5	107.0
ROB-SET ECBPMi ASSISTA	90	-	20.0	46	31.5	M4-F	G1/4"-F	M12-M	126.90	130.40	6	11.5	107.0
ROB-SET ECBPMi DOOSAN	63	7.0	31.5	46	50.0	M4-F	G1/4"-F	M8-M	67.41	73.41	6	11.5	146.0
ROB-SET ECBPMi FANUC	63	-	31.5	46	50.0	M4-F	G1/4"-F	M8-F	67.41	73.41	6	11.5	105.5
ROB-SET ECBPMi FRUITCORE	68	-	62.7	46	62.7	M4-F	G1/4"-F	M8-M	73.41	76.41	6	11.5	300.0
ROB-SET ECBPMi HANWHA	63	-	31.5	46	50.0	M4-F	G1/4"-F	M8-F	67.41	73.41	6	11.5	120.5
ROB-SET ECBPMi OMRON	63	-	31.5	46	50.0	M4-F	G1/4"-F	M8-M	67.41	73.41	6	11.5	150.5
ROB-SET ECBPMi TECHMAN	63	-	31.5	46	50.0	M4-F	G1/4"-F	M8-M	67.41	73.41	6	11.5	150.5
ROB-SET ECBPMi UR	63	-	31.5	46	50.0	M4-F	G1/4"-F	M8-F	67.41	73.41	6	11.5	120.5
ROB-SET ECBPMi UR	63	-	31.5	46	50.0	M4-F	G1/4"-F	M8-F	67.41	73.41	6	11.5	130.5
ROB-SET PLUS ECBPMi UR	63	-	31.5	46	50.0	M4-F	G1/4"-F	M8-F	67.41	73.41	6	11.5	120.5
ROB-SET PLUS ECBPMi UR	63	-	31.5	46	50.0	M4-F	G1/4"-F	M8-F	67.41	73.41	6	11.5	130.5

Multimedia product presentation

Medium

Product video

Link

<https://vimeo.com/392651543>