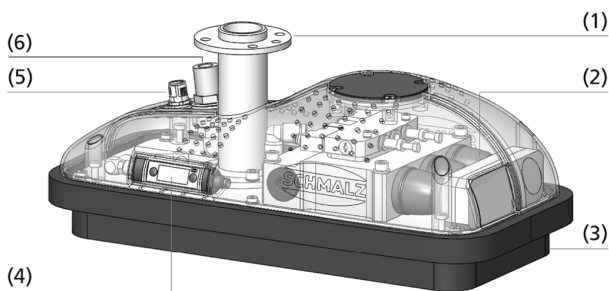


Handling Sets FXCB



Handling Sets FXCB



System Design Handling Sets FXCB



Suitability for Industry Specific Applications

Applications

- Ready-to-connect handling set for lightweight robots and cobots based on an intelligent and pneumatic area gripper
- Contains the area gripper and the required connection cable
- Low-weight handling set for handling workpieces in the area of intra-logistics
- Perfect for stationary handling tasks such as palletizing and de-palletizing cardboard boxes

Design

- Modular gripper with 3D-printed housing
- Flange (1) for mechanical connection to the lightweight robot or cobot
- Integrated vacuum generation (2) through energysaving ejector modules SEP
- Flexible sealing foam with adhesive film or suction cups (3)
- Vacuum switch VSi (4) for system monitoring
- Compressed air connection (6) and electrical connection M12-8 (5) for connection cable

Product Highlights

- High effective payload despite light, dynamic geometry thanks to additive manufacturing (3D printing)

Handling Sets FXCB

Ordering Data Handling Sets FXCB

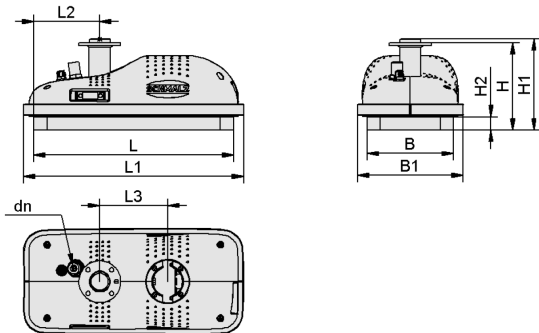
Type	Part no.
ROB-SET FXCB DOOSAN O20	10.01.43.00159
ROB-SET FXCB DOOSAN SPB2	10.01.43.00160
ROB-SET FXCB FANUC O20	10.01.43.00066
ROB-SET FXCB FANUC O20	10.01.43.00149
ROB-SET FXCB FANUC SPB2	10.01.43.00130
ROB-SET FXCB FANUC SPB2	10.01.43.00148
ROB-SET FXCB KUKA O20	10.01.43.00065
ROB-SET FXCB KUKA SPB2	10.01.43.00129
ROB-SET FXCB OMRON O20	10.01.43.00120
ROB-SET FXCB OMRON SPB2	10.01.43.00133
ROB-SET FXCB TECHMAN O20	10.01.43.00119
ROB-SET FXCB TECHMAN SPB2	10.01.43.00132
ROB-SET FXCB UR O20	10.01.43.00064
ROB-SET FXCB UR SPB2	10.01.43.00128
ROB-SET FXCB YASKAWA O20	10.01.43.00067
ROB-SET FXCB YASKAWA O20	10.01.43.00143
ROB-SET FXCB YASKAWA SPB2	10.01.43.00131
ROB-SET FXCB YASKAWA SPB2	10.01.43.00153

Technical Data Handling Sets FXCB

Type	Suction rate max. [l/min]	Material type	Number of suction cells	Load capacity (vertical) [N]	Max. load (horizontal) [N]
ROB-SET FXCB DOOSAN O20	525.9	Foam O, Height 20 mm	45	80	350
ROB-SET FXCB DOOSAN SPB2	525.9	-	15	80	350
ROB-SET FXCB FANUC O20	525.9	Foam O, Height 20 mm	45	80	350
ROB-SET FXCB FANUC SPB2	525.9	-	15	80	350
ROB-SET FXCB KUKA O20	525.9	Foam O, Height 20 mm	45	80	350
ROB-SET FXCB KUKA SPB2	525.9	-	15	80	350
ROB-SET FXCB OMRON O20	525.9	Foam O, Height 20 mm	45	80	350
ROB-SET FXCB OMRON SPB2	525.9	-	15	80	350
ROB-SET FXCB TECHMAN O20	525.9	Foam O, Height 20 mm	45	80	350
ROB-SET FXCB TECHMAN SPB2	525.9	-	15	80	350
ROB-SET FXCB UR O20	525.9	Foam O, Height 20 mm	45	80	350
ROB-SET FXCB UR SPB2	525.9	-	15	80	350
ROB-SET FXCB YASKAWA O20	525.9	Foam O, Height 20 mm	45	80	350
ROB-SET FXCB YASKAWA SPB2	525.9	-	15	80	350

Handling Sets FXCB

Design Data Handling Sets FXCB



Handling Sets FXCB

Design Data Handling Sets FXCB

Type	B [mm]	B1 [mm]	B2 [mm]	H [mm]	H1 [mm]	H2 [mm]	L [mm]	L1 [mm]	L2 [mm]	L3 [mm]
ROB-SET FXCB DOOSAN O20	130.0	159	-	131.4	137.4	20	300	331	99.0	102
ROB-SET FXCB DOOSAN SPB2	123.2	159	-	158.0	164.0	47	297	331	114.4	102
ROB-SET FXCB FANUC O20	130.0	159	-	131.4	137.4	20	300	331	99.0	102
ROB-SET FXCB FANUC SPB2	123.2	159	-	158.0	164.0	47	297	331	114.4	102
ROB-SET FXCB KUKA O20	130.0	159	-	131.4	137.4	20	300	331	99.0	102
ROB-SET FXCB KUKA SPB2	123.2	159	-	158.0	164.0	47	297	331	114.4	102
ROB-SET FXCB OMRON O20	130.0	159	-	131.4	137.4	20	300	331	99.0	102
ROB-SET FXCB OMRON SPB2	123.2	159	45	190.5	195.5	47	297	331	114.4	102
ROB-SET FXCB TECHMAN O20	130.0	159	45	163.9	168.9	20	300	331	99.0	102
ROB-SET FXCB TECHMAN SPB2	123.2	159	45	190.5	195.5	47	297	331	114.4	102
ROB-SET FXCB UR O20	130.0	159	-	131.4	137.4	20	300	331	99.0	102
ROB-SET FXCB UR SPB2	123.2	159	-	158.0	164.0	47	297	331	114.4	102
ROB-SET FXCB YASKAWA O20	130.0	159	-	131.4	137.4	20	300	331	99.0	102
ROB-SET FXCB YASKAWA SPB2	123.2	159	-	158.0	164.0	47	297	331	114.4	102