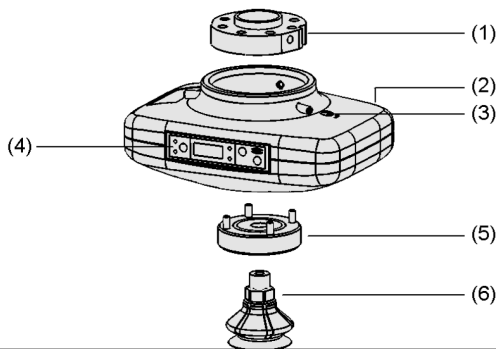


Handling sets RECB

Suction rate up to 57.2 l/min



Handling sets RECB



System Design Handling sets RECB



Suitability for Industry Specific Applications

Applications

- Handling set ready-to-connect for lightweight robots and robots based on an intelligent, pneumatic vacuum generator
- Includes the vacuum generator, flange, gripper and connection cable
- Handling of suction tight or porous and uneven workpieces, such as cardboard
- Use in fully automated processes with low cycle and evacuation times as well as in human-robot collaboration (MRK environment)

Design

- Flange adapter plate (1) for mechanical connection to the lightweight robot or cobot
- Electrical interface via cable with M12-5-pin plug connection (2)
- Connection compressed air hose; optionally also on the rear side (3)
- Integrated 7-segment display (4)
- Flange for gripper connection (5)
- Including bellows suction cups (6)

Product Highlights

- Set contains all components for the quick assembly of a gripper ready-to-connect
- Powerful, pneumatic vacuum generation enables short cycle times and high compensation of coating
- Low overall height allows mounting directly on the robot arm with minimal height limitation
- Control via digital robot outputs (I/O) or communication via IO-Link

Handling sets RECB

Suction rate up to 57.2 l/min

Ordering Data Handling sets RECB

Type	Part no.
ROB-SET RECB NC UR	10.02.03.00371

Ordering Data Spare Parts Handling sets RECB

Type	Spare Parts	Part no.
ROB-SET RECB NC UR	Set of spare parts	ERS RECB 10.02.03.00372

Ordering Data Accessories Handling sets RECB

Type	Accessories	Part no.
ROB-SET RECB NC UR	Connection cable	ASK WB-M12-5 295 WB-M8-8 21.04.05.00823

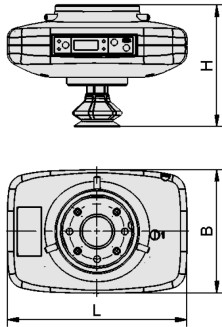
Technical Data Handling sets RECB

Type	Suction rate (max.) [l/min]	Degree of evacuation [%]	Air consumption suction [l/min]	Electrical connection	Operating temperature [°C]	Weight [g]
ROB-SET RECB NC UR	57.2	85	82	Male connect M12, 5 pol	0 ... 40 °C	790

Handling sets RECB

Suction rate up to 57.2 l/min

Design Data Handling sets RECB



Design Data Handling sets RECB

Type	Width B [mm]	Height H [mm]	Length L [mm]
ROB-SET RECB NC UR	111	109.5	162