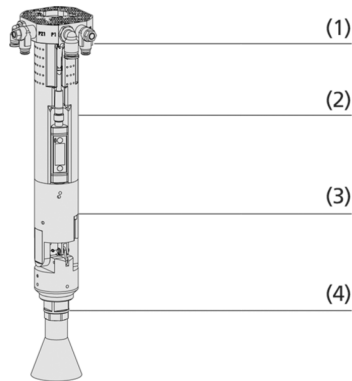


Bin Picker SBPG



Bin Picker SBPG



System Design Bin Picker SBPG



Schmalz Bin-Picker SBPG for handling deodorant spray cans

Suitability for Industry Specific Applications

Applications

- Vacuum gripper ready-to-connect for the automated "grip into the box"
- Removal from containers with a random or pre-sorted packing pattern
- Handling of freeform parts thanks to a flexible suction cup that adapts optimally to the contour of the workpiece
- The low weight makes it ideal for stationary handling tasks with collaborative robots

Design

- Flange (1) including pneumatic connections
- Basic module (2) with integrated vacuum switch VSi, pneumatic vacuum generator and silencer (optional)
- Swiveling unit (3), can be swiveled 45° on one side (optional)
- Actuator quick coupler (4)
- Interface for optional camera module (5)

Product Highlights

- Compact, efficient and easy to clean thanks to integrated vacuum generation
- Optimal sealing and holding force even when gripping corners and edges thanks to special bin picking suction cup
- Fast quality control of workpieces due to the optional swivel module
- Low weight and dynamic geometry thanks to additive manufacturing
- Safe for human robot collaboration

Bin Picker SBPG

Ordering Data Bin Picker SBPG

Type	Part no.
SBPG X PSE 50 SVE	10.01.45.00001
SBPG X 50 SVE	10.01.45.00002
SBPG M PSE 50 SVE	10.01.45.00003
SBPG M 50 SVE	10.01.45.00004
SBPG-SET X PSE QS 50	10.01.45.00011
SBPG-SET X QS 50	10.01.45.00012
SBPG-SET M PSE QS 50	10.01.45.00013
SBPG-SET M QS 50	10.01.45.00014

Ordering Data Spare Parts Bin Picker SBPG

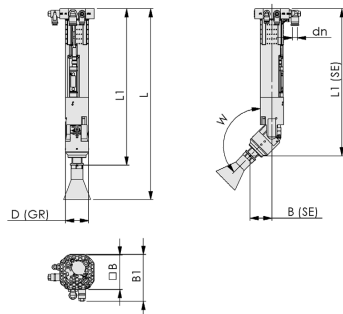
Type	Part no.
SVE 53 PU-55 G3/8-AG	- 10.01.19.00257
SWA P/Pu 45 SBPG	- 10.01.45.00008
VSi V D M8-4	- 10.06.02.00577

Ordering Data Accessories Bin Picker SBPG

Type	Part no.
VENT-BGR 24V-DC E-KETTE UR	- 10.01.45.00032
VENT-BGR 24V-DC E-KETTE UR	- 10.01.45.00033

Bin Picker SBPG

Design Data Bin Picker SBPG



Bin Picker SBPG

Design Data Bin Picker SBPG

Type	B [mm]	B1 [mm]	B (SE) [mm]	D (GR) [mm]	dn	L [mm]	L1 [mm]	L1 (SE) [mm]	W [°]
SBPG X PSE 50 SVE	67	91	43	45	8	380	312	294	135
SBPG X 50 SVE	67	88	-	45	8	336	268	-	-
SBPG M PSE 50 SVE	67	94	43	45	10	360	292	274	135
SBPG M 50 SVE	67	94	-	45	10	316	248	-	-
SBPG-SET X PSE QS 50	-	-	-	45	-	380	-	-	135
SBPG-SET X QS 50	-	-	-	45	-	336	-	-	-
SBPG-SET M PSE QS 50	-	-	-	45	-	360	-	-	135
SBPG-SET M QS 50	-	-	-	45	-	316	-	-	-