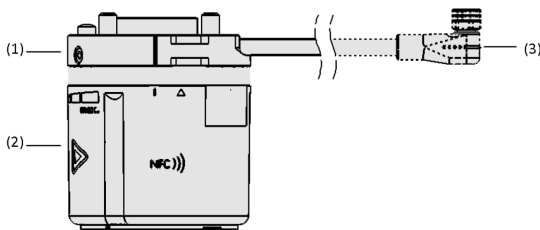


Vacuum Generators ECBPMi

Pumping speed up to 1.6 l/min



Vacuum Generators ECBPMi



System Design Vacuum Generators ECBPMi



Electric vacuum generator ECBPMi for handling cans

Suitability for Industry Specific Applications

Applications

- Electric vacuum generator for handling suction-tight workpieces
- Flexible application in lightweight robotics, human-robot collaboration (MRK environment) as well as in mobile robotics
- Simple and fast commissioning on lightweight robots thanks to intelligent software support
- Small dimensions and low weight for robots with payloads < 3kg
- Ideal for automated handling of small parts, e.g. bin-picking with a single suction gripper
- One bellows suction cup inclusive for a complete vacuum gripping system

Design

- Modular adapter flange (1) incl. cable strain relief
- Interference-free design adapted to the size of the robot flange
- Available robot integration sets (incl. all necessary parts) for plug & work integration with common lightweight robot types
- Intuitive operation via user interface with capacitive keys (2) and rotating status display
- Integrated NFC interface for commissioning and parameterization via smartphone
- Electrical connection cable (3)

Product Highlights

- Extremely compact electric vacuum generator for handling workpieces with a single suction cup
- Universal adaptation to lightweight robots or cobots using a flange adapter plate
- Simple and fast commissioning thanks to central electrical interface (Plug & Work)
- Electrical connection through external cabling or internal pins saves tubing on the robot

Vacuum Generators ECBPMi

Pumping speed up to 1.6 l/min

Designation Code Vacuum Generators ECBPMi

ECBPMi	–	24V-DC	–	M12-8
1		2		3

1 – Abbreviated designation

Code	Version
ECBPMi	Electrical CobotPump

2 – Voltage

Code	Operating voltage
24V-DC	24V-DC

3 – Electrical connection

Code	Type
M12-8	M12, 8-pin plug

The ECBPMi electric vacuum generator is supplied as a ready-to-connect product.

Ordering Data Vacuum Generators ECBPMi

Type	Part no.
ECBPMi 24V-DC M12-8	10.03.01.00556 

Ordering Data Spare Parts Vacuum Generators ECBPMi

Spare Parts	Designation 2	
-	ECBPMi 24V-DC FK	10.03.01.00500
-	SPB1 30 ED-65 G1/4-AG	10.01.06.04530
-	SFF 20 SI-55 G1/4-AG	10.01.01.14621

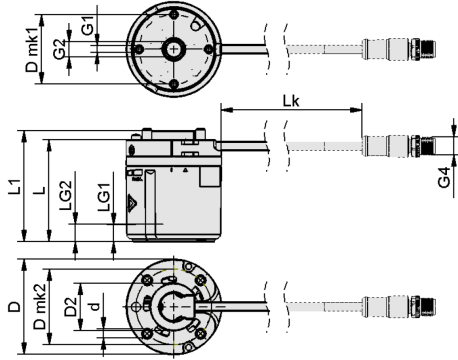
Technical Data Vacuum Generators ECBPMi

Type	Suction rate (max.) [l/min]	Rated power [W]	Voltage [V]	Rated current [A]	Operating temperature [°C]
ECBPMi 24V-DC M12-8	1.6	7.2	24V - DC	0.3	0 ... 40 °C

Vacuum Generators ECBPMi

Pumping speed up to 1.6 l/min

Design Data Vacuum Generators ECBPMi



ECBPMi

Vacuum Generators ECBPMi

Pumping speed up to 1.6 l/min

Design Data Vacuum Generators ECBPMi

Type	d [mm]	D [mm]	D2 [mm]	D mk1 [mm]	D mk2 [mm]	G1	G2	G4	L [mm]	L1 [mm]	LG1	LG2 [mm]	Lk [mm]
ECBPMi 24V-DC M12-8	7	63	31.5	46	50	M4-F	G1/4"-F	M12-M	67.41	73.41	6	11	475.5