

2°C~8°C Pharmacy/Lab Refrigerator

Intelligent Control & Constant Temperature

Multiple Alarms Bring More Security



YC-55EL / YC-75EL (smart under-counter size)

➤ Accurate Control System

High accuracy temperature controller with high sensitivity sensors, keep the temperature within 2~8°C. Display accuracy to 0.1°C.

🛡️ Refrigeration System

With renowned brand compressor and condenser, better cool performance; HCFC-FREE refrigerant ensure environmental protection & safety. Air cooling, auto-defrost, temperature uniformity within 2°C.

👤 Human-oriented Operation Design

Front opening lockable door with full height handle;
Perfect audible and visual alarms: high and low temperature alarm, sensor failure alarm, power failure alarm, door ajar alarm.
Cabinet made of high quality steel, inner side with Aluminum plate with spraying material, durable and easy to clean;
Fitted with 2casters + (2 leveling feet) ;
Standard with build-in USB datalogger, remote alarm contact and RS485 interface for monitor system.
Moval of things.





Intelligent Temperature Control

Electronic temperature controller;
The digital average temperature display facilitates observation and monitoring of temperature inside the cabinet, and the precision of temperature display reaches 0.1°C.



Security System

- The well-developed audible & visual alarm system: high/low temperature alarm, DC low battery alarm, sensor failure alarm, power failure alarm, high ambient temperature alarm, door ajar alarm etc.
- The turn-on delay and stopping interval protection function can ensure reliability in running;
- The door is equipped with a lock, preventing it from unauthorised users.



Refrigeration System

Equipped with a compressor supplied by an international famous brand, high-efficiency air-cooled condenser and finned evaporator, ensuring fast refrigeration.



(YC-55EL)



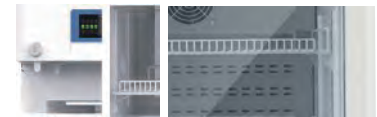
Data Storage

- Equipped with a USB export interface, which can be used for exporting data in PDF, The default time range for exporting is from the previous month to the current month
- When a U-disk is connected, temperature data can be stored continuously and automatically (data can be stored for more than 2 years);



Lighting System

Equipped with lighting system with LED lights, ensuring high visibility inside the cabinet.



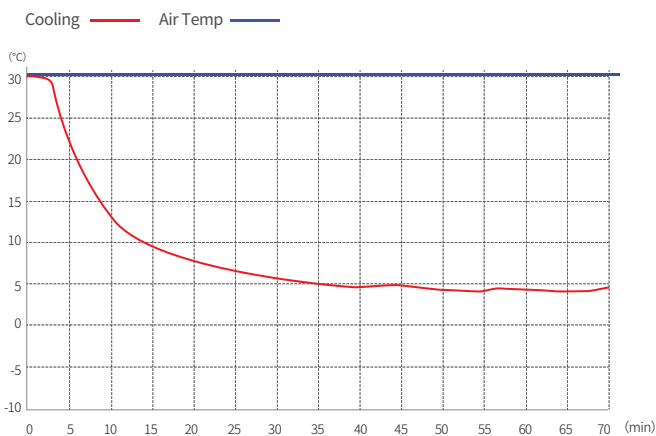
Human-oriented

- Equipped with high-quality shelves made from PVC-coated steel wire, which are easy to clean;
- Equipped with invisible door handle, ensuring elegance of appearance;
- Equipped with testing port, bringing convenience to users in testing temperature inside the cabinet.

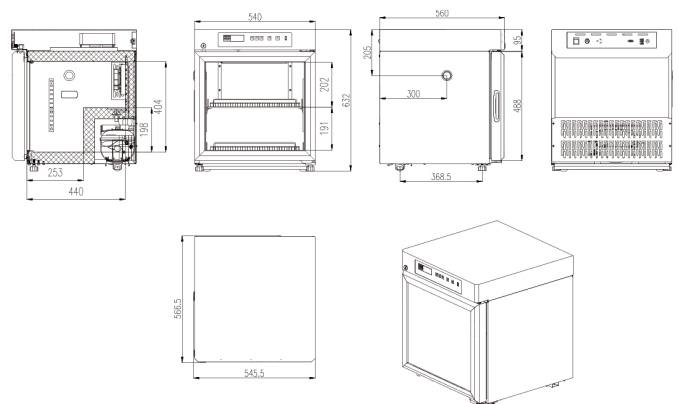
Scope of Application

Suitable for storage of biological products, vaccines, drugs, reagents, etc. Suitable for use in pharmacies, pharmaceutical factories, hospitals, centers for disease prevention & control, clinics, etc.

Performance Data / Cooling Curve



External Dimensions (YC-55EL)



Specification Chart

2~8°C Pharmacy Refrigerator		
Model	YC-55EL	YC-75EL
Cabinet Type	Upright	Upright
Capacity(L)	55	75
Internal Size(W*D*H)mm	444*440*404	444*440*536
External Size(W*D*H)mm	540*560*632	540*560*764
Package Size(W*D*H)mm	575*617*682	575*617*815
NW/GW(Kgs)	32/36	35/39
Performance		
Temperature Range	2~8°C	2~8°C
Ambient Temperature	16-32°C	16-32°C
Cooling Performance	5°C	5°C
Climate class	N	N
Controller	Microprocessor	Microprocessor
Display	Digital display	Digital display
Refrigeration		
Compressor	1pc	1pc
Cooling method	Forced air cooling	Forced air cooling
Defrost Mode	Automatic	Automatic
Refrigerant	R600a	R600a
Insulation Thickness(mm)mm	L/R:48,B:50	L/R:48,B:50
Construction		
External Material	Powder coated material	Powder coated material
Inner Material	Aluminum plate with spraying	Aluminum plate with spraying
Shelves	2(coated steel wired shelf)	3(coated steel wired shelf)
Door Lock with key	Yes	Yes
Lighting	LED	LED
Access test port	1 pc. Ø 25 mm	1 pc. Ø 25 mm
Casters	2+ (2 leveling feet)	2+ (2 leveling feet)
Data Logging/ Interval/Recording time	USB/Record every 10 minutes / 2 years	USB/Record every 10 minutes / 2 years
Alarm		
Temperature	High/Low temperature,High ambient temperature	
Electrical	Power failure , Low battery	
System	Sensor failure,Door ajar, Built-in datalogger USB Failure, Communication failure,Remote alarm	
Electrical		
Power Supply(V/HZ)	220/50	220/50
Power(W)	95	90
Current Consumption(KWh/24h)	0.57	0.71
Rated Current(A)	0.67	0.61
Standard Accessories		
System	RS485,Remote alarm contact	RS485,Remote alarm contact

*The model, parameters and performance specified in this brochure may be changed without prior notice because of product upgrading.

*There may be differences between the product images shown in this brochure and the actual products. When you are buying any product, please check the actual product.