

PAM Ammonia Premium Gauge

Description & Features

- Wide variety of measure pressure and temperature of ammonia systems
- $\pm 1.6\%$ and $\pm 3-2-3\%$ accuracy available
- 2.5" (63mm), 3.5" (90mm), 4" (100mm) dial sizes

Applications

- Used to display pressure and temperature on closed refrigeration systems



Note: RoHS applies only to SS internals

Specifications

	Accuracy: $\pm 1.6\%$	Accuracy: $\pm 3-2-3\%$
Dial Size	2.5" (63mm), 3.5" (90mm), 4" (100mm): White aluminum	2.5" (63mm), 4" (100mm): White aluminum
Case Material	2.5" (63mm), 4" (100mm): AISI 304 SS 3.5" (90mm): Steel painted black	2.5" (63mm), 4" (100mm): Steel painted black
Lens Material	Polycarbonate	Polycarbonate
Ring Material	2.5" (63mm): SS 3.5" (90mm): Steel 4" (100mm): AISI 304 SS	2.5" (63mm): Steel, painted black 4" (100mm): Plated steel
Socket	316L SS	2.5" (63mm): Steel 4" (100mm): Nickel plated steel
Connection	1/4" NPT standard	1/4" NPT standard
Bourdon Tube	316L SS, drawn seamless	316 SS
Movement	304 SS	304 SS
Pointer	Aluminum, anodized black	Aluminum, anodized black
Welding	TIG	TIG
Over-Pressure Limit	30% of full scale value	30% of full scale value
Working Pressure	Maximum 75% of full scale value	Maximum 75% of full scale value
Ambient/Process Temperature	-40°F to 150°F (-40°C to 65°C): Dry -4°F to 150°F (-20°C to 65°C): Liquid filled	-40°F to 150°F (-40°C to 65°C): Dry
Accuracy	$\pm 1.6\%$ of full scale value	$\pm 3-2-3\%$ ANSI/ASME Grade B
Enclosure Rating	IP65	IP52

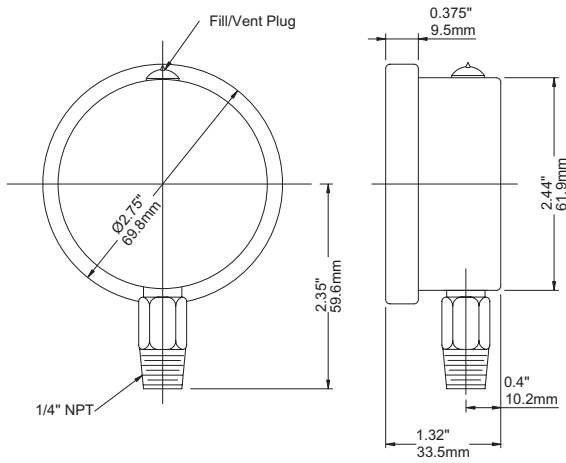
Order Information

Series/ Dial Size/ Case Materials/ Wetted Parts/ Configuration/ Connection Size/ Thread/ Range/ Option

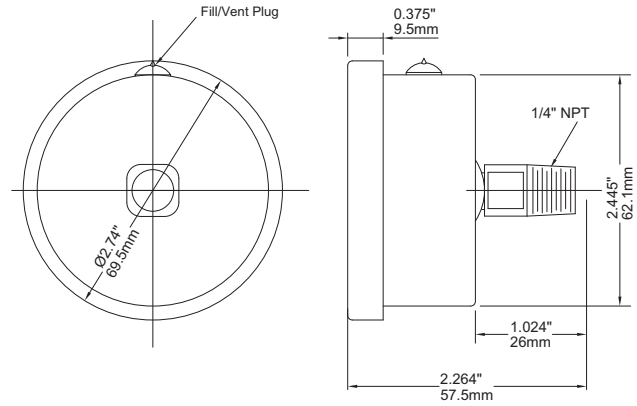
PAM Ammonia Premium Gauge

Dimensions

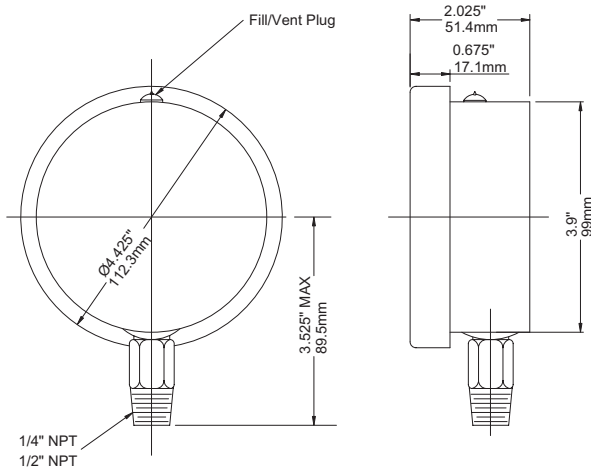
2.5" Bottom Connection - stainless steel



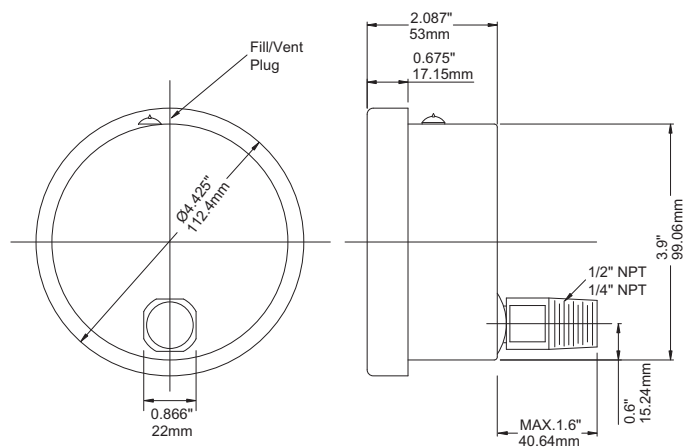
2.5" Back Connection - stainless steel



4" Bottom Connection - stainless steel



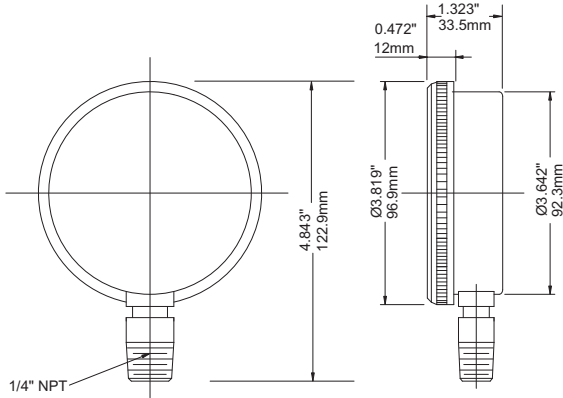
4" Back Connection - stainless steel



PAM Ammonia Premium Gauge

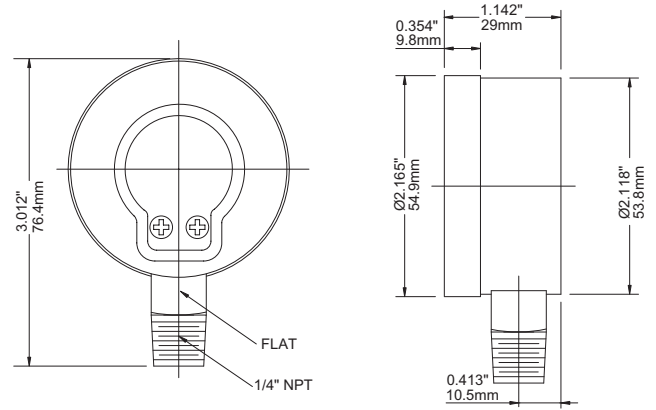
Accuracy: ±1.5%

3.5" Bottom Connection

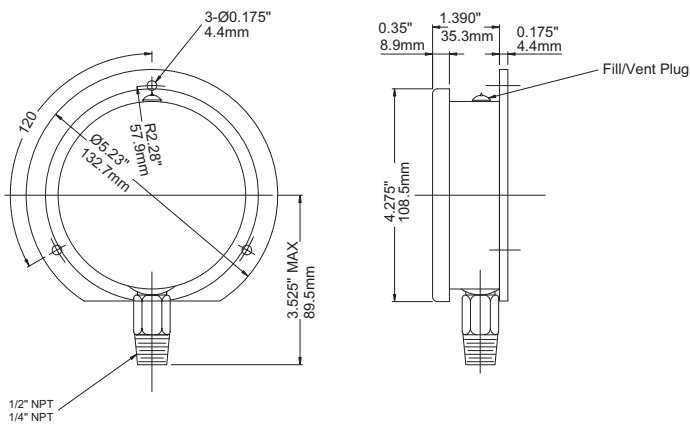


Accuracy: ±3-2-3%

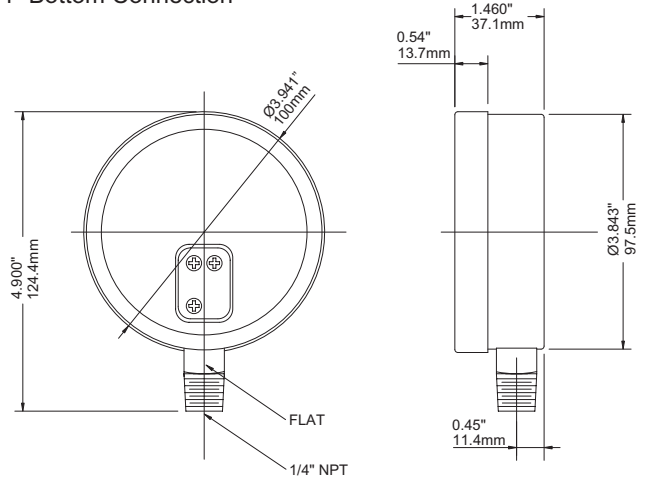
2.5" Bottom Connection



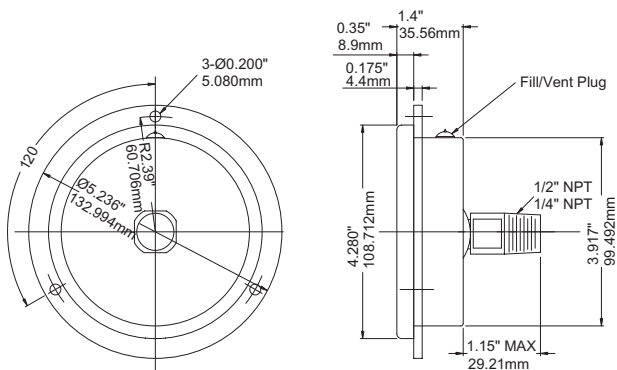
4" Bottom Connection with Back Flange



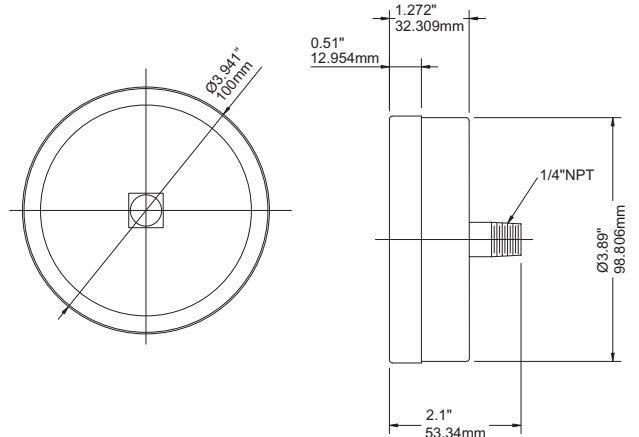
4" Bottom Connection



4" Back Connection with Front Flange



4" Back Connection



PAM Ammonia Premium Gauge

Ordering Code PAM Series

Field No.	Code	Specifications						
1.	PAM	Series						
		Accuracy						
2.	SG	±1.6%						
	S6	±3-2-3%						
		Dial Size						
3.	25	2.5" (63mm)						
	35	3.5" (90mm)						
	40	4.0" (100mm)						
		Case Materials						
4.	T	304 SS						
	Y	Steel painted black						
		Ring						
5.	T	304 SS						
	P	Plastic						
	Y	Steel painted black						
		Configuration						
6.	A	Bottom connection, stem mounting						
	B	Bottom connection, back flange, surface mounting						
	D	Back connection, stem mounting						
	F	Back connection, wide front flange, (drilled) panel mounting						
	Z	Special						
		Connection Size						
7.	8N	1/4" NPT						
	2N	1/2" NPT						
8.		Range (XXXX)						
		Standard Ranges						
	psi	30"/0/150/°F						
		30"/0/300/°F						