

Specific&Performance

- Range: From vacuum to 0...1000 psi
- Sanitary connection meeting 3A requirements
- Gauge and diaphragm welded together
- Surface roughness $Ra \leq 0.8\mu m$
- 3A approval, CRN approval

Application

- Food&Beverage
- Bioengineering
- Pharmaceutical machine



Specification

Dial size	2.5", 4"		
Accuracy (25°C)	2.5" dial	4" dial	
	1.6% of F.S	1.0% of F.S	
Case material	304SS		
Bourdon tube	316SS		
Wetted parts	316LSS surface roughness $Ra \leq 0.8\mu m$		
Pointer	Aluminum painted black with zero setting screw		
Dial	Aluminum painted white with black word		
Window material	PC lens(standard), glass or safety glass(option)		
Temperature range	Ambient	Medium	Storage
	-20...70 °C	-20...120 °C CIP, 150 °C, 1 hour	-40...70 °C
Pressure limitation	Pressure range ≤ 600 psi		Pressure range > 600 psi
	Steady: 100% FS		Steady: 90%FS
	Fluctuation: 85%FS		Fluctuation: 70%FS
	Short time: 125%FS		Short time: 115%FS
IP protection	IP65 EN 60529		
Temperature drift	Max $\pm 0.04\%$ F.S/°C Refer at 25 °C		
Standard unit	Single scale: MPa, kPa, bar, kg/cm ² , psi Dual scale: bar/psi, psi/bar, MPa/psi, psi/MPa, kpa/psi, psi/kpa Others please contact with us		

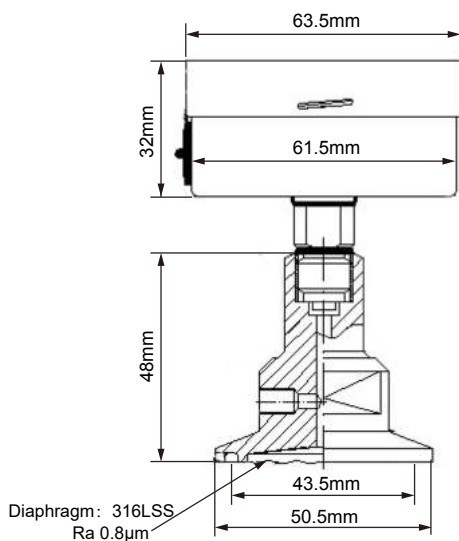
Pressure range

Standard range

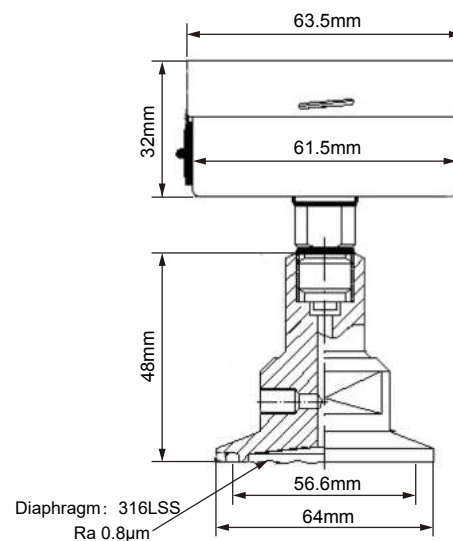
bar, bar/psi	MPa, MPa/psi	kPa, kPa/psi	psi, psi/bar, psi/MPa, psi/kPa
-1-1.5	-0.1-0.15	-100-150	-30" Hg-0-30
-1-3	-0.1-0.3	-100-300	-30" Hg-0-60
-1-5	-0.1-0.5	-100-500	-30" Hg-0-100
-1-9	-0.1-0.9	-100-900	-30" Hg-0-150
-1-15	-0.1-1.5	-100-1500	-30" Hg-0-300
-1-24	-0.1-2.4	-100-2400	0-30
0-1.6	0-0.16	0-160	0-60
0-2.5	0-0.25	0-250	0-100
0-4	0-0.4	0-400	0-160
0-6	0-0.6	0-600	0-200
0-10	0-1	0-1000	0-300
0-16	0-1.6	0-1600	0-600
0-25	0-2.5	0-2500	0-800
0-40	0-4	0-4000	0-1000
0-60	0-6	0-6000	

Dimensions(mm)

2.5" back connection 1.5" Tri-Clamp

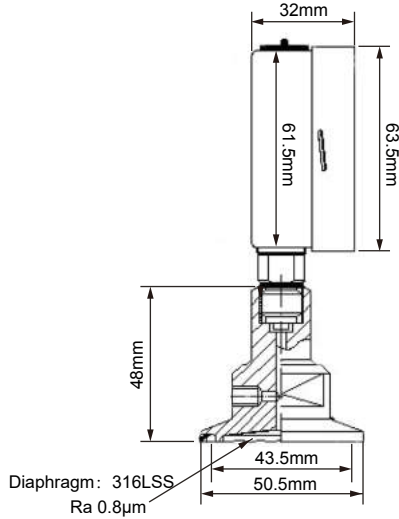


2.5" back connection 2" Tri-Clamp

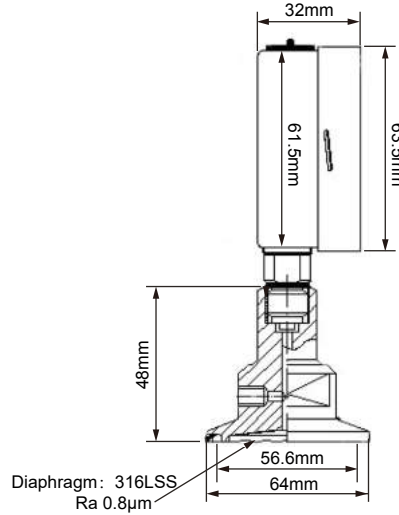


Dimensions(mm)

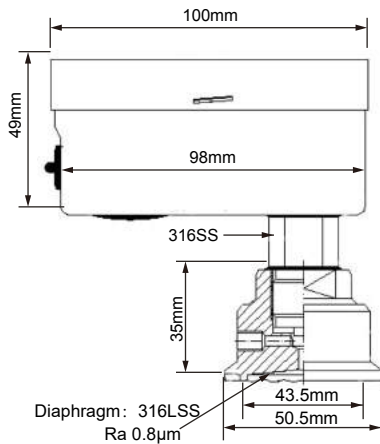
2.5" bottom connection 1.5" Tri-Clamp



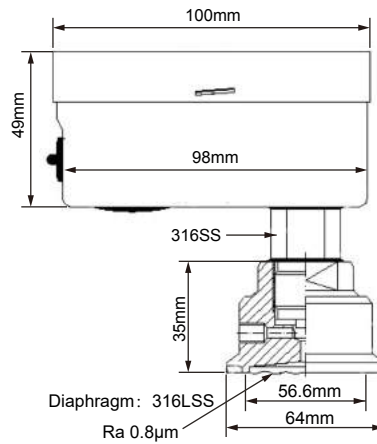
2.5" bottom connection 2" Tri-Clamp



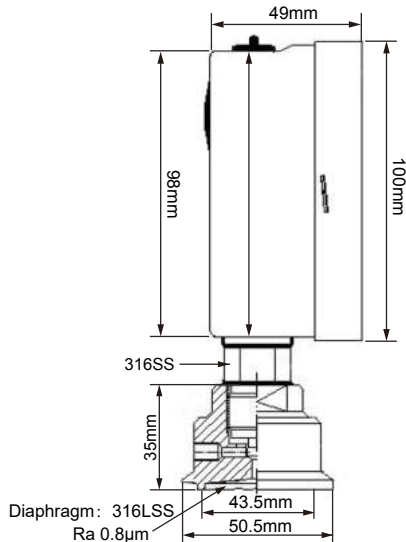
4.0" lower back connection 1.5" Tri-Clamp



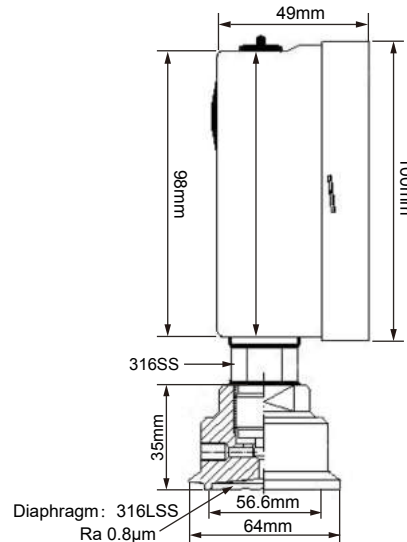
4.0" lower back connection 2" Tri-Clamp



4.0" bottom connection 1.5" Tri-Clamp



4.0" bottom connection 2" Tri-Clamp



PSQ series ordering code

	Code	Specification
1.	<input type="text"/>	PSQ Series
		Dial size
2.	<input type="text"/>	25 63mm
		40 100mm
		Case material
3.	<input type="text"/>	T 304 SS
		Wetted parts
4.	<input type="text"/>	L 316L SS
		Type of mounting
5.	<input type="text"/>	A Bottom
		D Back
		Process connection
6.	<input type="text"/>	15 1.5" Tri-clamp
		20 2" Tri-clamp
		Pressure range
7.	<input type="text"/> Please refer the range on page 2
		Option
8.	<input type="text"/>	SE Filled with glycerin
		SD Filled with silicone oil
		SF Glass lens
		SA Safety glass lens
		SM Stainless steel tag number