

Description & Features

- Full covering flanged diaphragm seal - exotic materials
- Flange with a flush welded diaphragm
- Available for all common standards and nominal diameters

Applications

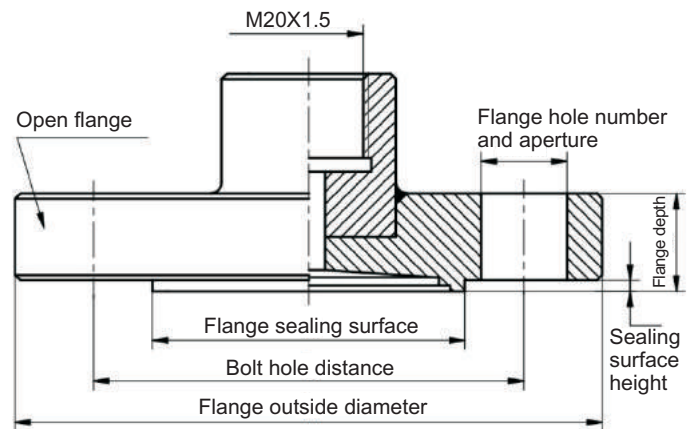
- Chemical process industry
- Petrochemical industry
- For aggressive, highly viscous, crystallising



Specifications

- **Mounting**
Direct or remote
- **Diaphragm Material**
AISI 316L stainless steel, welded, standard
Option: - AISI 316L stainless steel with PTFE coated
- Tantalum
- Hastelloy C
- Monel
- Other exotic material
- **Flange Material**
AISI 316 stainless steel, standard
Option: - AISI 304 stainless steel
- AISI 316L stainless steel
- AISI 316 stainless steel with PTFE coated
- AISI 316L stainless steel with PTFE coated
- Other exotic material
- **Pressure range**
Depending on diaphragm size and process conditions
- **Minimum operating pressure range**
-1...0 bar
- **Maximum operating pressure range**
0...160 bar
- **Process connection**
Flange as per EN 1092-1 or ASME B 16.5,
also others standard versions are available on request
- **Filled Fluid**
Silicone Filled (Limited temperature range: -40/160°C)
High temperature oil (High limited temperature range: -30/230°C)
Food compatible fluid (Limited temperature range: -20/160°C)
Fluorolube Filled (Limited temperature range: -50/150°C)

Dimensions



Ordering Code D39 Series

Field No.	Code	Specifications
1.	D39	Series
2.	A	Process Connection Standard ASME B 16.5
	E	EN 1092-1
	C	Class series: HG/T 20615~20635 2009
	P	PN series: HG/T 20592~20614 2009
3.		Process Connection Flange Size
		ASME B 16.5 HG/T 20615 - 2009
		NPS
	15	1.5" (The minimum process connection pressure rating 300#, the maximum process connection pressure rating 600#)
	20	2"
	25	2.5"
	ZZ	Special request
		EN 1092-1 HG/T 20592 - 2009
		DN (Unit: mm)
	E	DN 40 (The minimum process connection pressure rating PN40, the maximum process connection pressure rating PN100)
	F	DN 50
	Z	Special request
4.		Process Connection Pressure Rating
		ASME B 16.5 HG/T 20615 - 2009
		Class
	5	150
	3	300
	6	600
	9	900
	1	1500
		EN 1092-1 HG/T 20592 - 2009
		PN (Unit: bar)
	P	PN 16 bar
	K	PN 25 bar
	S	PN 40 bar
	V	PN 63 bar
	B	PN 100 bar
	C	PN 160 bar
	Z	Special request
5.		Sealing Face
	R	RF
	F	FF (Class 150 only)
	J	RTJ (Class 300~2500 only)
	T	RJ (Class 300~2500 only)
	Z	Special request

Continued on the following page

Continued from the previous page

Ordering Code D39 Series

Field No.	Code	Specifications
6.		Diaphragm Materials
	L	AISI 316L stainless steel
	P	AISI 316L stainless steel with PTFE coated (-1 bar to 40 bar with PTFE coating -20°C to 150°C with PTFE coating)
	H	Hastelloy C
	A	Tantalum
	M	Monel
	Z	Special request
7.		Wetted Parts Material (Excluded Diaphragm Material)
	T	AISI 304 stainless steel
	S	AISI 316 stainless steel
	L	AISI 316L stainless steel
	P	AISI 316 stainless steel with PTFE coated (-1 bar to 40 bar with PTFE coating -20°C to 150°C with PTFE coating)
	LP	AISI 316L stainless steel with PTFE coated (-1 bar to 40 bar with PTFE coating -20°C to 150°C with PTFE coating)
	Z	Special request
8.		Assembly
	D	Direct assembly
	1	1m 304 stainless steel remote capillary
	6	1.5m 304 stainless steel remote capillary
	2	2m 304 stainless steel remote capillary
	3	3m 304 stainless steel remote capillary
	4	4m 304 stainless steel remote capillary
	5	5m 304 stainless steel remote capillary
	8	8m 304 stainless steel remote capillary
Z	Special request	
9.		Filled Fluid
	B	Silicone Filled (Limited temperature range: -40/160°C)
	F	High temperature oil (High limited temperature range: -30/230°C)
	G	Food compatible fluid (Limited temperature range: -20/160°C)
	E	Fluorolube Filled (Limited temperature range: -50/150°C)