

# DIFFERENTIAL PRESSURE SWITCH

DPS107 series adjustable differential pressure switch for monitoring overpressure, vacuum and differential pressure of air or other noncombustible, non-aggressive gases for both HVAC and Energy Management Applications. Automatic reset and field adjustable setpoints. The differential pressure switch includes a SPDT relay rated for 1.5A @ 250V and can be set as low as 20 Pa.



## Features

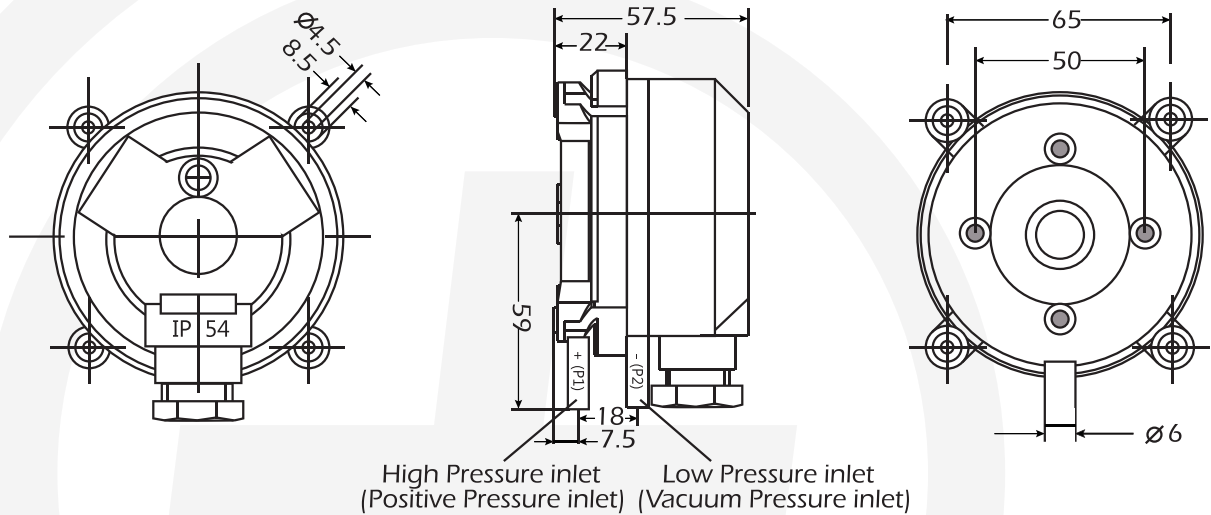
- ✓ High Quality, Low-Cost
- ✓ Adjustment knob enables easy switch point setting
- ✓ Transparent cover for setpoint confirmation
- ✓ Switch can be set up as N.O. or N.C.
- ✓ Installer kit with PVC tubing included

## Specifications

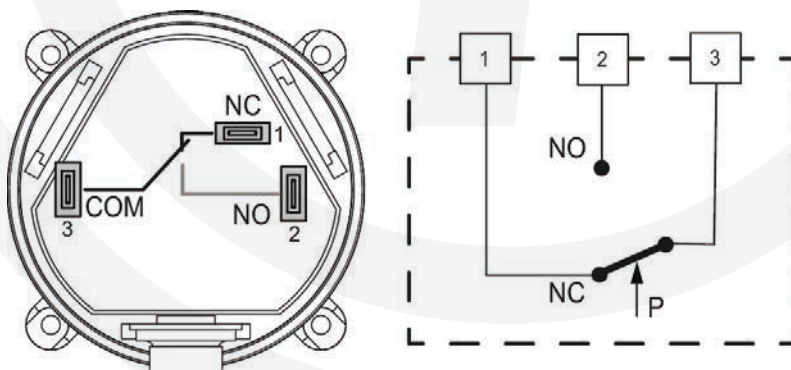
<b>Medium</b>	Air, non-combustible and non-aggressive gases
<b>Pressure Limits</b>	10 kPa for all pressure ranges
<b>Switch Type</b>	Single-pole double-throw (SPDT)
<b>Electrical Rating</b>	Max. 1.5 A res./0.4 A ind./250 VAC, 50/60 Hz; Max. switching rate: 6 cycles/min
<b>Electrical connections</b>	AMP flat plug 6.3x0.8 mm or push-on screw terminals
<b>Temperature Limits</b>	Process and ambient temperature from -4 to 185°F (-20 to 85°C).
<b>Pressure connections</b>	6.0 mm diameter for tube connection
<b>Mounting Orientation</b>	Vertically, with pressure connections pointing downwards
<b>Housing materials</b>	Switch body and cover of plastic
<b>Protection category</b>	IP54(With Cover),IP00 ( without Cover)
<b>Weight</b>	With cover 150 g, without cover 110 g

# DPS107

## Dimensions (in mm)



## Connection Diagram



## Ordering code

ITEM	CODE	
SERIES	DPS107.	DIFFERENTIAL PRESSURE SWITCH
	220	20 – 200 PA / $\leq 10$ PA / $\leq 15\%$
	330	30 – 300 PA / $\leq 10$ PA / $\leq 15\%$
	440	40 – 400 PA / $\leq 20$ PA / $\leq 15\%$
	550	50 – 500 PA / $\leq 20$ PA / $\leq 15\%$
PRESSURE RANGES / DIFFERENTIAL / TOLLERANCE	210	200 – 1000 PA / $\leq 100$ PA / $\leq 15\%$
	525	500 – 2500 PA / $\leq 150$ PA / $\leq 15\%$
	150	1000 – 5000 PA / $\leq 150$ PA / $\leq 15\%$