


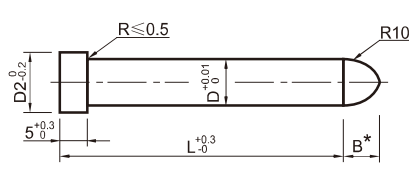


Broad World Precision

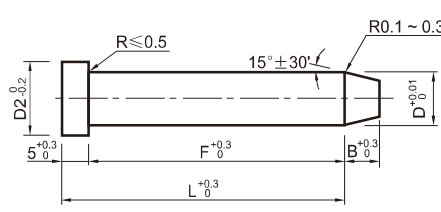
BPH.BPD STRAIGHT PILOT PUNCHES



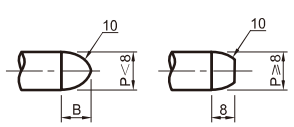
BPH



BPD



Type	Material	Hardness
BPHD BPDD	SKD11	60 ~ 62
BPHH BPDH	SKH51	61 ~ 63
BPHP BPD P	ASP23	63 ~ 66
BPHW BPDW	CARBIDE	
T-CODR	TICN COATING(SKH-51 & ASP-23 ONLY)	



$B = \sqrt{P(10-P/4)}$

Type	0.01 INCREMENT		D2	B	L
	min.	D .max			
BPHD BPDD BPHH BPDH BPHP BPD P BPHW BPDW	2.0 ~ 3.0		5	2	42 52 62 72
	3.0 ~ 4.0		7		42 52 62 72
	4.0 ~ 5.0		8	3	42 52 62 72
	5.0 ~ 6.0		9		42 52 62 72
	6.0 ~ 8.0		11	5	42 52 62 72 82 92
	8.0 ~ 10.0		13		42 52 62 72 82 92
	10.0 ~ 13.0		16	8	42 52 62 72 82 92 102
13.0 ~ 16.0		19	42 52 62 72 82 92 102		



Type	D	-	L	-	QTY
BPHD	8		62L		10PCS
T-BPHH	8		35L		10PCS

Please contact us if you have other special request or specifications.