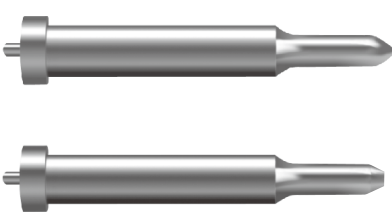


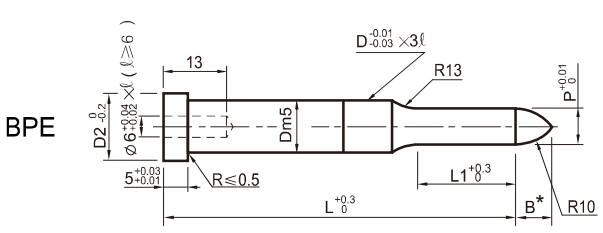


Broad World Precision

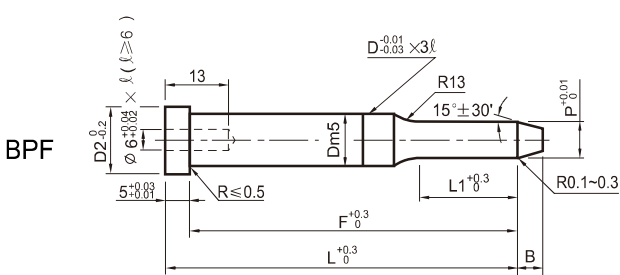
## BPE.BPF PILOT PUNCHES WITH CENTER HOLE



**BPE**



**BPF**



Type	Material	Hardness
BPED BPFD	SKD11	60 ~ 62
BPEH BPFH	SKH51	61 ~ 63
BPEP BPF	ASP23	63 ~ 66

Type	D	min. P max.	D2	L1	B	L
BPED BPF	10	3.00 ~ 9.99	13	15	5	52 62 72 82 92 102
	13	6.00 ~ 12.99	16		8	
BPEH BPFH	16	10.00 ~ 15.99	19	21		
BPEP BPF	20	13.00 ~ 19.99	23			
	25	18.00 ~ 24.99	28			



Type
D
-
P
-
L
-
QTY  
 BPED 10 - P8.50 - 72L - 10PCS

Please contact us if you have other special request or specifications.