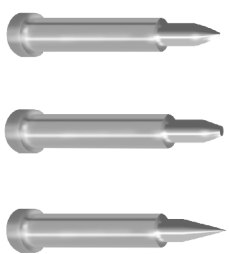




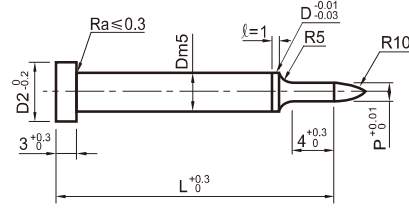
Broad World Precision

## BPG.BPJ.BPK PILOT PUNCHES

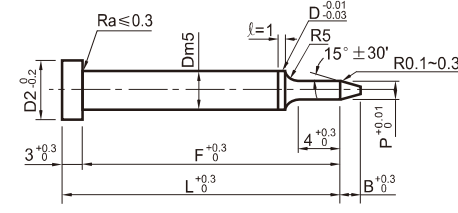
– Fixed in stripper plate –



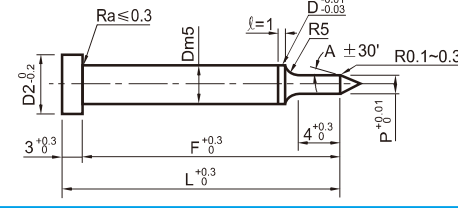
**BPG**



**BPJ**



**BPK**



Type	Material	Hardness
BPGD BPJD BPKD	SKD11	60 ~ 62
BPGH BPJH BPKH	SKH51	61 ~ 63
BPHP BPJP BPKP	ASP23	63 ~ 66
BPGW BPJW BPKW	CARBIDE	
T-CODR	TICN COATING(SKH-51 & ASP-23 ONLY)	
A-CODR	Dm5 → D <sup>+0.005</sup>	

Type	D	min. P max.	D2	B	A	L
BPGD BPJD BPKD BPGH BPJH BPKH BPHP BPJP BPKP BPGW BPJW BPKW	1.6	1.00 ~ 1.59	2.6	1	15	10 15 20 25 30 35 40
	2.0	1.00 ~ 1.99	3			
	2.5	1.00 ~ 2.49	3.5	2		
	3	1.00 ~ 2.99	5			
	4	2.00 ~ 3.99	7	3	20	
	5	2.00 ~ 4.99	8			
	6	2.50 ~ 5.99	9	5	25	
	8	5.00 ~ 7.99	11			
	10	7.00 ~ 9.99	13	8	30	
	13	10.00 ~ 12.99	16			
16	13.00 ~ 15.99	19				



Type
D
-
P
-
A
-
L
-
QTY  
 BPKD    3    - P2.48    - 28.0    - 10PCS

Please contact us if you have other special request or specifications.