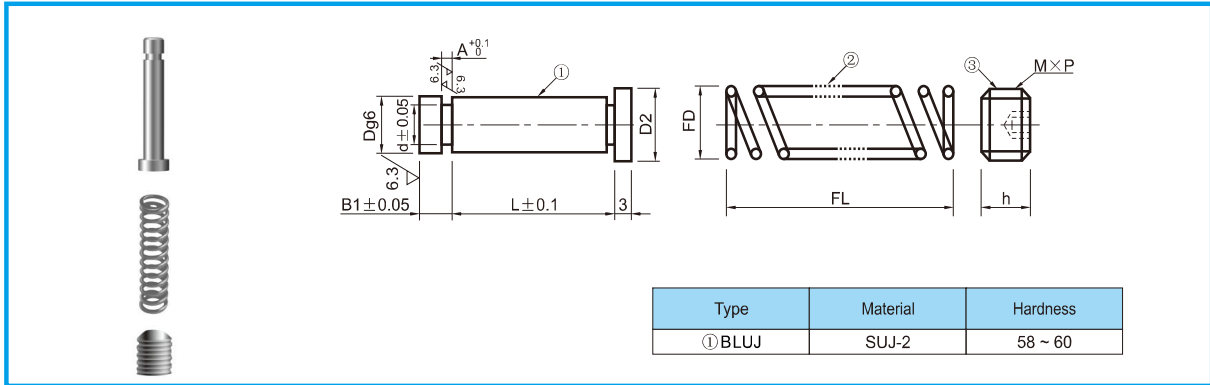




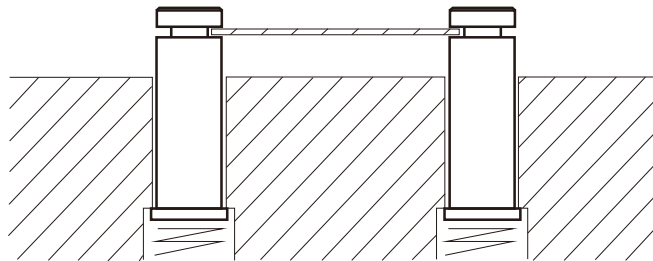
Broad World Precision

BLU LIFTERPINSETS



Type	D	D2	d	B1	A	L	L Spring		MScrew	
							FD	FL	M×P	h
BLUJ	6	8	3.6	7	0.8 1.0 1.5	25 28 30 33 36	8	20~80	10×1.5	10
	8	10	5.0		1.0 1.5 2.0	25 28 30 33 36 40	10		12×1.5	
	10	13	6.0		1.5 2.0 2.5	28 30 33 36 40 45	13		16×1.5	
	13	16	7.0		2.0 2.5 3.6	28 30 33 36 40 45	16		20×1.5	
	16	19	8.0	12	2.5 3.6 4.0	30 33 36 40 45 50	18	22×1.5	12	

EXAMPLE



Type	D	A	L	FL	QTY
① BLUJ	8	1.0	30L		10PCS
①+②+③ BLUJS	8	1.0	30L	FL60	10PCS

Please contact us if you have other special request or specifications.