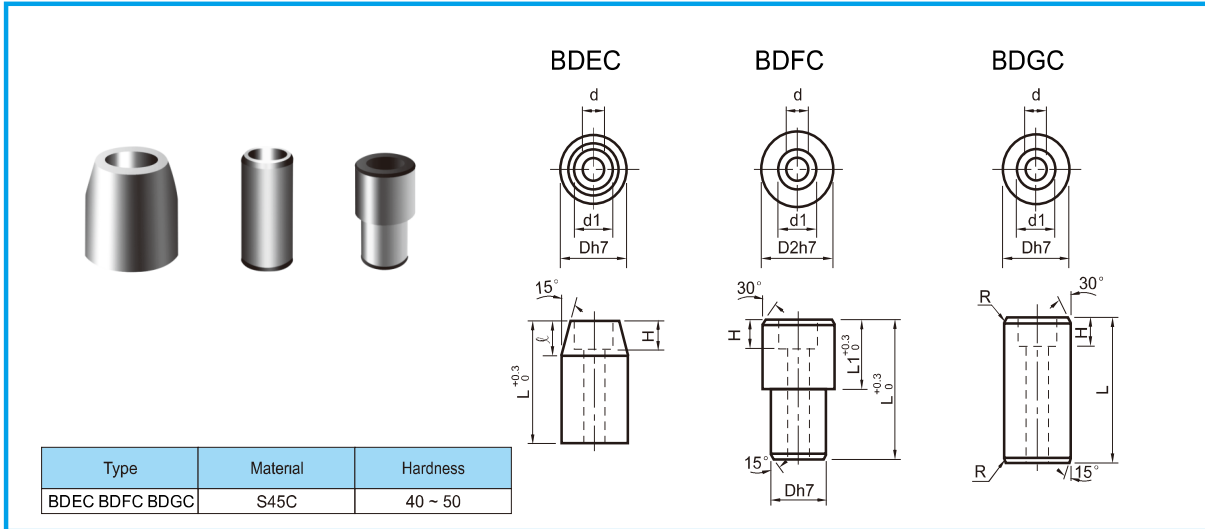




Broad World Precision

# BDE . BDF . BDG LOCATING PIN



Type	Material	Hardness
BDEC BDFC BDGC	S45C	40 ~ 50

Type	Dh7		ℓ	d	d1	H	L
BDEC	25	$\begin{matrix} 0 \\ -0.021 \end{matrix}$	12	9	14	11	25 30
	32	$\begin{matrix} 0 \\ -0.025 \end{matrix}$	15	11	17.5	13	30 35
	40		18	14	20	15	35 40

Type	Dh7		D2h7		L1	d	d1	H	L
BDFC	20	$\begin{matrix} 0 \\ -0.021 \end{matrix}$	25	$\begin{matrix} 0 \\ -0.021 \end{matrix}$	20	9	14	11	40
	25		32	$\begin{matrix} 0 \\ -0.025 \end{matrix}$	25	11	17.5	12	50
	32	40	35		24			70	

Type	Dh7		H	R	d	d1	L
BDGC	20	$\begin{matrix} 0 \\ -0.021 \end{matrix}$	—	3	11	—	46
	25		12			17.5	56
	32	$\begin{matrix} 0 \\ -0.025 \end{matrix}$	24	5			70



Type	D	—	L	—	QTY
BDEC	25	—	30L	—	10PCS
BDFC	20	—	—	—	10PCS
BDGC	20	—	—	—	10PCS

Please contact us if you have other special request or specifications.