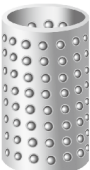




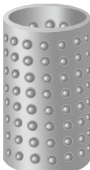
Broad World Precision

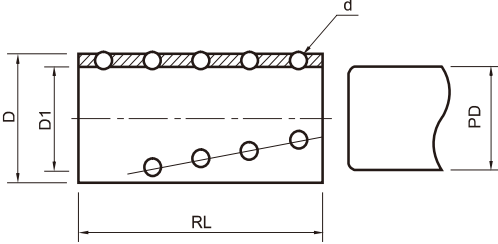
BGW BALL RETAINER

BGWA
Aluminium
Ball retainer




BGWO
Plastic
Ball Retainer

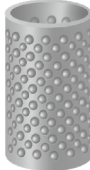




BGGWA
High-rigidity
Aluminium
Ball retainer



BGGWO
High-rigidity
Plastic
Ball Retainer



Type	Material
BGWA(BGGWA)	A5052S
BGWO(BGGWO)	POM

Type	PD POST Diameter		D	D1	d	RL
BGWA BGWO BGGWA BGGWO	20	+0.020 +0.015	25.5	20.5	3	50
	22		27.5	22.5		50 60
	25		30.5	25.5		60 75
	28	+0.025 +0.020	35.5	28.5	4	60 75
	32		39.5	32.5		75 90
	38	+0.030 +0.025	47.5	38.5	5	75 90
	45		54.5	45.5		90 110



Type	-	PD	-	L	-	QTY
BGWA		25		60L		4PCS
BGWO		25		60L		4PCS

Please contact us if you have other special request or specifications.