
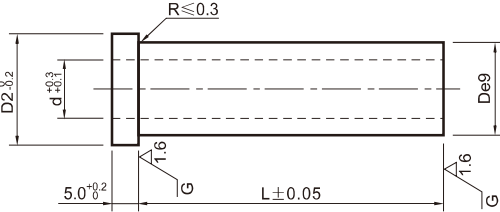




Broad World Precision


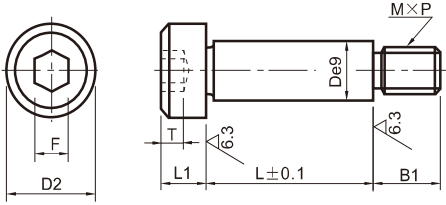
BTH SPOOL RETAINERS

Type	Material	Hardness
BTHJ	SUJ2	48 ~ 52

Type	De9	d	D2	SCREW M×P	L
BTHJ	8	5	13	5×0.8	20 25 ~ 70
	10	6	15	6×1.0	20 25 ~ 80
	13	8	18	8×1.25	30 35 ~ 90
	16	10	21	10×1.5	30 35 ~ 100

BTS STRIPPER BOLTS

Type	Material	Hardness
BTSM	SCM435	38- 44

Type	De9	D2	L1	B1(max)	F	T	M×P	L
BTSM	6.0	9	4	7	3	2	4×0.7	10 15 ~ 65
	6.5	10	5	9	4	2.5	5×0.8	10 15 ~ 65
	8.0	13	6		5	3	6×1.0	10 15 ~ 100
	10.0	16	8	12	6	4	8×1.25	15 20 ~ 100
	12.0	17					8×1.25	20 25 ~ 100
	13.0	18	10	16	8	5	10×1.5	20 25 ~ 120
	16.0	24	14	18	10	7	12×1.75	30 35 ~ 150



Type	D	-	L	-	QTY
BTHJ	10	-	50L	-	4PCS
BTSM	13	-	50L	-	4PCS

Please contact us if you have other special request or specifications.