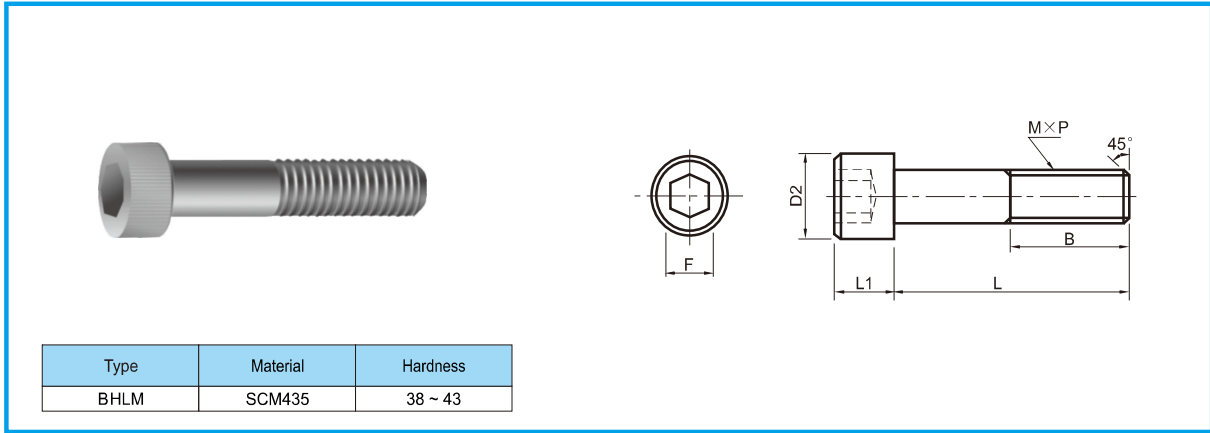


## BHL SOCKET HEAD CAP SCREWS



| Type   | M×P     | D2  | L1 | F   | M  | M3 | M4 | M5 | M6          | M8 | M10 | M12 | M14 | M16 | M18 | M20 |
|--------|---------|-----|----|-----|----|----|----|----|-------------|----|-----|-----|-----|-----|-----|-----|
| BHLM   | 3×0.5   | 5.5 | 3  | 2.5 | 6  |    |    |    |             |    |     |     |     |     |     |     |
|        |         |     |    |     | 8  |    |    |    |             |    |     |     |     |     |     |     |
|        | 4×0.7   | 7   | 4  | 3   | 10 |    |    |    |             |    |     |     |     |     |     |     |
|        |         |     |    |     | 12 |    |    |    |             |    |     |     |     |     |     |     |
|        | 5×0.8   | 8.5 | 5  | 4   | 14 |    |    |    |             |    |     |     |     |     |     |     |
|        |         |     |    |     | 16 |    |    |    |             |    |     |     |     |     |     |     |
|        | 6×1.0   | 10  | 6  | 5   | 20 |    |    |    | Full Thread |    |     |     |     |     |     |     |
|        |         |     |    |     | 25 |    |    |    |             |    |     |     |     |     |     |     |
|        | 8×1.25  | 13  | 8  | 6   | 30 |    |    |    |             |    |     |     |     |     |     |     |
|        |         |     |    |     | 35 |    |    |    |             |    |     |     |     |     |     |     |
|        | 10×1.5  | 16  | 10 | 8   | 40 |    |    |    |             |    |     |     |     |     |     |     |
|        |         |     |    |     | 45 |    |    |    |             |    |     |     |     |     |     |     |
|        | 12×1.75 | 18  | 12 | 10  | 50 |    |    |    |             |    |     |     |     |     |     |     |
|        |         |     |    |     | 55 |    |    |    |             |    |     |     |     |     |     |     |
|        | 14×2.0  | 21  | 14 | 12  | 60 |    |    |    |             |    |     |     |     |     |     |     |
|        |         |     |    |     | 65 |    |    |    |             |    |     |     |     |     |     |     |
| 16×2.0 | 24      | 16  | 14 | 70  |    |    |    |    |             |    |     |     |     |     |     |     |
|        |         |     |    | 80  |    |    |    |    |             |    |     |     |     |     |     |     |
| 18×2.5 | 27      | 18  | 14 | 90  |    |    |    |    |             |    |     |     |     |     |     |     |
|        |         |     |    | 100 |    |    |    |    |             |    |     |     |     |     |     |     |
| 20×2.5 | 30      | 20  | 17 | 110 |    |    |    |    |             |    |     |     |     |     |     |     |
|        |         |     |    | 120 |    |    |    |    |             |    |     |     |     |     |     |     |
|        |         |     |    | 130 |    |    |    |    |             |    |     |     |     |     |     |     |
|        |         |     |    | 140 |    |    |    |    |             |    |     |     |     |     |     |     |
|        |         |     |    | 160 |    |    |    |    |             |    |     |     |     |     |     |     |
|        |         |     |    | 180 |    |    |    |    |             |    |     |     |     |     |     |     |
|        |         |     |    | 200 |    |    |    |    |             |    |     |     |     |     |     |     |



Type M - L - QTY  
 BHLM 10 - 60L - 100PCS

Please contact us if you have other special request or specifications.