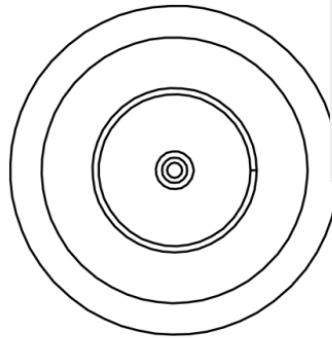
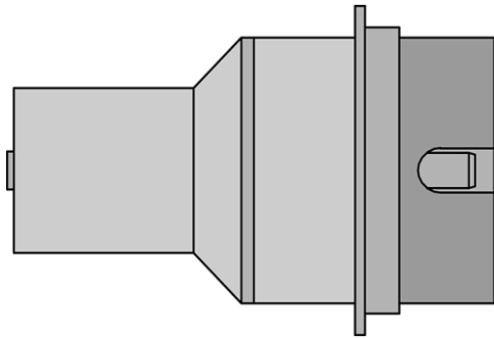


NRV12

Code No.: T0058750774N



Benefits

- › The ND and NQ nozzles have an integrated pre-heating plate for pre-heating components by means of contact heat. Air outlet slots are located around the plate with a width of approx. 1 mm for the hot air.

In addition we recommend:



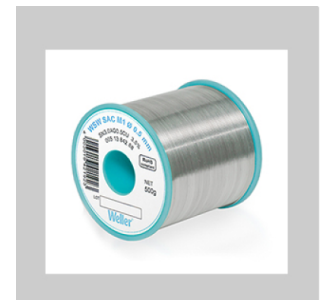
Fume extraction devices



Cleaning Consumables



Soldering Irons



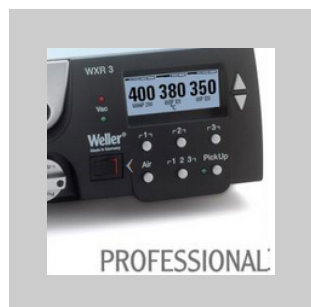
Zubehoer



Technical Data

Tip form	Hot air nozzle with vacuum for small components
Length mm	---
Length Inch	---
Width in mm	---
Width in Inch	---
Outer Ø mm	---
Outer Ø Inch	---
Inner Ø mm	---
Inner Ø Inch	---
Nozzle length in mm	---
Nozzle length in Inch	---
Packaging unit	1

Owning the bench



PROFESSIONAL



FILTRATION



EREM



XCELITE