



FULL TANK

HDPE WATER TANK

CLOSED TOP SERIES



FEATURES AND ADVANTAGES

- ★ Food grade material
- ★ High Chemical resistant
- ★ Non-toxic, odorless and corrosion free
- ★ Zero maintenance & highly durable
- ★ Light weight, strong, UV protection
- ★ Seamless construction, stress-free and leak proof

Certificated & Approved by:

SPAN[®]

Suruhanjaya Perkhidmatan Air Negara



MALAYSIA
MS1225 PART 1:2007



BUATAN MALAYSIAN
MADE IN MALAYSIA



HDPE CLOSED TOP TANK MODEL

MODEL	EXTERNAL DIMENSION MM (INCHES)		CAPACITY (GALLONS)		CAPACITY (LITERS)	
	DIAMETER	HEIGHT	EFFECTIVE	NOMINAL	EFFECTIVE	NOMINAL
N400	1500(59)	1350(53)	450	530	2043	2406
N500	1500(59)	1650(65)	550	650	2497	2951
N600	1500(59)	1900(75)	650	740	2951	3360
N800	1600(63)	2185(86)	860	950	3904	4313
N900	1600(63)	2413(95)	970	1060	4404	4812
N1000	1600(63)	2620(103)	1080	1170	4903	5312
N1000A	2440(96)	1250(49)	1080	1290	4903	5857
N1000B	1905(75)	1800(71)	1000	1040	4540	4722
N1250A	1905(75)	2110(83)	1280	1320	5811	5993
N1500	2440(96)	1650(65)	1500	1610	6810	7309
N1500A	1905(75)	2620(103)	1500	1630	6810	7400
N2000	2440(96)	2210(87)	2070	2380	9398	10805
N2500	2440(96)	2650(104)	2550	2640	11577	11986
N3000	2440(96)	3200(126)	3090	3300	14029	14982
N3500	2440(96)	3510(138)	3500	3620	15890	16435
N4000	2800(110)	3639(143)	4190	4410	19023	20021
N5000	2800(110)	4377(172)	5150	5430	23381	24652
N6000	2800(110)	4620(182)	6000	6300	27240	28602
N7000	2800(110)	5461(215)	7000	7410	31780	33641
N8000	3300(130)	4986(196)	8240	9370	37410	42540
N10000	3300(130)	6048(238)	10030	11400	45536	51756

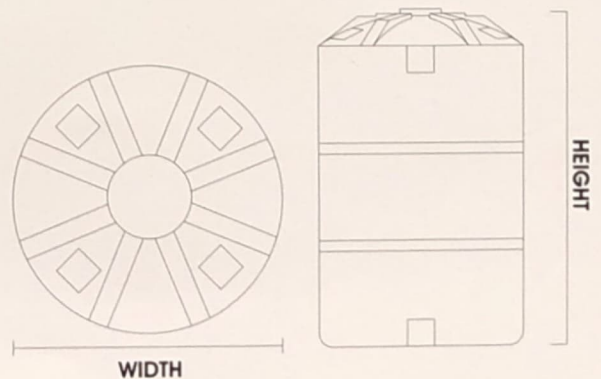
WARRANTY:

1. Full Tank has a warranty period of 10 years for indoor use and 5 years for outdoor use.
2. All Drain, Balancing & Outlet piping connection, Strictly to be assembly with Flexible Joint (Refer to Handling & Installation Guidance).
3. Verification through KUNYI authorised distributors / dealer's chop in Malaysia with our serial number written, delivery order and invoice must be shown.
4. We shall not be held responsible for any defects or damage to the tank if the Installation Guidance are not adhered to
5. This warranty does not cover damages done during installation, misuse, negligence, rough handling or accident in your project site.
6. Our liability is limited to repair or replace (without installation) of the defective tank due to manufacturer's defect.
7. Should be effective and enforceable by the purchaser only upon receipt of full payment for the product(s) purchased.
8. Fitting / Accessories / Parts provided are not covered or applicable in our warranty.

Dimensions and capacities of products are approximate due to manufacturing process.

KUNYI reserves the right to change or update,

- without notice any information contained in this catalogue.
- to change without notice the design, construction, materials, processing, or specification of the products; and to discontinue or limit production or distribution of any products.



Distributor by: