



**120 ft** AIR THROW



# STORM SERIES

**AireGard Storm Series** is a portable HVLS fan designed and developed by AireGard. At 2m height, it is designed to be moved around easily with its all-terrain industrial grade wheels. Powered by a DC Inverter Direct Drive BLDC Motor, the fan blades can generate large amount of air with air throw of up to 120ft, a perfect solution for a hot and humid environment.

### Features of AireGard Storm Series

**Ease of Use**

Moves around easily with 4 industrial grade wheels.

**Energy Saving**

Low energy consumption of 400w.

**Super Quiet**

Low noise level of 43dB.

**Stepless Speed Control**

Fully adjustable airflow with variable speed controller.

**Tough Nut**

Water resistant motor rating of IP55 ensures maximum durability.

**Ready to Roll**

Comes fully assembled, just plug and play.

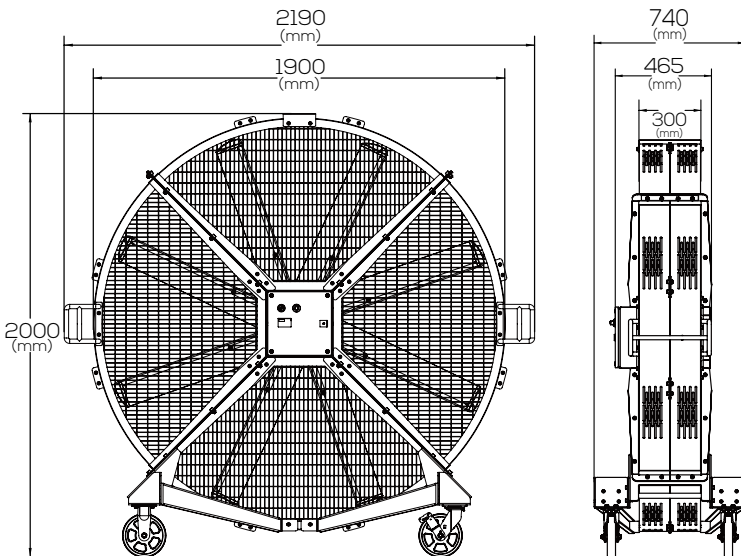
**DC Inverter Motor**

Class leading Direct Drive Technology BLDC Motor for maximum torque and efficiency.

**Technical Information**

Model	F - 75
Dimensions (WxHxD)	2190 mm x 2000 mm x 740 mm
Max Speed	220 r/min
Air Thrust	0-36m (7m/s-0.9m/s)
Max Air Volume	37,694 CFM
Motor	DC Inverter BLDC
Motor power	0.4 kW
Current	220 V/1P
Full Load	1.8 A
Sound Level (Maximum Speed)	43 dBA
Motor Protection Rating	IP55
Weight	210 Kg

**Dimensions**



Distributed by:

**Gard Inc. sdn bhd**  
GST No. 001895579648

Hotline: 1300-88-4273  
Email: info@AireGard.com

[www.AireGard.com](http://www.AireGard.com)