

## Air Cooled Dry Vacuum Pump

# Air Cooled Dry Vacuum Pump KTS060, KTS300

★ **Biggest pumping speed, High performance and Longterm stable operation!**

**KTS060 : 920ℓ/min  $P_s \leq 3\text{Pa}$**

**KTS300 : 5000ℓ/min  $P_s \leq 0.5\text{Pa}$**



### FEATURE

- Pumping Speed
  - KTS060: 920ℓ/min •KTS030: 5000ℓ/min
- Long Time Stable Operation with Oil-Free and Non-Contact Pump Mechanism
- No cooling water is needed. Location is not limited.
- Maximum Allowable Water Vapor with Rust Proof Coating and Air Function
- Low Vibration Low Noise
  - KTS060: Less than 65dB(A) •KTS300: Less than 72dB(A) ( At shut-off operation )

### APPLICATION

- Clean Gas Vacuum ( Air Vacuum, Inert Gas Vacuum )
- Water Vapor Vacuum ( Vacuum Drying )
- Vacuum System ( Sputtering, Deposition )

MODEL		KTS060	KTS300
Pumping Speed	L/min	920	5000
Ultimate Pressure <sup>※1</sup>	Pa	$\leq 3$	$\leq 0.5$
Maximum Suction Pressure	kPa	101 (ATM)	
Suction Port / Discharge Port		NW40 / NW40	NW50 / NW40
Power Consumption <sup>※2</sup>	kW	0.90	1.30
Noise Level ( distance at 1m ) <sup>※2</sup>	dB(A)	$\leq 65$	$\leq 72$
Power Source <sup>※3</sup>		1 Phase 200~240V 50 / 60Hz	
		3 Phase 200~240V 50 / 60Hz	
Flush Air Function		With ( N2 Introduction - Available )	
Maximum Water Vapor Allowable Capacity <sup>※4</sup>	g/h	500	
Weight	kg	48	100

※1: Without Flash Air Function

※2: At shut-off operation

※3: The described power source is available.

※4: With Flash Air Function

**UNOZAWA-GUMI IRON WORKS, LTD.**

**www.unozawa.co.jp**

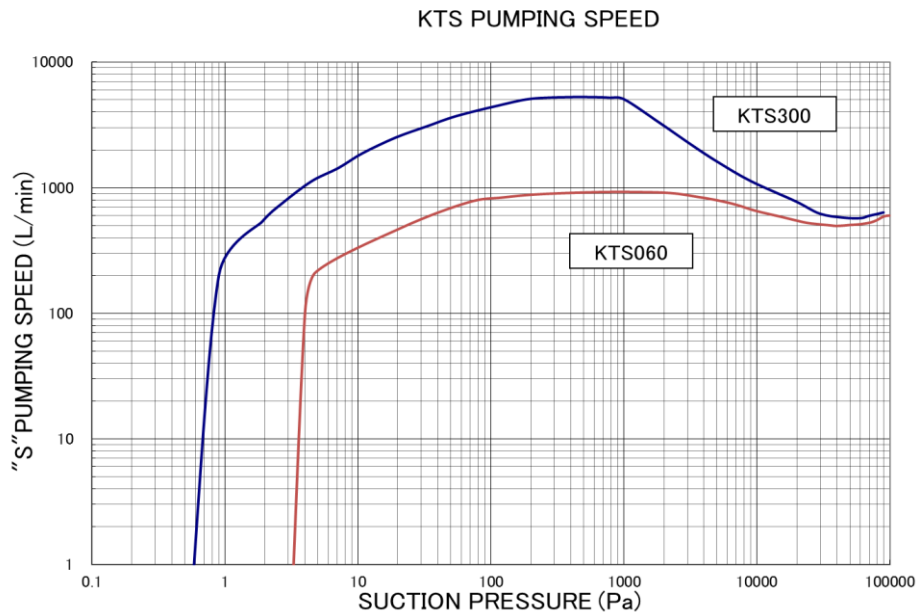
Head Office Sales Dep: TEL. +81-3-3759-8101  
Osaka Branch: TEL. +81-6-6344-0747

2-36-40, Shimomaruko, Ohta-ku, Tokyo, 146-0092, Japan  
Sakurabashi-Yachiyo Bldg., 2-5-6, Umeda, Kita-ku, Osaka 530-0001, Japan

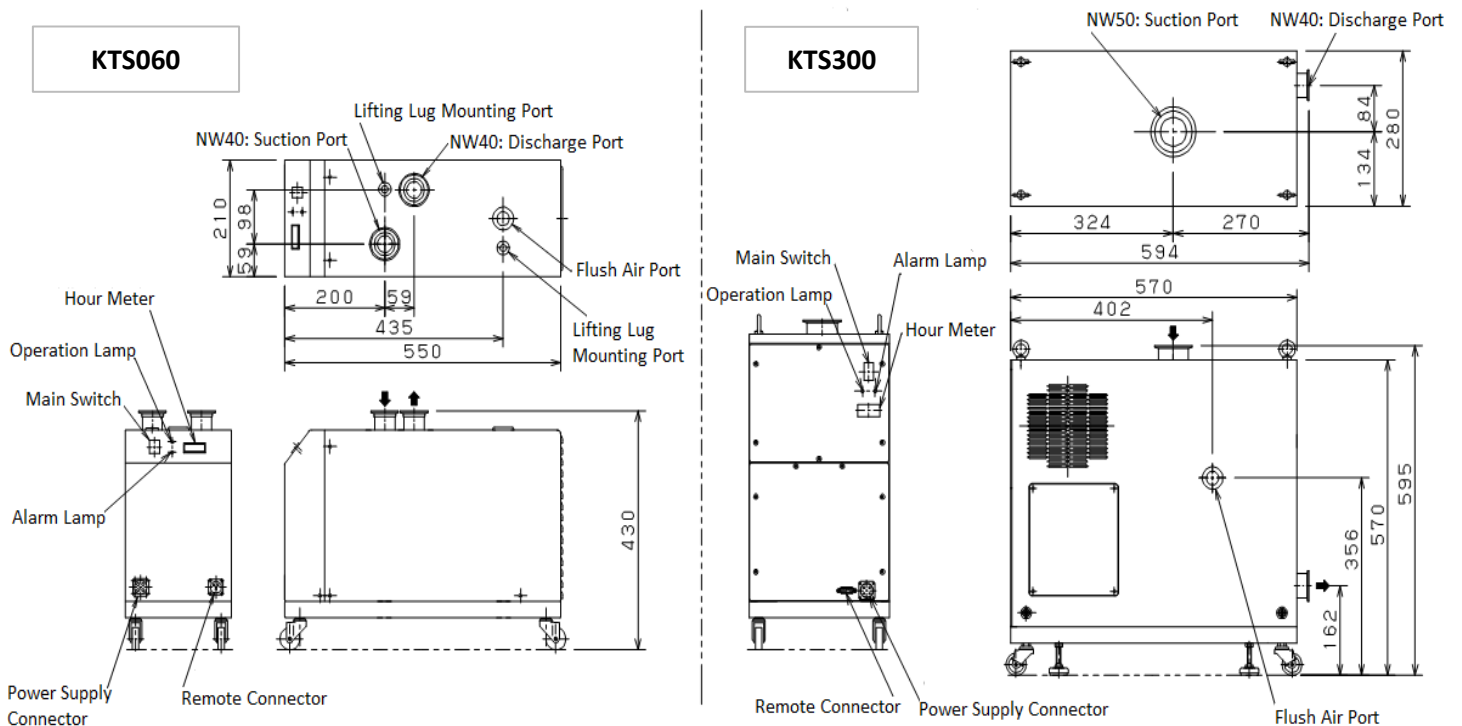
# Air Cooled Dry Vacuum Pump

# KTS060, KTS300

## ■ Performance Curve



## ■ Dimensional Outline Drawing



**UNOZAWA-GUMI IRON WORKS, LTD.**

[www.unozawa.co.jp](http://www.unozawa.co.jp)

Head Office Sales Dep: TEL. +81-3-3759-8101  
Osaka Branch: TEL. +81-6-6344-0747

2-36-40, Shimomaruko, Ohta-ku, Tokyo, 146-0092, Japan  
Sakurabashi-Yachiyo Bldg., 2-5-6, Umeda, Kita-ku, Osaka 530-0001, Japan

➤ This catalog is subject to change without notice to reflect performance improvements, etc.