

材質與表面處理

- 本體與固定架：不銹鋼(SUS316)·亮面拋光。
- 槽片、M5*L12螺絲：不銹鋼(SUS304)。

特徵

- 拉動手柄即可開啟門板，關閉時只需推回即可關門。
- 安全設計，可從門內按壓鎖舌進行開鎖。

MATERIAL AND FINISH

- Body and Mounting Bracket: Stainless steel(SUS316), High gloss polished.
- Pawl and M5*L12 screws : Stainless steel(SUS304).

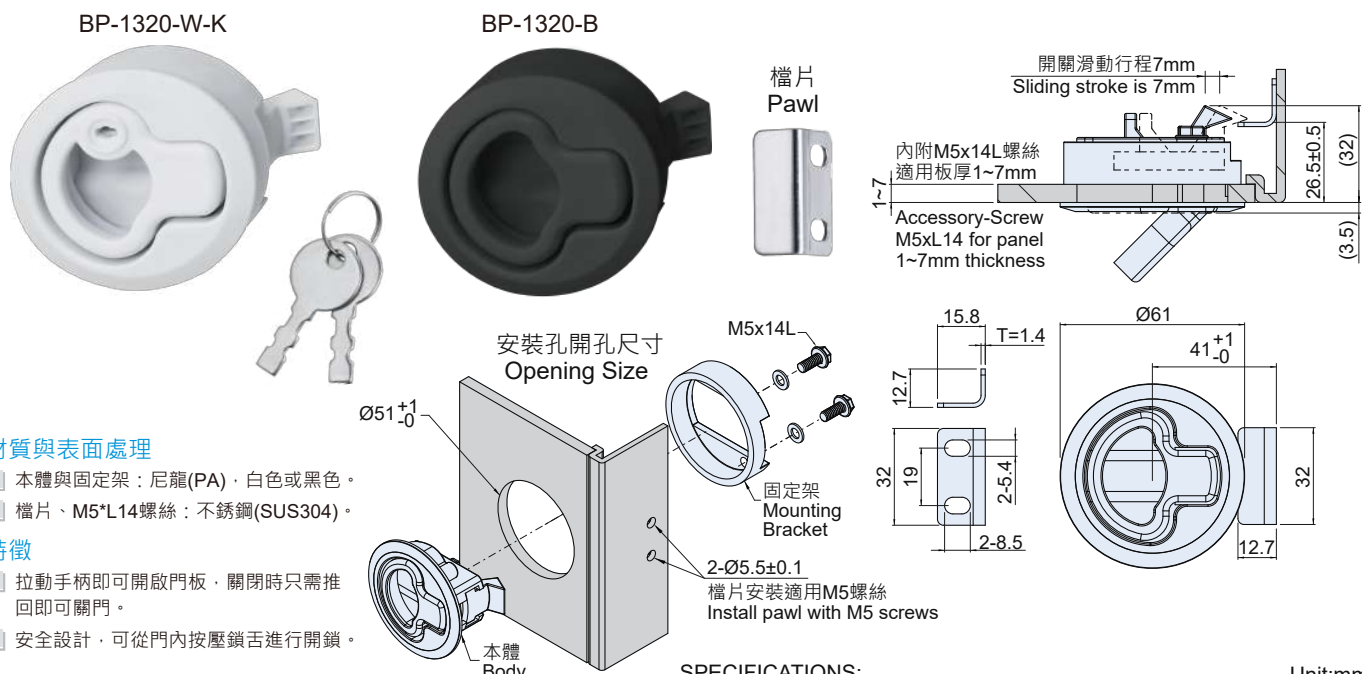
FEATURES

- Open door by pulling handle. Close door by pushing panel, no need to pull handle again.
- Security design: user can unlock by pressing latch inside the door.

SPECIFICATIONS:

Unit:mm

產品編號 Item No.	型式 Type	材質 Material	表面處理 Finish	重量 Weight(g)
BS-1320-A	無鎖芯 Without Lock	SUS316	亮面拋光 High gloss polished	300
BS-1320-A-K	有鎖芯 With Lock			319



材質與表面處理

- 本體與固定架：尼龍(PA)，白色或黑色。
- 槽片、M5*L14螺絲：不銹鋼(SUS304)。

特徵

- 拉動手柄即可開啟門板，關閉時只需推回即可關門。
- 安全設計，可從門內按壓鎖舌進行開鎖。

MATERIAL AND FINISH

- Body and Mounting Bracket: Nylon(PA). White or Black.
- Pawl and M5*L14 screws : Stainless steel (SUS304).

FEATURES

- Open door by pulling handle. Close door by pushing panel, no need to pull handle again.
- Security design: user can unlock by pressing latch inside the door.

SPECIFICATIONS:

Unit:mm

產品編號 Item No.	型式 Type	材質 Material	表面處理 Finish	重量 Weight(g)
BP-1320-B	無鎖芯 Without Lock	尼龍 Nylon	黑色 Black	68.4
BP-1320-B-K	有鎖芯 With Lock			76.6
BP-1320-W	無鎖芯 Without Lock		白色 White	59
BP-1320-W-K	有鎖芯 With Lock			67.4