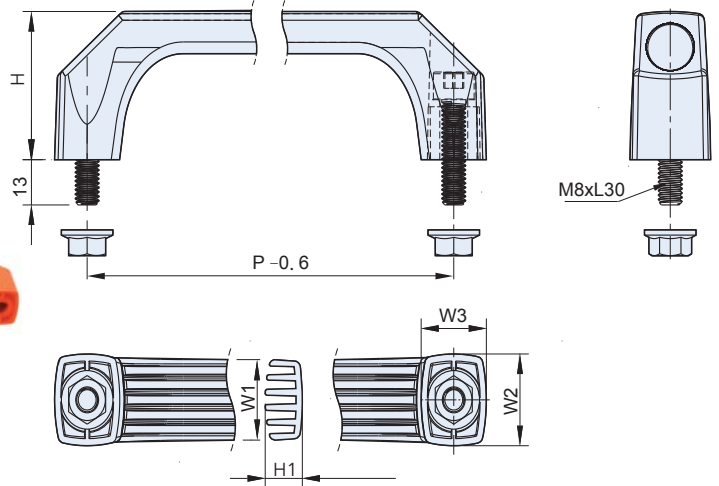


EP-021 Series 握柄把手 Grab Handle



材質與表面處理

- 材質：尼龍加纖(PA6-GF33)。

MATERIAL AND FINISH

- Polyamide (PA6-GF33), Black and orange.

特徵

- 安裝迅速，從外向板面固定螺絲，板面可植入螺母或攻牙。
- 耐熱150°C、耐寒-20°C。
- 附M8螺絲。
- 耐酸鹼、耐油。

FEATURES

- Could be quick installed on the panel with a tapped hole or with a normal hole (by nut), and tight the screw from outside.
- Working temperature: -20°C to 150°C
- With screws M8*30mm length 2pcs.
- Resistance to acid, alkali, greasiness.

有配件包 With screws pack	無配件包 Without screws pack
EP-02120B	EP-022120B
EP-02150B	EP-022150B
EP-02180B	EP-022180B
EP-02120R	EP-022120R
EP-02150R	EP-022150R
EP-02180R	EP-022180R

SPECIFICATION:

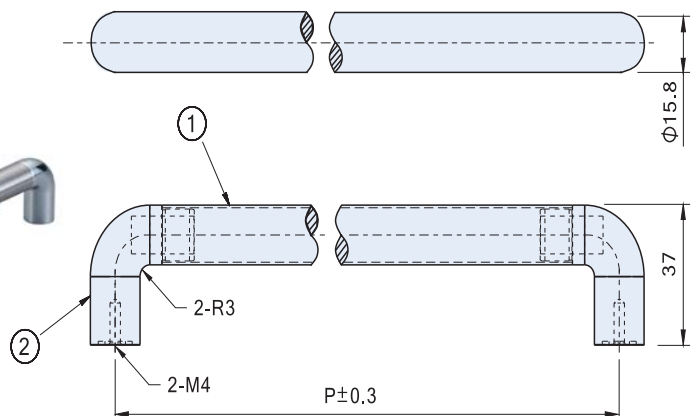
Unit:mm

產品編號 Item no.	尺寸 Dimensions						顏色 Color	荷重 Loading Capacity (kg)	重量 Weight (g)		
	P	H	H1	W1	W2	W3					
EP-02120B	120	42	12	23	26	21	黑 Black	80	90		
EP-022120B									115		
EP-02150B									130		
EP-022150B	150	50	13	23.5	28	23			橘 Orange	90	
EP-02180B										115	
EP-022180B										130	
EP-02120R	120	42	12	23	26	21	橘 Orange	80		90	
EP-022120R										115	
EP-02150R										130	
EP-022150R	150	50	13	23.5	28	23			橘 Orange	80	115
EP-02180R											130
EP-022180R											130

ES-3716 Series 握柄把手 Grab Handle



ES-3716160



材質與表面處理

- 1.手把:不銹鋼(SUS304),毛絲面。
- 2.固定座:鋅合金,鍍鉻。

MATERIAL AND FINISH

- 1.Handle: Stainless steel(SUS304), Brushed finish.
- 2.Holder: Zinc alloy, Chrome plated.

SPECIFICATION:

Unit:mm

產品編號 Item No.	P	荷重 Load Capacity (kg/pcs)	重量 Weight (g)
ES-3716130	130	50	118
ES-3716160	160		122
ES-3716200	200		133