

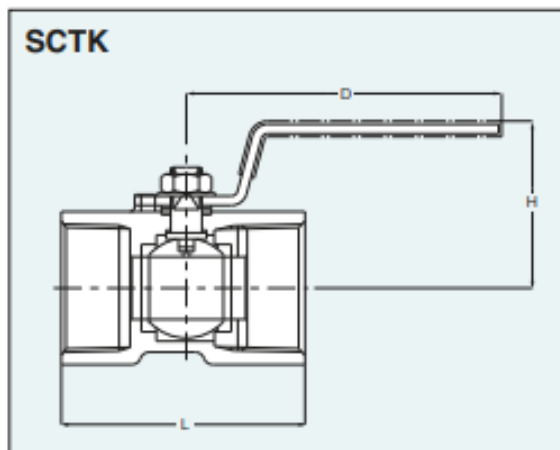
Floating Ball Valves (Threaded or Solder Joint)

Type 600 Carbon Steel Ball Valves

Reduced bore, Uni-body design, Threaded ends

Features

- Blowout-proof stem
- Choice of threaded ends:
 - Rc threads to JIS B0203 (BS 21) (Fig. SCTK)
 - NPT threads to ASME B1.20.1 (Fig. AKSCTK)



Dimensions of SCTK

Unit: mm

Nominal Size	NPS	1/4	3/8	1/2	3/4	1	1 1/4	1 1/2	2
	DN	8	10	15	20	25	32	40	50
Ball bore		4.5	6.8	9.2	12.5	16	20	24.5	32
L		39	44	56.5	59	71	78	83	100
H		30	35	38	42	47	52	63	69
D		60	70	85	85	100	100	125	125

Page 102 for Pressure-Temperature Ratings.

Materials

Parts	Materials
Body	A216 Gr. WCB
Ball	A276 Type 316 or 304*1
Stem	A276 Type 316 or 304*2
Ball seat	G/F PTFE
Gland packing	G/F PTFE
Handle	Plastic covered S.S.

- *1 304 for NPS 1/2 and larger
- *2 304 for NPS 3/4 and larger

End to end dimensions: KITZ standard

Valve operator

Lever operation
T-type handle as option (NPS 3/4 and larger)