

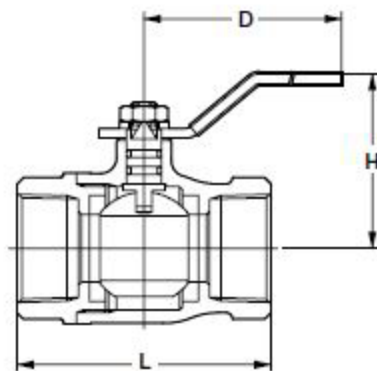
BRASS BALL VALVE, DESIGNED FOR GAS SERVICE

Screwed body cap,
Blowout-proof Stem, Double O-ring stem seals
Threaded ends to BS21

Gas service 40°C 0.98 MPa (142 psi)



Fig. TG



Materials

| Parts | Material |
|------------------|---------------------------------|
| Body | Brass |
| Body cap | Brass |
| Stem | Dezincification Resistant Brass |
| Ball | Brass* |
| Ball seat | PTFE |
| O-ring | NBR |

*Nickel-chrome plated

Dimensions

| Nominal Size | Inch | 1/4 | 3/8 | 1/2 | 3/4 | 1 | 1 1/4 | 1 1/2 | 2 | 2 1/2 | 3 | mm |
|------------------------------|------|-----|-----|-----|-----|-----|-------|-------|-----|-------|-----|----|
| | mm | 8 | 10 | 15 | 20 | 25 | 32 | 40 | 50 | 65 | 80 | |
| L Threaded end to end | | 50 | 50 | 65 | 68 | 79 | 86 | 96 | 109 | 127 | 153 | |
| H Height | | 45 | 45 | 45 | 50 | 55 | 60 | 65 | 75 | 91 | 105 | |
| D Length of Handle | | 60 | 60 | 80 | 80 | 110 | 110 | 110 | 140 | 200 | 300 | |