



**LOW TO MEDIUM  
SECURITY SAFE IDEALLY  
FOR SMALL BUSINESSES  
AND HOMES**

Protect Valuables and documents



# MINI BANKER SAFE

BURGLARY- & FIRE-RESISTANT PROTECTION



## KEY FEATURES

- Body barrier thickness of 65mm; constructed from steel, welded throughout to form a single unit and filled with Chubb safes F60 specially formulated barrier material.
- Overall door thickness of 88mm incorporating a 9mm solid steel plate. Front edge of the door secured by front moving bolts, a full length docking bolt secure back edge. Each front bolt measures 25mm in diameter.
- Fitted with a 3-wheel Keyless Combination Lock protected by a String Relocker and a 8 - lever Key Lock. Both locks are operate independently. The key lock and relocker are further protected by drill resistant hard plates.
- Fire Resistance - Tested to a level corresponding to Japanese Industrial Standard JIS 1037:1989 for 40 minutes fire rating.
- A Polyurethane base paint finish is used to coat the body and door. The paint is both scratch resistant and durable.

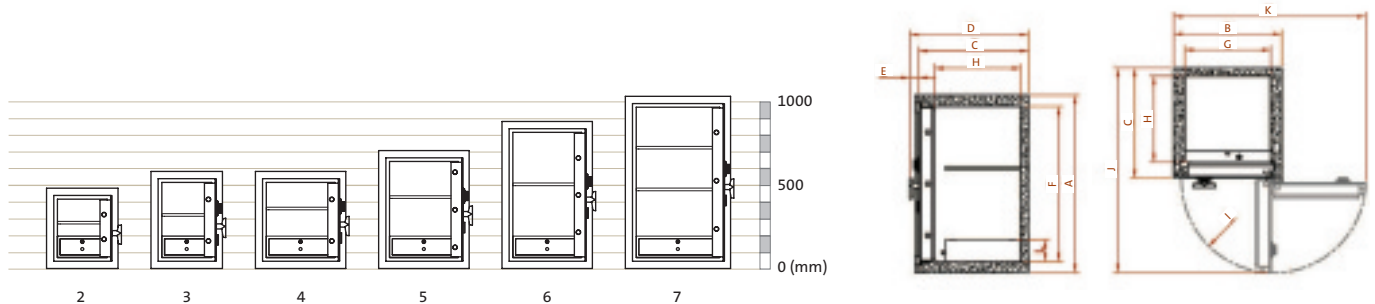
# MINI BANKER SAFE

## PRODUCT SPECIFICATIONS

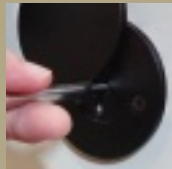
### Product Specifications

Size	(A) External Height (mm)	(B) External Width (mm)	(C) External Depth (mm)	(D) Clear depth over hinge	(F) Internal Height (mm)	(G) Internal Width (mm)	(H) Internal Depth (mm)	(I) Door Swing	(J) Depth with door at 90°	(K) Width when door fully open	Nett weight (kgs)	Gross weight (kgs)	capacity (Litres)	Approx. net weight with night drawer trap
2	488	435	445	499	358	305	305	340	797	726	160	184	33	240
3	590	435	445	499	460	305	305	340	797	726	190	217	43	270
4	590	550	560	614	460	420	420	454	1026	955	270	304	81	430
5	717	550	560	614	587	420	420	454	1026	955	320	355	103	470
6	894	550	560	614	764	420	420	454	1026	955	380	415	135	530
7	1047	640	650	704	917	510	510	544	1206	1135	520	570	238	745

(E) Furniture Projection 54mm / (L) Drawer height 130mm / Net weight of Safes with Night Drawer Trap is estimate with tolerances of ±15%

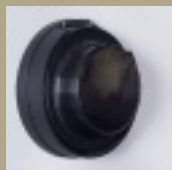


### STANDARD LOCKING



#### KEY LOCK

The door is secured by a 8-level double bitted key lock from Germany



#### KEYLESS COMBINATION LOCK

Secured by a High Security 3-wheel Keyless Combination Lock capable of 1,000,000 changes of code. The code can be changed easily and security can be maintained over the safe whenever there is a change of staff.



#### LOCK OPTIONS: ELECTRONIC LOCK

### FITTING

#### SHELF

The safe comes complete with a standard adjustable steel shelf to suit individual requirements. A single lockable fixed drawer also included.

### OPTIONS

#### NIGHT DRAWER TRAP (NDT)

For night deposit with "Anti-Fishing Plate"

Drawer Clear Opening: 239mm(W) x 153mm(H) x 125mm(D)  
Night Drawer Trap External Height: 254mm

#### ENVELOPE SLOT

Envelope slot on the top of the safe for night deposit with "Anti-Fishing Plate".  
Slot size 13mm(W) x 152mm(L)

Authorised dealer

## Wengseng OA Sales & Services

03-80666550 / 80638200 / 80638100  
<https://safebox2u.com.my>