



**PRIMA** *flex*<sup>TM</sup>

## Features



# PRIMAflex™

## Smooth & Flat Sheet

Multipurpose for Internal & External application

**PRIMAflex™** is the first choice in flat sheets of multipurpose fibre cement board among industry professionals for ceilings, partitions, garble ends, wall cladding, paneling, and a host of other building applications. **PRIMAflex™** has a unique combination of physical and mechanical properties that make it superior to other boards.

**PRIMAflex™** is autoclaved for superior durability, flexibility and outstanding dimensional stability. Quality has never been better with the state-of-the-art technology and ultra modern processes employed in the manufacture of **PRIMAflex™**.

**PRIMAflex™** performs exceptionally well when all aspects of good design detailing and workmanship are met. **PRIMAflex™** has demonstrated strong resistance to termite attack based on client Report No. 1844, tested by CSIRO Forest Biosciences.

### Product Benefits

- Termite Resistant
- Weather Resistant
- 100% Asbestos Free
- Dimensionally Stable
- Structurally Strong
- Light Weight
- Fungus Resistant
- Smooth, Flat and Uniform Surface
- Fire Resistant
- Excellent Workability
- Low Maintenance
- Excellent Sound Insulation
- Cost Effective
- Strong and Durable
- Impact Resistant
- Better Heat Insulation

## Properties

## Values

|  |   |  |                |                |                |                |                |                |                |  |                |  |
|--|---|--|----------------|----------------|----------------|----------------|----------------|----------------|----------------|--|----------------|--|
| Product Composition  | <ul style="list-style-type: none"> <li>• Top Grade Cellulose Fibre</li> <li>• Finely Ground Sand</li> <li>• Portland Cement</li> <li>• Water</li> </ul>   |  |                |                |                |                |                |                |                |  |                |  |
| Nominal Density  | 1390kg/m <sup>3</sup>   |  |                |                |                |                |                |                |                |  |                |  |
| Moisture Content   | EMC = 7%  |  |                |                |                |                |                |                |                |  |                |  |
| Moisture Content at Saturation   | 33%   |  |                |                |                |                |                |                |                |  |                |  |
| Minimum Bending Strength, MoR  | DRY = Min 14MPa ; EMC = Min 10MPa ; WET = Min 7MPa  |  |                |                |                |                |                |                |                |  |                |  |
| Fire Rating  | Class O (BS 476.6 & BS 476.7)   |  |                |                |                |                |                |                |                |  |                |  |
| Fungus Resistance  | Passes (ASTM G 21)  |  |                |                |                |                |                |                |                |  |                |  |
| Termite Resistance   | Resistance to Damage (Field evaluation conducted by CSIRO)  |  |                |                |                |                |                |                |                |  |                |  |
| Frost Resistance   | Passed (AS/NZS 2908.2, MS 1296, ISO8336, BS EN 12467, and ASTM C1186 Standard)  |  |                |                |                |                |                |                |                |  |                |  |
| Surface Coating  | Pre-Primed available  |  |                |                |                |                |                |                |                |  |                |  |
| Thermal Conductivity, k Value<br>(Mean temperature of 41.93°C)                   | 0.24W/mK  |  |                |                |                |                |                |                |                |  |                |  |
| Sound Transmission Class*<br>(Estimated based on mass)                           | <table style="width: 100%; border-collapse: collapse;"> <tr> <td style="width: 50%;">4.5 mm - 26 dB</td> <td style="width: 50%;">16.0mm - 35 dB</td> </tr> <tr> <td>6.0 mm - 28 dB</td> <td>18.0mm - 36 dB</td> </tr> <tr> <td>7.5 mm - 29 dB</td> <td>20.0mm - 37 dB</td> </tr> <tr> <td>9.0 mm - 31 dB</td> <td></td> </tr> <tr> <td>12.0mm - 33 dB</td> <td></td> </tr> </table> |  | 4.5 mm - 26 dB | 16.0mm - 35 dB | 6.0 mm - 28 dB | 18.0mm - 36 dB | 7.5 mm - 29 dB | 20.0mm - 37 dB | 9.0 mm - 31 dB |  | 12.0mm - 33 dB |  |
| 4.5 mm - 26 dB   | 16.0mm - 35 dB  |  |                |                |                |                |                |                |                |  |                |  |
| 6.0 mm - 28 dB   | 18.0mm - 36 dB  |  |                |                |                |                |                |                |                |  |                |  |
| 7.5 mm - 29 dB   | 20.0mm - 37 dB  |  |                |                |                |                |                |                |                |  |                |  |
| 9.0 mm - 31 dB   |   |  |                |                |                |                |                |                |                |  |                |  |
| 12.0mm - 33 dB   |   |  |                |                |                |                |                |                |                |  |                |  |
| Length & Width Tolerances<br><small>(full size board of 1220mm x 2440mm)</small> | +0mm, - 2mm of nominal size   |  |                |                |                |                |                |                |                |  |                |  |

## Product sizes and Mass per sheet (kg), based on nominal density

| Width (mm) | Length (mm) | Thickness (mm) |       |       |       |       |       |       |       |                |
|------------|-------------|----------------|-------|-------|-------|-------|-------|-------|-------|----------------|
|            |             | 3.2            | 3.5   | 4.5   | 6     | 7.5   | 9     | 12    | 16    | 20 (laminated) |
| 450        | 2400        |                |       | 6.76  |       |       |       |       |       |                |
| 600        | 2400        | 6.41           | 7.01  | 9.01  | 12.01 |       |       |       |       |                |
|            | 2700        | 7.21           | 7.88  | 10.13 | 13.51 |       |       |       |       |                |
|            | 3000        | 8.01           | 8.76  | 11.26 | 15.01 |       |       |       |       |                |
| 603        | 603         | 1.62           | 1.77  | 2.27  |       |       |       |       |       |                |
|            | 1213        | 3.25           | 3.56  | 4.58  |       |       |       |       |       |                |
| 610        | 1220        | 3.31           | 3.62  | 4.65  | 6.21  |       |       |       |       |                |
| 1220       | 1220        | 6.62           | 7.24  | 9.31  | 12.41 |       |       |       |       |                |
|            | 2440        |                | 14.48 | 18.62 | 24.83 | 31.03 | 37.24 | 49.65 | 66.20 | 82.76          |
| 1200       | 2400        |                |       |       | 24.02 | 30.02 |       | 48.04 | 64.05 |                |

**NOTE:** Highlight sizes  indicates products available in Malaysia.  
 Some products listed may not be available in your area, if in doubt, please check with PRIMA sales representative.  
 Some products may require longer lead time, or is subjected to MOQ. Please check with PRIMA sales representative.  
 Please contact with our friendly PRIMA sales representatives if you require special sizes (MOQ, terms and conditions apply).

# Applications

**PRIMAflex™**  
for Every Requirement



## Ceiling, Eaves & Soffit Linings

**PRIMAflex™** offers versatility and high workability.

Recommended thickness:  
3.2mm, 4.5mm & 6.0mm



## Flooring

**PRIMAflex™** makes remarkably impact-resistant and hard-wearing floors.

Recommended thickness:  
16.0mm - 20.0mm



## Wall Cladding (Internal & External)

**PRIMAflex™** is suitable for wall claddings, both internal and external. Economical and durable.

Recommended thickness:  
6.0mm - 12.0mm



## Permanent Formwork

**PRIMAflex™** is ideal for heavy duty applications such as permanent formwork. By using fibre cement the challenges of conventional formwork can be overcome, such as the use of plywood, difficulty and costliness in erecting scaffolding and rough surface finishing.

Recommended thickness:  
16.0mm - 20.0mm



## Water Tank Support

**PRIMAflex™** with high durability, plus its superior resistance to water, mould and termites, also make **PRIMAflex™** the ideal material for water tank support.

Recommended thickness:  
12.0mm - 20.0mm



## Roof Sarking

With the exceptional heat-insulation, sound-insulation and water-resistance properties, **PRIMAflex™** is the preferred choice for roof sarking application.

Recommended thickness:  
6.0mm - 16.0mm



## Partition & Pocket Wall

**PRIMAflex™** with its superior impact-resistance, fire-resistance and sound insulation properties. Its amazing resistance to water and mould also make it better than either plywood or gypsum, especially for areas with adjoining bathrooms and kitchens, or in situations where the exposure to moisture is high.

Recommended thickness:  
6.0mm - 16.0mm

# Framing & Fixing Specifications

## Framing Requirement

**PRIMAflex™** sheets are suitable for fixing to timber or light gauge steel frames. Construction of framing shall be in accordance with local building practices.

- Stud spacing - 407mm/ 400mm maximum, for 4.5mm sheets and 610mm/ 600mm maximum for 6mm sheets and above
- Nogging spacing - 1220mm/ 1200mm maximum

Stud and nogging face width:-

- Timber - 45mm minimum
- Steel - 38mm minimum

Where necessary, the face width may be increased by providing trim-packing to the side of the studs and noggings

Refer to **PRIMAflex™** Technical Manual for complete installation detail.

## Fastener Specification

Table below show the suitable type of the fastener on the right farming:

### Fixing to Timber Support

Galvanised Fibre Cement Nails



- Min 2.0mmØ x 25mm for 3.2mm and 4.5mm thick boards
- Min 2.0mmØ x 30mm for 6.0mm and 7.5mm thick boards
- Min 2.0mmØ x 40mm for 9.0mm and 12.0mm thick boards

### Fixing to Steel Support

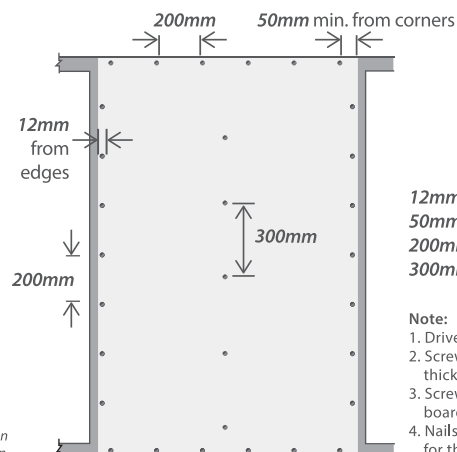
(0.75mm to 1.55mm Base Metal Thickness)



- No. 8 x 7/8" (22.0mm) for thick board from 4.5mm up to 6mm
- No. 8 x 1-1/8" (28.0mm) for thick board from 7.5mm up to 12mm
- No. 8 x 1-1/4" (32.0mm) for thick board from 12mm up to 16mm
- No. 8 x 1-3/4" (44.0mm) for thick board from 18mm up to 20mm

*Other type of screws may also be suitable, but method of application could vary. Refer to screw manufacturer for proper recommendation.*

### Fastener Fixing Distance



12mm min. from edge  
50mm min. from corner  
200mm centres max. at sheet perimeter  
300mm centres max. elsewhere

Note:

1. Drive nail head flush with board surface.
2. Screw fixing is only suitable for 6mm thick board and above.
3. Screw head must be embedded below board surface.
4. Nails and screw must be suitable coated for the intended applications.

# Fire Resistance

**PRIMAflex™** is non-combustible based on test by CSIRO to AS 1530.1 standard. It is eminently suitable where non-combustible materials are required in accordance with C1.12 of the Building Code of Australia.

**PRIMAflex™** has been tested in accordance with AS 1530.3; Simultaneous Determination of Ignitability, Flame Propagation, Heat Release and Smoke Release.

- Ignitability Index 0
- Spread of Flame Index 0
- Heat Evolved Index 0
- Smoke Developed Index 0 - 1

**PRIMAflex™** also has been tested in accordance with AS/NZS 3837, a method of test for heat and smoke release rates for materials and products using an oxygen consumption calorimeter at 50kW/m<sup>2</sup> and it has been classified as Group 1 material based on specification A2.4 and C1.10a of the Building Code of Australia.

**PRIMAflex™** has tested to BS 476 Part 6 & 7 and meet the Bomba Class O requirement.

# Appraisals

## (Volume 1 - Class 2 to Class 9 Buildings)

**PRIMAflex™** Cladding Eaves Lining Boards have been appraised by CSIRO in meeting the requirements of Clauses CP4, FP1.4, P2.2.2 and P2.3.1 of the Building Code of Australia 2006.

## (Volume 2 - Class 1 and Class 10 Buildings Housing Provisions)

OPUS International Consultants Limited, New Zealand has determined the compliance of **PRIMAflex™** boards to AS/NZS 2908.2. Cellulose-cement products, Part 2 - Flat Sheets.

# Handling & Storage

## Storage



- Store sheets neatly on a flat surface supported evenly with bearers spaced at **600mm** centres maximum, clear of the ground to avoid damage and moisture ingress.
- Store under cover and ensure sheets are dry prior to fixing. Never install damp sheets. Damp Sheets must be allowed to dry to Equilibrium Moisture Content (EMC) before fixing.



## Handling

- Always ensure at least 2 persons are lifting the board at the same time in an upright position.
- Do not hold on each end on edge.
- Exercise care when handling **PRIMAflex™** to avoid damaging the corner.

AS/NZS  
2908.2

ASTM  
C1186

Fire Resistance  
AS 1530.3

Termite Resistance -  
tested by CSIRO



PPS (BAHAN BINAAN)  
No. Perakuan: A 004294  
A 003942



BAHAN KELAS 'O'  
BS 476 : PART 6 : 1989  
BS 476 : PART 7 : 1987



MyHP00175/16



041-026  
MADE FROM RECYCLED MATERIALS



SIRIM  
ECO-LABEL  
License No.  
ELH0000001



CERTIFIED TO MS 1298 : 2010  
Certification No. PH 000605



CERTIFIED TO ISO 9001 : 2015  
CERT. NO. : QMS 00214



CERTIFIED TO ISO 14001 : 2015  
CERT. NO. : EMS 00481



CERTIFIED TO OHSAS 18001 : 2007  
CERT. NO. : OHS 00386



Certified to ISO 8336:2009  
Certification No. PH000613



Termite Resistant



Fire Resistant



Water Resistant



Weather Resistant



100% Asbestos free



Superior Paint Adhesion



High Workability



Aesthetically Pleasing



50 Years Durability

## WARRANTY

Hume Cemboard Industries Sdn Bhd ("the Company") warrants that it will at all times ensure that the products referred to herein ("the Products") shall be supplied by it to the purchaser free of any manufacturing defects and defective materials used in their manufacture.

In the event and if contrary to this assertion the Products prove to be defective, whether as a result of manufacturing defects or arising from the Company's use of defective materials, the Company will supply replacement Products. The Company shall, however, have the option and may choose to reimburse the purchaser the purchase price of the Products instead. The Company shall not be liable for any economic or consequential losses arising from any use of defective Products.

This warranty shall be void unless the purchaser has, in its handling and installation of the Products, complied with the recommendations contained in this brochure and other good building practices expected of a reasonable purchaser.

## ADVISORY NOTE

Successful installations of Hume Cemboard Industries Sdn Bhd's Products depend on a large number of factors that are outside of the scope of this brochure. Particular design, detail, construction requirements and workmanship are beyond the control of the Company. As such, Hume Cemboard Industries Sdn Bhd's warranty does not extend to non-usability of Products or damage to Products arising from poor or defective designs or systems or poor quality of workmanship in the installation of Products.

The information stated in this brochure is correct at time of printing, and subject to change without notice. For the latest product update please refer to [www.primafibreceement.com](http://www.primafibreceement.com).

For more information, please contact us at:



A Member of the Hong Leong Group

No. 12 Jalan Tandang, 46050 Petaling Jaya, Selangor, Malaysia.

Tel: +603 7781 1977

Fax: +603 7625 7822

Email: [sales@humecemboard.com.my](mailto:sales@humecemboard.com.my)

[www.primafibreceement.com](http://www.primafibreceement.com)

PrimaHCI