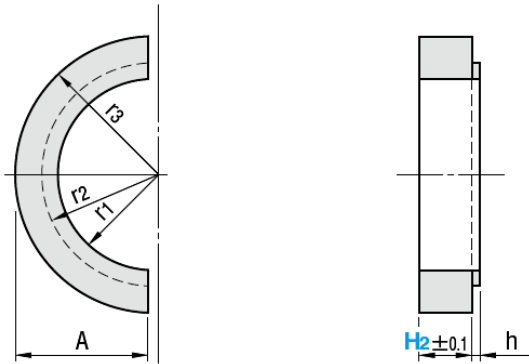


STROKE END BLOCK

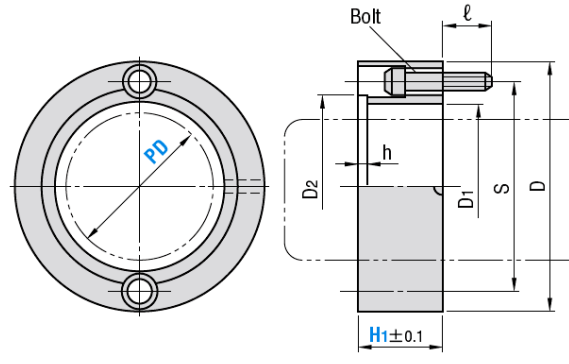
CEB (END BLOCK)

CSB (STOCK BLOCK)

CSB (STOCK BLOCK)



CEB (END BLOCK)



Dimension: MM

PD Post Diameter	D	D ₁	D ₂	S	h	r ₁	r ₂	r ₃	A	③	ℓ
25	46	31.5	36	37	2	15.75	18	23	22	M4 x P0.7	10
32	56	41	45	45		20.50	22.5	28	27		
38	72	49	56	60	3	24.50	28	36	35	M5 x P0.8	
50	86	62	68	72		31	34	43	42	M6 x P1.0	
60	112	76	84	92		38	42	56	55	M8 x P1.25	12
80	140	100	108	116		50	54	70	69		

Catalog No.		H1 5mm Increments	Colour
Type	PD		
CEB (End Block)	25	10 ~ 50	R (Red)
	32	10 ~ 50 55 ~ 60	
	38	15 ~ 50 55 ~ 70	
	50	20 ~ 50 55 ~ 80	Y (Yellow)
	60	20 ~ 50 55 ~ 80	
	80	20 ~ 50 55 ~ 80	

Catalog No.		H1 5mm Increments	Colour
Type	PD		
CSB (Stock Block)	25	10 ~ 20 25 ~ 40	R (Red)
	32	10 ~ 20 25 ~ 40	
	38	10 ~ 20 25 ~ 50	
	50	10 ~ 20 25 ~ 50	Y (Yellow)
	60	10 ~ 20 25 ~ 50	
	80	10 ~ 20 25 ~ 50	