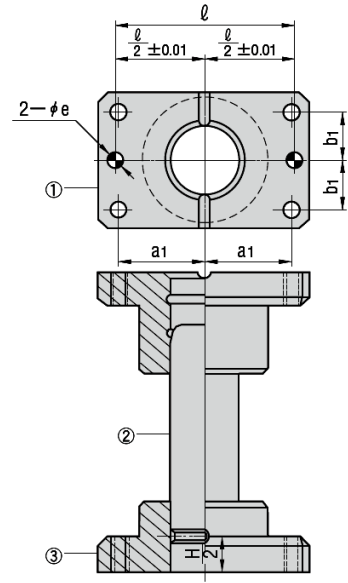
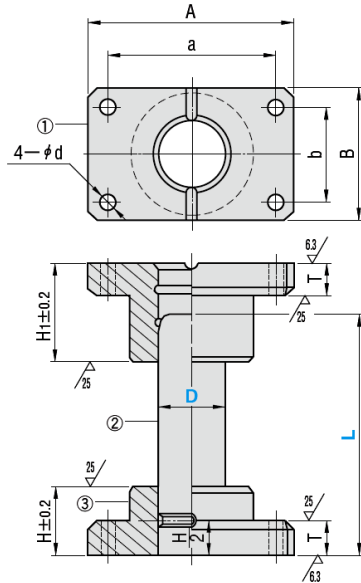


JAPAN STANDARD GUIDE POST SPECIFICATION

MY (PLAIN BUSH)

MYP (PLAIN BUSH WITH DOWEL PIN HOLE)



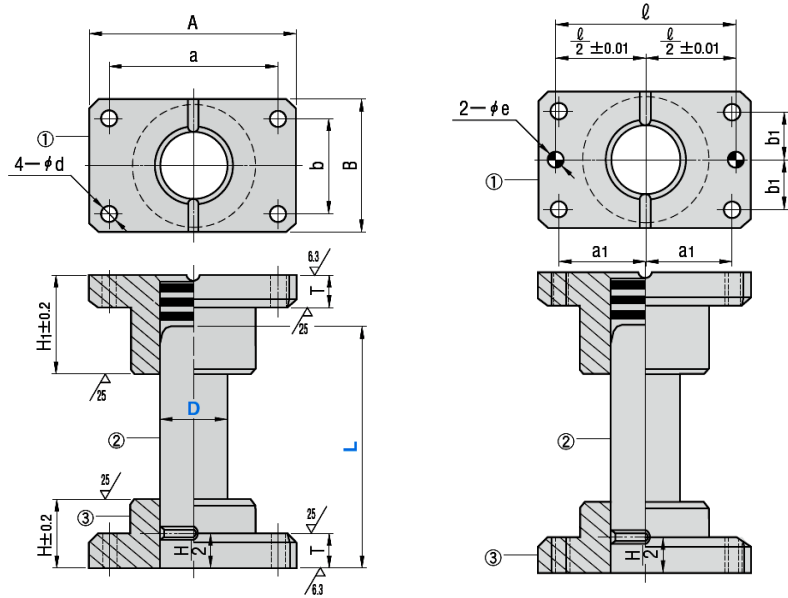
Dimension: MM

D	A	B	a	b	d	H	H ₁	T	ℓ	a ₁	b ₁	e _{H7}	④ Cap Screws	⑤ Dowel Pin	
20	74	44	56	30	6.6	30	40	15	56	28	15	6	+0.012 0	CB 6 - 30	MSTM 6 - 20
25	84	48	66	30	9	30	45	20	66	33	15	8	+0.015 0	CB 8 - 35	MSTM 8 - 30
32	100	58	76	36	11	40	50	20	76	38	18	8		CB 10 - 40	MSTM 8 - 30
38	130	75	100	44	11	50	60	25	100	50	22	10	+0.018 0	CB 10 - 45	MSTM 10 - 40
50	155	90	125	60	14	65	85	25	125	62.5	30	10		CB 12 - 50	MSTM 10 - 40
60	190	120	150	80	18	75	100	30	150	75	40	13	+0.018 0	CB 16 - 60	MSTM 13 - 50
80	230	150	180	110	22	100	130	35	190	90	55	16		CB 20 - 75	MSTM 16 - 60

Catalog No.		L													
Type	D														
MY	20	80	90	110	120	130	140	150	160						
	25	80	90	110	120	130	140	150	160	170	180	200			
MYP	32	90	110	120	130	140	150	160	170	180	200	220	250		
	38	110	120	130	140	150	160	170	180	200	220	250	280	300	
	50	160	170	180	200	220	250	280	300	350					
	60	180	200	220	250	280	300	350	400						
	80	250	280	300	350	400	450								

MYZ (OIL-FREE TYPE)

MYZP (OIL-FREE TYPE WITH DOWEL PIN HOLE)



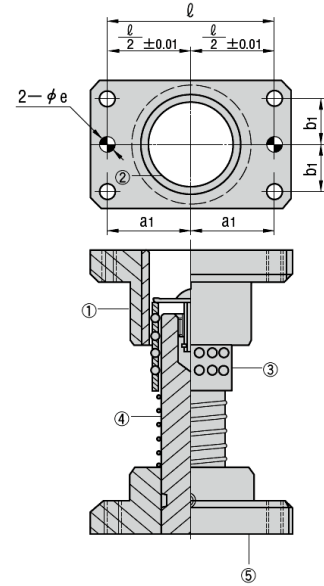
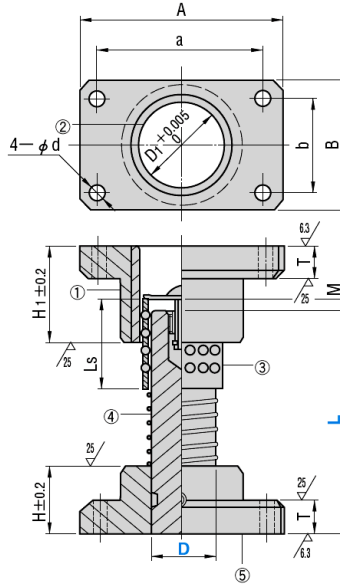
Dimension: MM

D	A	B	a	b	d	H	H ₁	T	ℓ	a ₁	b ₁	e _{H7}	④ Cap Screws	⑤ Dowel Pin	
20	74	44	56	30	6.6	30	40	15	56	28	15	6	+0.012 0	CB 6 - 30	MSTM 6 - 20
25	84	48	66	30	9	30	45	20	66	33	15	8	+0.015 0	CB 8 - 35	MSTM 8 - 30
32	100	58	76	36	11	40	50	20	76	38	18	8		CB 10 - 40	MSTM 8 - 30
38	130	75	100	44	11	50	60	25	100	50	22	10		CB 10 - 45	MSTM 10 - 40
50	155	90	125	60	14	65	85	25	125	62.5	30	10	+0.018 0	CB 12 - 50	MSTM 10 - 40
60	190	120	150	80	18	75	100	30	150	75	40	13		CB 16 - 60	MSTM 13 - 50
80	230	150	180	110	22	100	130	35	190	90	55	16		CB 20 - 75	MSTM 16 - 60

Catalog No.		L																
Type	D																	
MYZ	20	80	90	110	120	130	140	150	160									
	25	80	90	110	120	130	140	150	160	170	180	200						
	32		90	110	120	130	140	150	160	170	180	200	220	250				
MYZP	38			110	120	130	140	150	160	170	180	200	220	250	280	300		
	50								160	170	180	200	220	250	280	300	350	
	60										180	200	220	250	280	300	350	400
	80													250	280	300	350	400

MYA (BALL BEARING TYPE)

MYAP (BALL BEARING TYPE WITH DOWEL PIN HOLE)



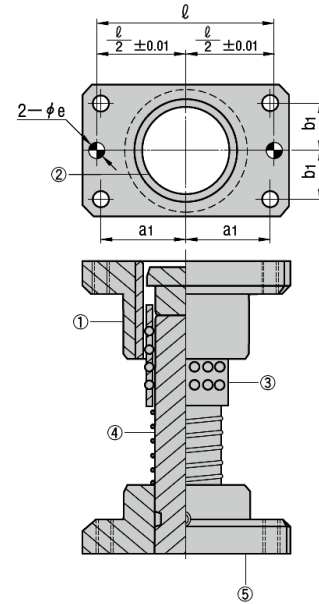
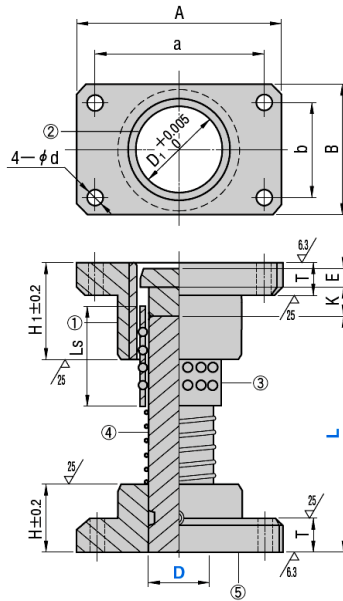
Dimension: MM

D	D ₁	A	B	a	b	d	H	H ₁	T	L _s	M	ℓ	a ₁	b ₁	e _{H7}	④ Cap Screws	⑤ Dowel Pin	
20	26	74	44	56	30	6.6	30	50	15	50	0 ~ 20	56	28	15	6	+0.012 0	CB 6 - 30	MSTM 6 - 20
25	31	84	48	66	30	9	30	50	20	50	0 ~ 20	66	33	15	8	+0.015 0	CB 8 - 35	MSTM 8 - 30
32	40	100	58	76	36	11	40	60	20	60	0 ~ 25	76	38	18	8		CB 10 - 40	MSTM 8 - 30
38	48	130	75	100	44	11	50	70	25	70	0 ~ 29	100	50	22	10		CB 10 - 45	MSTM 10 - 40
50	60	155	90	125	60	14	65	90	25	90	0 ~ 42	125	62.5	30	10		CB 12 - 50	MSTM 10 - 40

Catalog No.		L																
Type	D																	
MYA	20	90	100	110	120	130	140	150	160									
	25	90	100	110	120	130	140	150	160	170	180	200						
	32			110	120	130	140	150	160	170	180	200	220	240	260			
MYAP	38					130	140	150	160	170	180	200	220	240	260	300		
	50									170	180	200	220	240	260	300	350	

MYAK (BALL BEARING TYPE – FIXED STOPPER)

MYK (BALL BEARING TYPE – FIXED STOPPER WITH DOWEL PIN HOLE)



Dimension: MM

D	D ₁	A	B	a	b	d	H	H ₁	T	K	E	L _s	ℓ	a ₁	b ₁	e _{H7}	④ Cap Screws	⑤ Dowel Pin	
25	31	84	48	66	30	9	30	50	20	20	5	50	66	33	15	8	+0.015 0	CB 8 - 35	MSTM 8 - 30
32	40	100	58	76	36	11	40	60	20	25	5	60	76	38	18	8		CB 10 - 40	MSTM 8 - 30
38	48	130	75	100	44	11	50	70	25	30	10	70	100	50	22	10		CB 10 - 45	MSTM 10 - 40
50	60	155	90	125	60	14	65	90	25	40	10	90	125	62.5	30	10		CB 12 - 50	MSTM 10 - 40
60	70	190	120	150	80	18	75	100	30	50	15	100	150	75	40	13	+0.018 0	CB 16-60	MSTM 13 - 50

Catalog No.		L																	
Type	D																		
MYAK	25	90	100	110	120	130	140	150	160	170	180	200							
	32			110	120	130	140	150	160	170	180	200	200	240	260				
	38					130	140	150	160	170	180	200	200	240	260	300			
MYKP	50									170	180	200	220	240	260	300	350		
	60											200	220	240	260	300	350		