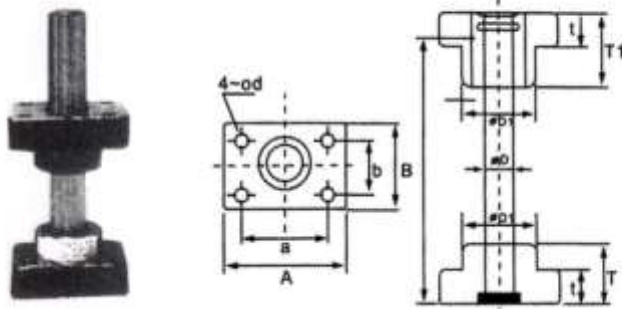


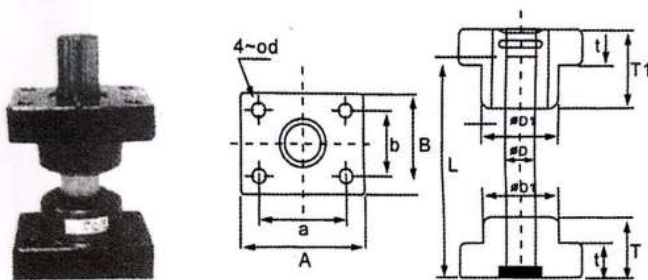
“LOYAL” TU Series (Guide Post) Specifications 独立柱 (导柱)

TU Type



SIZE	D	A	B	a	b	d	T	T1	t	D1
19	19	60	40	46	26	6.5	30	30	15	34
25	25	74	54	50	36	8.5	35	35	20	44
31	31	88	64	62	42	11	40	40	20	54
38	38	110	80	78	48	11	45	45	25	66
45	45	126	92	90	58	13	60	60	30	78
50	50	132	98	96	64	13	65	65	30	84

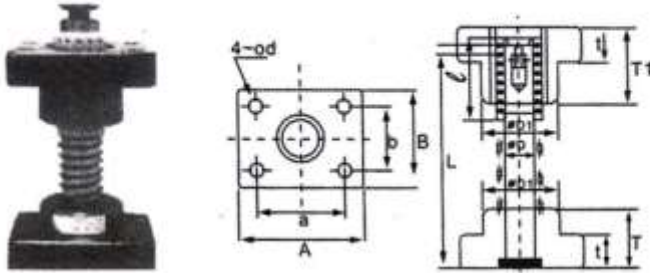
TUB Type



SIZE	D	A	B	a	b	d	T	T1	t	D1
19	19	74	54	50	36	8.5	35	35	20	44
25	25	88	64	62	42	11	40	40	20	54
31	31	110	80	78	48	11	45	45	25	66
38	38	126	92	90	58	13	60	60	30	78
45	45	132	98	96	64	13	65	65	30	84
50	50	152	106	110	66	17	75	75	35	92

“LOYAL” TU Series (Guide Post) Specifications 独立柱 (导柱)

TUR Type



SIZE	D	A	B	a	b	d	T	T1	t	D1	ℓ	S
19	19	74	54	50	36	8.5	35	45	20	44	43	0-16
25	25	88	64	62	42	11	40	50	20	54	48	0-19
31	31	110	80	78	48	11	45	55	25	66	53	0-19
38	38	126	92	90	58	13	60	70	30	78	68	0-26
45	45	132	98	96	64	13	65	75	30	84	73	0-28
50	50	152	106	110	66	17	75	85	35	92	83	0-33

DIMENSION: MM

TAN UNIT PRICE LIST 独立柱报价单				
POST Dia. (D) 柱直径	POST LENGTH 柱长度 (L)	UNIT PRICE 价格		
		TU	TUB	TUR
19	80, 100	.	.	.
	120, 130, 150	.	.	.
	160	.	.	.
25	80, 100	.	.	.
	120, 130, 150	.	.	.
	160, 180, 200	.	.	.
	220	.	.	.
	250	.	.	.
31	80, 100	.	.	.
	120, 130, 150	.	.	.
	160, 180, 200	.	.	.
	220	.	.	.
	250	.	.	.
38	120, 130, 150	.	.	.
	160, 180, 200	.	.	.
	220, 250	.	.	.
	280, 300	.	.	.
50	150, 160	.	.	.
	180, 200	.	.	.
	220, 250	.	.	.
	280, 300	.	.	.

SPECIAL SIZE ORDERS ARE WELCOME 欢迎订造各种特殊规格

How to Order : TYPE - D^o - L x Qty
Catalog No : TU 25x100 10pcs
Time of Delivery: Ready Stock