



LOYAL TOOLS

LOYAL TOOLS SDN. BHD. (500124-A) - HQ
NO. 5, JALAN USJ 1/33, TAMAN SUBANG PERMAI, 47500 SUBANG JAYA,
SELANGOR DARUL EHSAN, MALAYSIA.
Tel: +603.8024.7586 Fax: +603.8024.7542 E-mail: sales@loyaltools.com.my

SANDSUN ISO 9001 CE

MANAGING PHILOSOPHY

Moderate & Reliable Aggressive & Creative
Demanding for Perfection Constant Operation

QUALITY POLICY

Quality Stability Customer Satisfaction

經營理念

穩健踏實 精進創新 止於至善 永續經營

品質政策

品質穩定 客戶肯定

山田順精機股份有限公司

SANDSUN PRECISION MACHINERY CO.,LTD.

台灣省彰化縣大村鄉中山路三段57巷7號
NO.7, LANE 57, SEC.3, CHUNG-SHAN RD., DAH-TSUEN,
CHANG-HWA, TAIWAN.

E-mail:sa2@sandsun.com.tw (台灣)

sa3@sandsun.com.tw (abroad)

sa4@sandsun.com.tw (abroad)

TEL: +886-4-8536688 FAX: +886-4-8536699

山田順精密機械(蘇州)有限公司

SANDSUN PRECISION MACHINERY (SUZHOU) CO.,LTD.

江蘇省蘇州市吳中區角直鎮楓庄路
FENGZHUANG ROAD, LUZHI TOWN, WUZHONG DISTRICT,
SUZHOU CITY, JIANGSU, CHINA

E-mail:sandsun_sz@126.com

TEL:0512-66026635 FAX:0512-66026637

東莞服務處

東莞市虎門鎮東風管理區東北村新區二路
TEL:0769-85569867 FAX:0769-85569867



03 5.7403
53 3.7253
53 3.7253
91 2.7191
08 2.8518
92 2.3392
96 2.8396
51 12.151
78 2.0278
71 3.7671
35 5.3035
26 2.3726
85 8.1575
04 13.1604
53 14.053
56 6.7756
92 3.7392
71 7.0571
09 10.409
91 20.4691
53 2.8153
47 7.1747
75 8.1575
53 14.053
11 6.5911
71 3.7671
03 5.7403
28 6.8128
03 5.7403
53 3.7253
53 3.7253
91 2.7191
18 2.8518
92 2.3392
96 2.8396
51 12.151
78 2.0278
71 3.7671
35 5.3035
26 2.3726
85 8.1575
04 13.1604
53 14.053
56 6.7756
92 3.7392
71 7.0571
09 10.409
91 20.4691

QUICK DIE CHANGE SYSTEM
快速換模系統



沖床
PRESS
油壓機
HYDRAULIC PRESS

QUICK DIE CHANGE SYSTEM

CONTENTS / 目錄

- P1) QUICK DIE CHANGE SYSTEM
快速換模系統
- P3) SELECTION OF SYSTEM COMPONENTS
選用規範
- P4) AIR DRIVEN HYDRAULIC PUMP UNIT
氣動油壓泵浦單元
- P5) CLAMP
夾具
- P7) AUTO SLIDE CLAMP
自走式夾具
- P8) ROD SWING CLAMP
搖擺式夾具
- P9) ROTARY DIE CLAMP
旋轉夾具
- P10) DIE LIFTER (HYDRAULIC)
舉模滑軌 (油壓式)
- P12) DIE LIFTER (SPRING)
舉模滑軌 (彈簧式)
- P13) DIE ARM
移模支臂
- P16) DIE ARM (HEAVY DUTY)
移模支臂 (荷重型)
- ACCESSORIES
相關配件
- P17) MOLD FLIP DEVICE
模具翻轉機
- P18) Data Required Form
訂購資料表

QUICK DIE CHANGE SYSTEM 快速換模系統

It's an era for making high frequency of die changing with multiple patterns and small quantity. In order to save die changing time and ensure operational safety, it is just in time to apply Quick Die Change System.

迎接少量多樣高頻率換模生產形態的時代，爭取換模時效、確保操作安全—正是導入快速換模系統的最佳時機。

APPLICATION

- PRESS & HYDRAULIC PRESS
- DIFFERENT AUTOMATIC MACHINE CLAMP SYSTEM

適用於

- 沖床、油壓機
- 各種自動化機台夾持系統

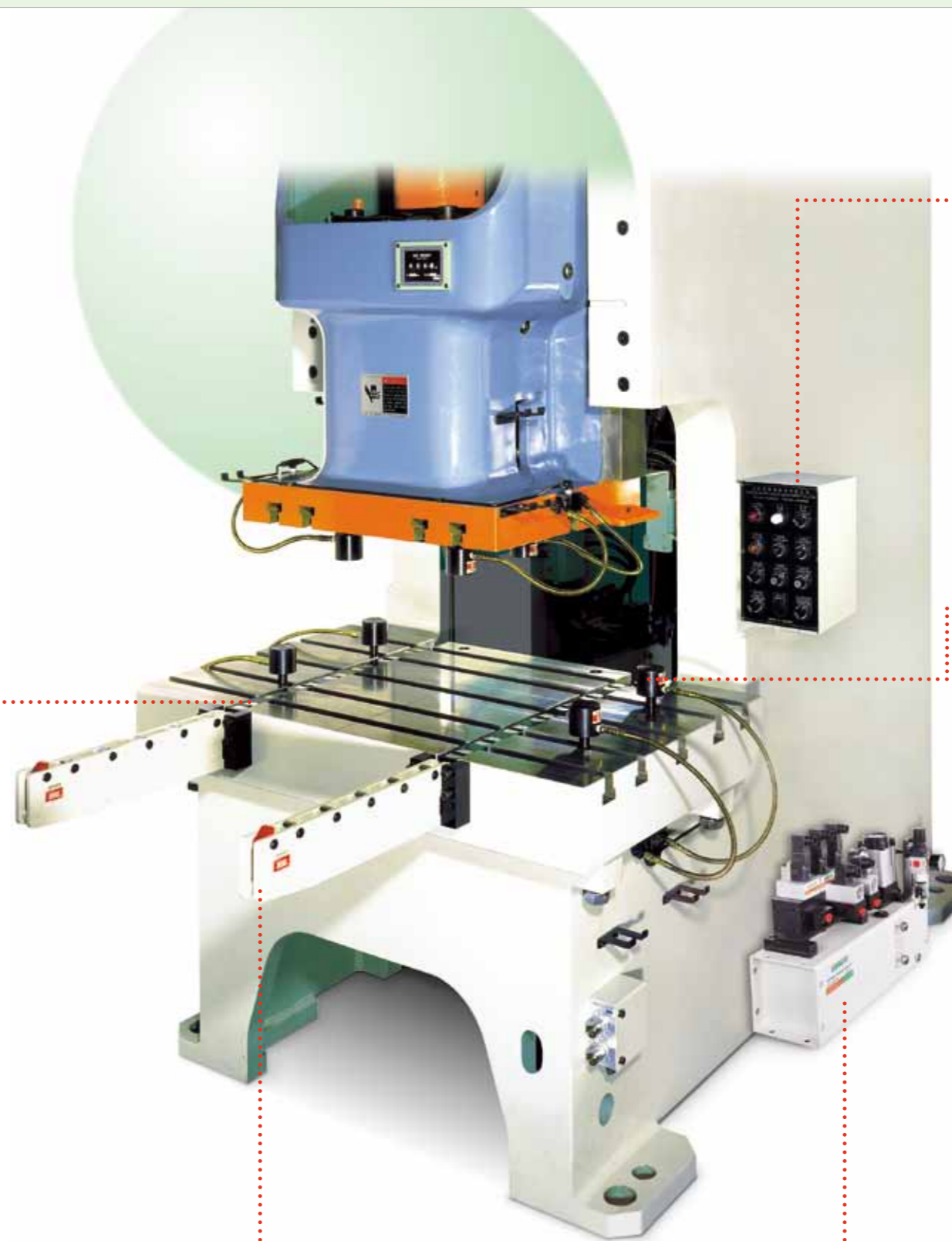
DIE LIFTER 舉模滑軌

- | | |
|-----------------------------------------------------------------------------------------------------------------------------------------------------------------------------------------------------------------------------------------------------------------------------------------------------------------------------------------------------------------------------------------------------------------------------------------------------------------------------------------------------------------------------|----------------------------------------------------------------------------------------------------------------------------------------------------------------------------------------------------------------------------------------------------------------------------------------------------------------------------------------------------------------------------------------------------------|
| <ul style="list-style-type: none"> ● Model:DL, DB <ol style="list-style-type: none"> 1. Hydraulic type 2. Install in the T-slot or U-slot ● Model:DS <ol style="list-style-type: none"> 1. Spring type 2. Spread equally and install in the plate. ● Model:DLS <ol style="list-style-type: none"> 1. Spring type 2. Install in the T-slot or U-slot | <ul style="list-style-type: none"> ● DL、DB型 <ol style="list-style-type: none"> 1. 油壓式 2. 裝置於台盤T型槽或U槽 ● DS型 <ol style="list-style-type: none"> 1. 彈簧式 2. 平均分散於台盤上 ● DLS型 <ol style="list-style-type: none"> 1. 彈簧式 2. 裝置於台盤T型槽或U槽 |
|-----------------------------------------------------------------------------------------------------------------------------------------------------------------------------------------------------------------------------------------------------------------------------------------------------------------------------------------------------------------------------------------------------------------------------------------------------------------------------------------------------------------------------|----------------------------------------------------------------------------------------------------------------------------------------------------------------------------------------------------------------------------------------------------------------------------------------------------------------------------------------------------------------------------------------------------------|



DIE ARM 移模支臂

- | | |
|---------------------------------------------------------------------------------------------------------------------------------------------------------------------------------------------|-----------------------------------------------------------------------------------------------------|
| <ul style="list-style-type: none"> ● Can pull out and push in the die from the plate easily. ● There are 4 easy operative ways for the storage when it is not used. | <ul style="list-style-type: none"> ● 可使模具輕易從台盤拉出或推入。 ● 不用時配合操作方便有四種存放方式供選擇。 |
|---------------------------------------------------------------------------------------------------------------------------------------------------------------------------------------------|-----------------------------------------------------------------------------------------------------|



ELECTRONIC CONTROL OPERATION PANEL 電控操作箱

- It is equipped with interlock control switch for connecting to the machine.
- It is designed with safety control device which prevents any operation error.
- 具有與機台連線控制開關。
- 具有防止錯誤操作之安全控制。

DIE CLAMP 夾具

- Replacing the traditional method which uses screws to fix dies.
- Using T-slots to lock or fix directly on the plate.
- 取代傳統用螺絲鎖模方式。
- 利用台盤T型槽鎖固或直接固定於台盤。



AIR DRIVEN HYDRAULIC PUMP UNIT 氣動油壓泵浦單元

- | | |
|--------------------------------------------------------------------------------------------------------------------------------------------------------------------------------------------------------------------------------------|-------------------------------------------------------------------------------------------------------|
| <ul style="list-style-type: none"> ● Capable of pressure inspection and interlocking with machines. ● The movements between each devices will be pinned down mutually in order to ensure operational safety. | <ul style="list-style-type: none"> ● 具檢知功能可與機台連線。 ● 各配備之間的動作亦可互相牽制，以確保最佳操作安全。 |
|--------------------------------------------------------------------------------------------------------------------------------------------------------------------------------------------------------------------------------------|-------------------------------------------------------------------------------------------------------|

THE CHOICE OF AIR DRIVEN HYDRAULIC PUMP UNIT
氣動油壓泵浦單元之選定

Number of Circuit 迴路數	Choice Standard 選用依據	Control Model 控制型式
1	Single. For the operation of the die clamp on the upper or lower die. 單一供上模或下模夾具	NO
1	The operations of the upper and lower die clamps use the same circuit. 上下模夾具使用同一迴路	NO
1	Single. For the operation of the die lifter. 單一供舉模滑軌	NC
2	Separated circuit operation for upper and lower die clamps. 上下模夾具各自迴路分開	NO
2	The same circuit operation for upper and lower die clamps. 上下模夾具使用同一迴路	NO
	One circuit is for the operation of the die lifter. 一迴路供舉模滑軌	NC
3	Separated circuit operation for upper and lower die clamps. 上下模夾具各自迴路分開	NO
	One circuit is for the operation of the die lifter. 一迴路供舉模滑軌	NC

Please refer to Page 4 for the details. 詳述請參閱P4

THE CHOICE OF DIE CLAMP 夾具之選用

Model 選用型式	Choice Standard 選用依據														
<p>CA: The template with the U slot 模板有U型溝</p> <p>CB: The template with no the U slot 模板無U型溝</p>	<ul style="list-style-type: none"> Total clamping force which the machine needs (ΣF) = machine capacity (tons) x 15~20% The ratio of total clamping force is as follows: Upper clamp ($\Sigma F1$) = ΣF x 60% Lower clamp ($\Sigma F2$) = ΣF x 40% Each die clamping force (F) (according to the die clamp quantity(n) for each upper and lower die.) Upper clamp $F = \Sigma F1/n$ (tons) Lower clamp $F = \Sigma F2/n$ (tons) <table border="1"> <thead> <tr> <th>BOLT SIZE</th> <th>M16</th> <th>M18</th> <th>M20</th> <th>M24</th> <th>M30</th> <th>M38</th> </tr> </thead> <tbody> <tr> <td>Clamping force(ton)</td> <td>1-3</td> <td>2-4</td> <td>4-6</td> <td>6-10</td> <td>8-15</td> <td>15-20</td> </tr> </tbody> </table>	BOLT SIZE	M16	M18	M20	M24	M30	M38	Clamping force(ton)	1-3	2-4	4-6	6-10	8-15	15-20
BOLT SIZE	M16	M18	M20	M24	M30	M38									
Clamping force(ton)	1-3	2-4	4-6	6-10	8-15	15-20									

Please refer to Pages 5~9 for the details. 詳述請參閱P5~P9

THE CHOICE OF DIE LIFTER 舉模滑軌之選用

Model 選用型式	Choice Standard 選用依據
DL / DB / DS / DLS	<ul style="list-style-type: none"> The weight of dies and the operational request → Model of die lifter. The size of the plate → the length of the die lifter The size of the T or U slot for installing the die lifter.

Please refer to Pages 10~12 for the details. 詳述請參閱P10~P12

THE CHOICE OF DIE ARM 移模支臂之選定

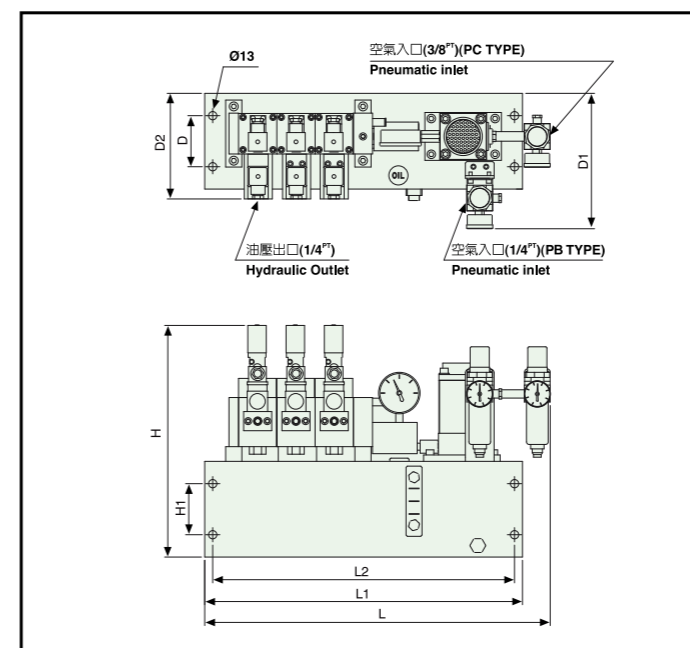
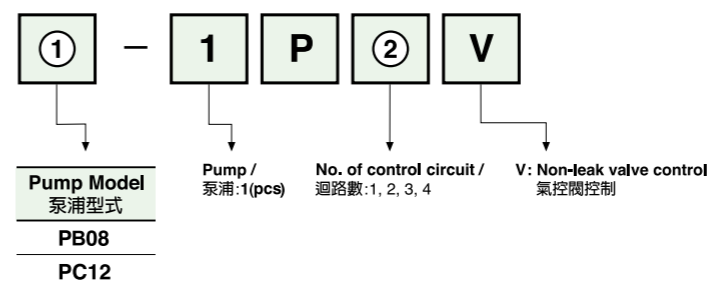
Model 選用型式	Choice Standard 選用依據
RC / RD / RE / RF / RS	<ul style="list-style-type: none"> The size of the die → the length of the arm The weight of the die → the maximum capacity of the arm The method of storage → the model of the arm

Please refer to Pages 13~16 for the details. 詳述請參閱P13~P16

MODEL PB · PC



MODEL SELECTION 型式選定

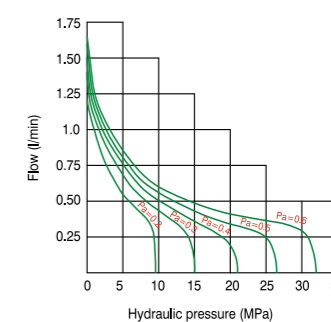


Model 型式	L	L1	L2	H	H1	D	D1	D2	Volume
PB08-1P1V	-	378	353	367	80	80	235	-	6L
PB08-1P2V	-	438	413	367	80	80	235	-	7L
PB08-1P3V	-	498	473	367	80	80	235	-	8L
PB08-1P4V	-	588	563	367	80	80	235	-	10L
PC12-1P3V	560	-	473	367	80	80	-	166	8L

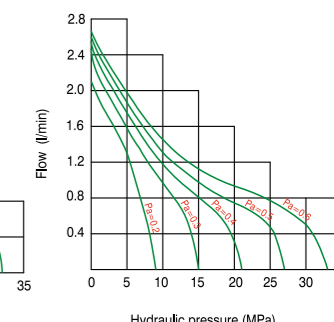
The air combination unit of Model PB08 in the front, and Model PC12 on the right side.
註：PB08型二點組合裝於前方，PC12型裝於右側。

- The hydraulic pump is driven by air. Once the hydraulic pressure reaches the pressure setting, it stops pumping which is energy saving. Meanwhile, if the working pressure reduces, the pump would supply pressure automatically to keep working pressure continuously.
- The circuit control system is designed with the function of checking and avoiding oil leakage. If pneumatic pressure out, the hydraulic pressure still maintains.
- It is capable of pressure inspection and connecting to machines.
- It is suggested to adopt pump model PC12 when used with clamp model CA&CB-16 or 25.
- 利用空氣壓力驅動泵浦，出口油壓達設定壓力即停止作動不需繼續消耗能源，出口壓力下降則自動補壓，具持續保持該壓力功能。
- 迴路控制系統具逆止功能，空氣壓力消失時油壓壓力可保持。
- 具壓力檢知功能，可與機台連線。
- 使用CA及CB-16或25型夾具建議使用PC12型泵浦。

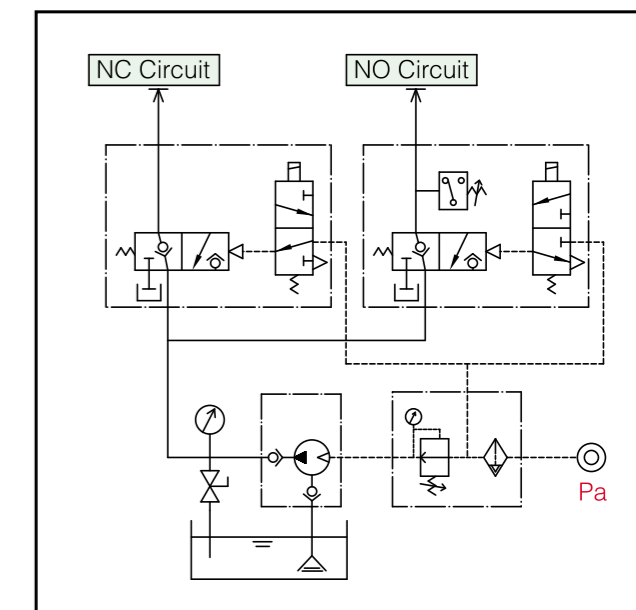
PB08



PC12



Pa : Pneumatic pressure 氣壓壓力 (MPa)

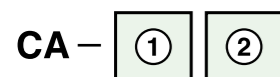


CLAMP 夾具

MODEL CA



MODEL SELECTION 型式選定



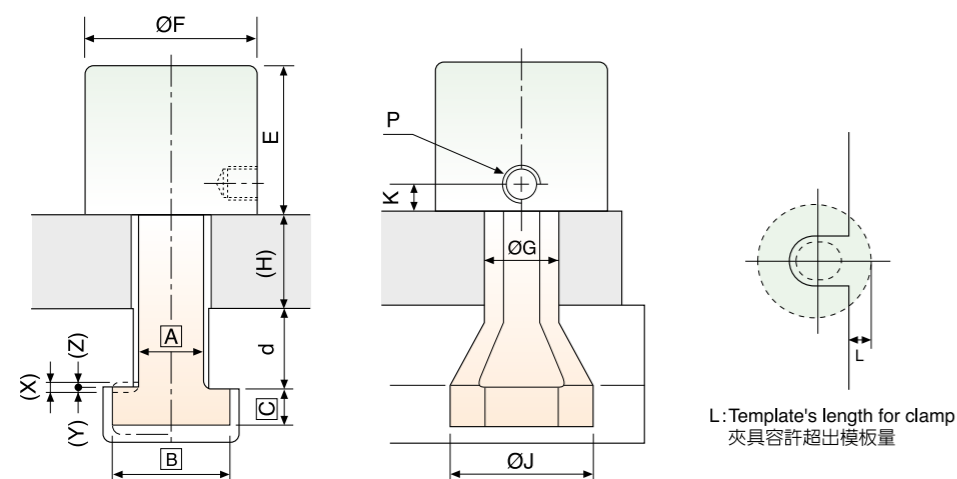
- **EMPTY**: Standard type
無標示: 標準式
- **C**: Pneumatic cylinder movable type
氣缸移動式
- **B**: Fixed type
固定式
- **V**: Temperature-resisting type
耐高溫式

Capacity of clamp / 夾力: 1~25 (tons)

Unit:mm

Model 型式	CA-1	CA-2	CA-4	CA-6	CA-10	CA-16	CA-25
Capacity of clamp 夾力 * tons	1	2	4	6	10	16	25
Total stroke (X) 總行程 (X) mm	6	8	8	8	8	8	8
Stroke of clamp (Y) 夾具行程 (Y) mm	3	4	4	4	4	4	4
Preserved stroke (Z) 預留行程 (Z) mm	3	4	4	4	4	4	4
Total volumn of cylinder 油缸總容量 cc	3	7	13	21	32	54	76
The tolerance of the template thickness (H) 模板厚度允許公差: H mm	±1.5	±2	±2	±2	±2	±2	±2

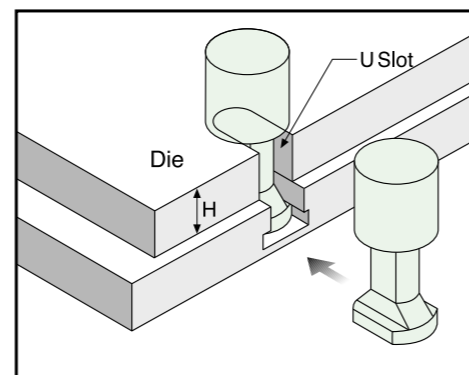
*Hydraulic pressure 使用油壓壓力: 24.5MPa (250kg/cm²) (3550psi)



L: Template's length for clamp
夾具容許超出模板量

Unit:mm

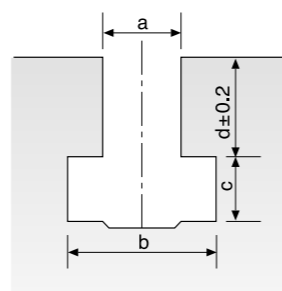
Model 型式	ØF	E	ØG	ØJ	max. H+d	max. L	min. a	K	P
CA-1	44	48	12	30	60	12	8	13.5	PT1/8
CA-2	53	52	16	48	80	17	12	12	
CA-4	65	58	23	58	90	20	16	15	
CA-6	82	65	30	64	100	25	18	15	PT1/4
CA-10	99	71	38	78	110	30	22	15	
CA-16	126	82	45	88	120	38	28	17	
CA-25	150	100	55	98	140	45	36	23	



- Please indicate the size of T slot (a,b,c,d) and the thickness (H) of the template for the die when purchasing.

- 訂購時請指明T槽尺寸 (a,b,c,d) 及夾模處模板厚度 (H)

- T slot



- The sizes of clamps [A], [B] and [C] are made based on the size of T slot.

- If the thickness of clamp (H+d) is more than the max. value listed on the left, it will be regarded as special pattern.

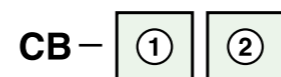
- 夾具 [A][B][C] 尺寸係配合T槽尺寸製作
- 夾緊處厚度 (H+d) 處超出左述最大值, 屬特殊式樣。

CLAMP 夾具

MODEL CB



MODEL SELECTION 型式選定



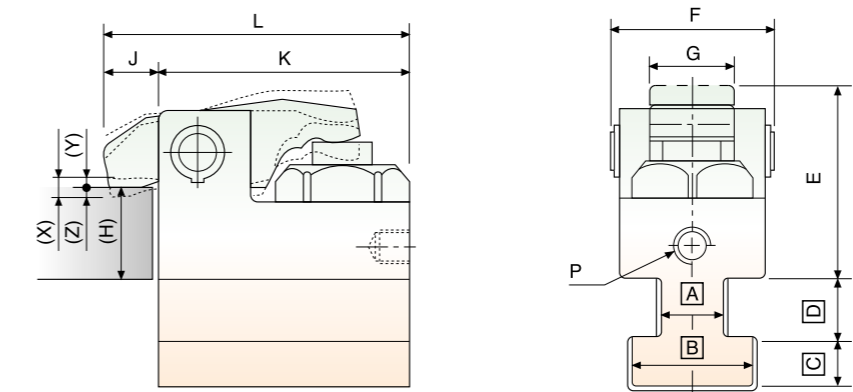
- **EMPTY**: Standard type
無標示: 標準式
- **C**: Pneumatic cylinder movable type
氣缸移動式
- **B**: Fixed type
固定式
- **V**: Temperature-resisting type
耐高溫式

Capacity of clamp / 夾力: 1~25 (tons)

Unit:mm

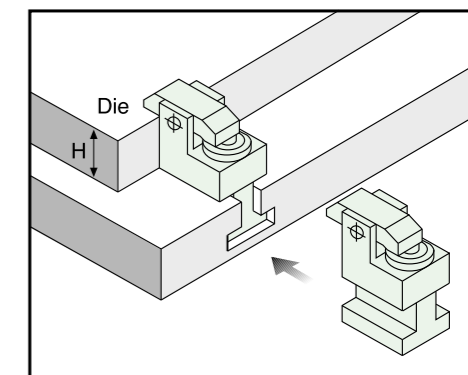
Model 型式	CB-1	CB-2	CB-4	CB-6	CB-10	CB-16	CB-25
Capacity of clamp 夾力 * tons	1	2	4	6	10	16	25
Total stroke (X) 總行程 (X) mm	6	8	8	8	8	8	8
Stroke of clamp (Y) 夾具行程 (Y) mm	2.5	3	3	3	3	3	3
Preserved stroke (Z) 預留行程 (Z) mm	3.5	5	5	5	5	5	5
Total volumn of cylinder 油缸總容量 cc	3	7.5	13	21	38	55	98
The tolerance of the template thickness (H) 模板厚度允許公差: H mm	±1.5	±2	±2	±2	±2	±2	±2

*Hydraulic pressure 使用油壓壓力: 24.5MPa (250kg/cm²) (3550psi)



Unit:mm

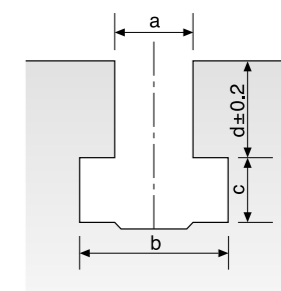
Model 型式	L	K	J	min.(H)	min. E	F	G	min. a	min. C	P
CB-1	74.5	60	14.5	25	55	44	20	10	6.5	PT1/8
CB-2	110	90	20	25	73	68	32	14	10	
CB-4	134	110	24	25	77	79	40	18	12	
CB-6	159	130	29	30	92	96	46	22	14	PT1/4
CB-10	189	159	30	40	114	117	54	24	16	
CB-16	230	200	30	40	126	129	58	28	20	
CB-25	265	235	30	45	148	156	70	36	23	



- Please indicate the size of T slot (a,b,c,d) and the thickness (H) of the template for the die when purchasing.

- 訂購時請指明T槽尺寸 (a,b,c,d) 及夾模處模板厚度 (H)

- T slot



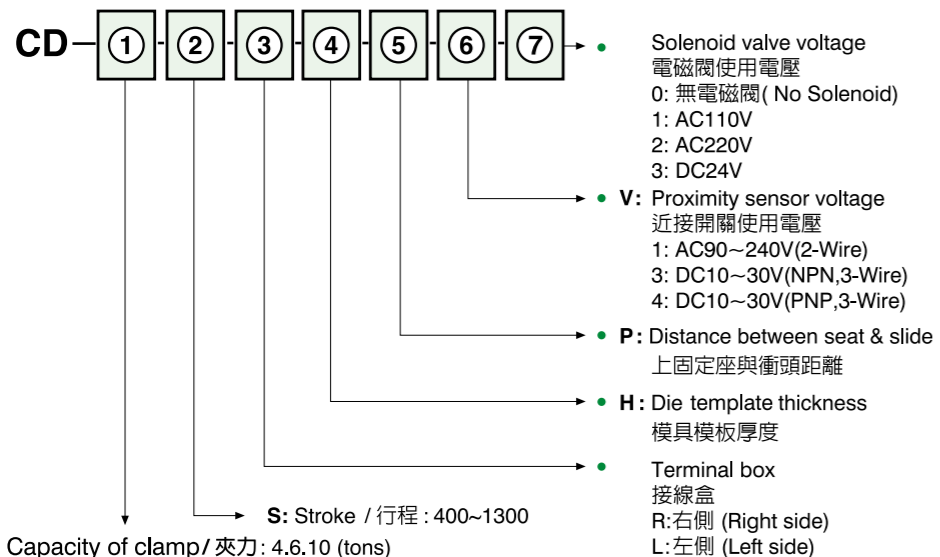
- The sizes of clamps [A], [B], [C] and [D] are made based on the size of T slot.

- 夾具 [A][B][C][D] 尺寸係配合T槽尺寸製作

AUTO SLIDE CLAMP 自走式夾具

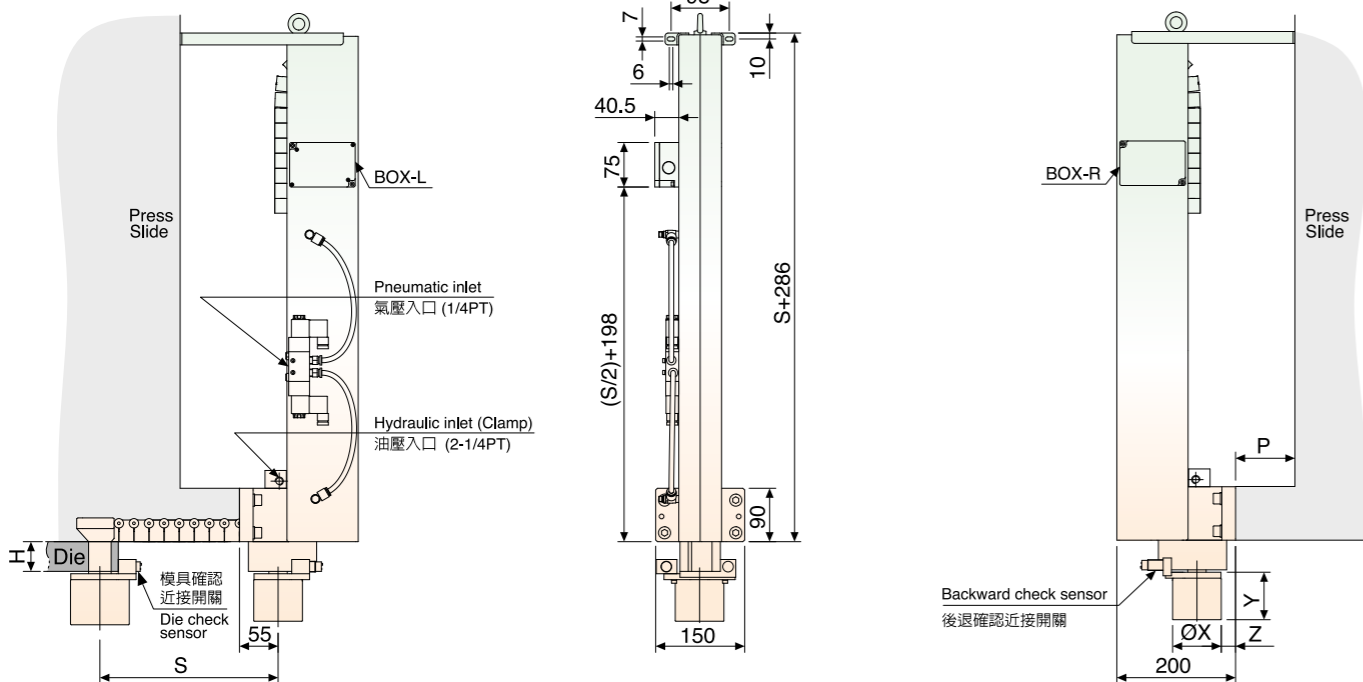
MODEL CD

MODEL SELECTION 型式選定



Model 型式	CD-4	CD-6	CD-10
Capacity of clamp / 夾力	4	6	10
Pneumatic pressure / 氣壓壓力 MPa (kg/cm ²) (psi)	0.34~0.49 (3.5~5.0)	(50~71)	
Hydraulic pressure / 油壓壓力 MPa (kg/cm ²) (psi)	24.5 (250)	(3550)	
Moving speed / 移動速度	2~6		
Total stroke / 夾具總行程	8	8	8
ØX	65	82	99
Y	73	80	86
Z	23	14.5	6
ØA	28~32		
B min	32	42	47

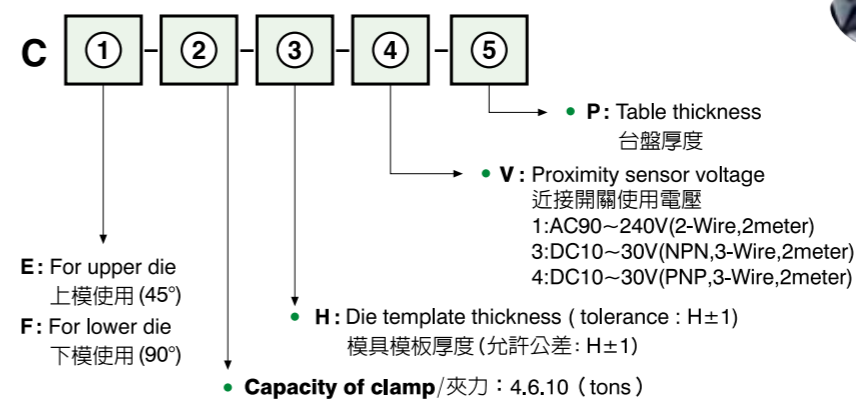
OUTLINE DIMENSIONS 外型尺寸



ROD SWING CLAMP 搖擺式夾具

MODEL CE - CF

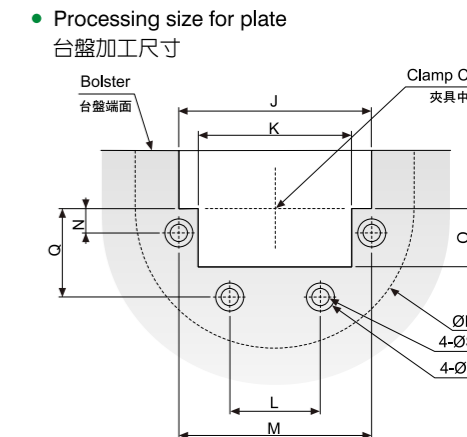
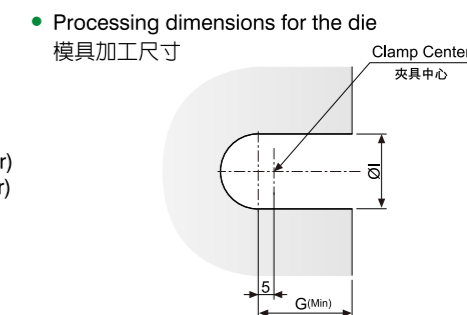
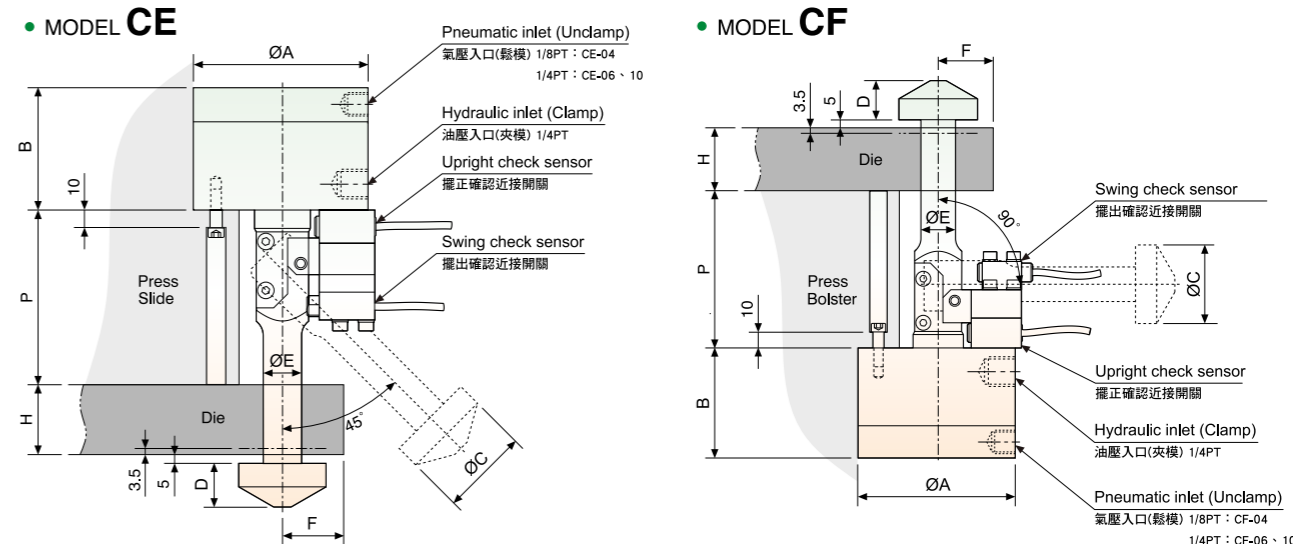
MODEL SELECTION 型式選定



Model 型式	C□-04	C□-06	C□-10
Capacity of clamp 夾力	4	6	10
Hydraulic pressure 油壓壓力 MPa (kg/cm ²) (psi)	24.5 (250)	(3550)	
Pneumatic pressure 氣壓壓力 MPa (kg/cm ²) (psi)	0.34~0.49 (3.5~5.0)	(50~71)	
Total stroke of cylinder 油缸總行程	19	19.5	24.5
Stroke of clamp 夾具行程	5		
Preserved stroke 預留行程	3.5		

Model 型式	ØA	B	ØC	D	ØE	F	G	ØI	J	K	L	M	N	O	P(min)	Q	ØR	ØS	ØT
C□-04	102	70	50	25	22	25	30	28	83	66	39	83	10.5	25	85	38	120	7	12
C□-06	125	73	60	25	28	30	35	34	93	70	49	93	10.5	30	85	43	145	7	12
C□-10	145	93	75	30	34	37.5	43	40	130	80	59	120	10.5	35	100	50	165	9	16

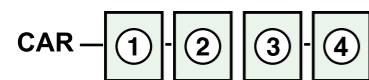
OUTLINE DIMENSIONS 外型尺寸



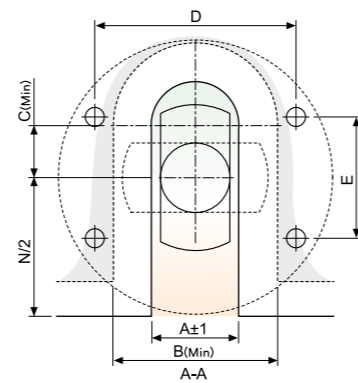
ROTARY DIE CLAMP 旋轉夾具

MODEL CAR

MODEL SELECTION 型式選定



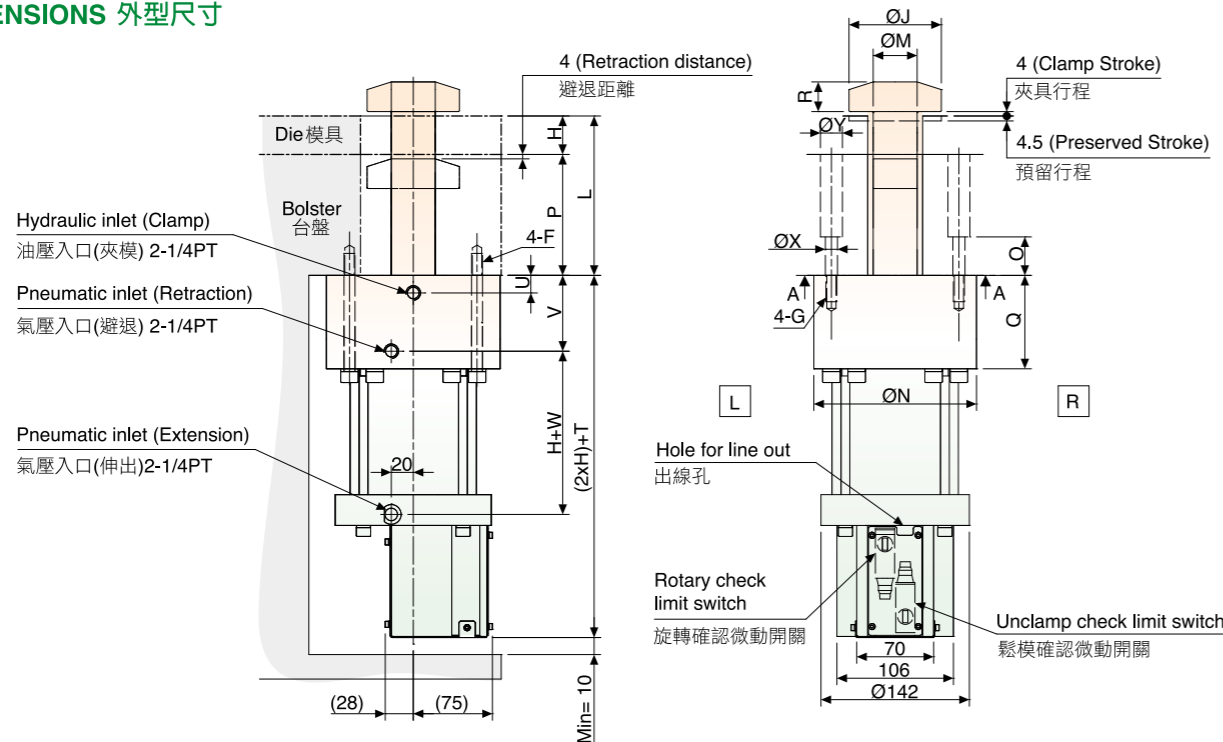
- ① Inlet/入口方向: L or R
- ② P/Bolster thickness/台盤厚度
- ③ H: Die template thickness/模具模板厚度
- ④ Capacity of clamp/夾力: 4~16 (tons)



Model 型式	A±1	B (Min)	C (Min)	D	E	F	G	ØJ	ØM	ØN	Q	O	R	T	U	V	W	ØX	ØY	P(min)
CAR-04	35	70	20	112	70	M8x16D	M10x20D	59	25	148	84	35	17	240	16	68	104	12	20	80
CAR-06	40	75	25	112	70	M8x16D	M10x20D	64	32	148	84	35	22	250	16	68	109	12	20	80
CAR-10	50	95	30	116	70	M8x16D	M10x20D	84	40	158	85	70	27	260	16	69	110	12	20	90
CAR-16	60	110	35	118	72	M10x20D	M12x24D	99	50	168	85	80	32	270	16	69	119	14	23	100

* Hydraulic pressure 使用油壓壓力: 18.2MPa (185kg/cm²) (2625psi) * CAR-25 is customized product 為客製化產品
 * Pneumatic pressure 使用氣壓壓力: 0.34~0.49MPa (3.5~5.0kg/cm²) (50~71psi)

OUTLINE DIMENSIONS 外型尺寸



系列產品: 舉上油缸、直拉夾具、舉上直拉油缸
 Series product: Hydraulic cylinder device, straight pull clamping device

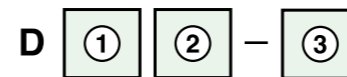
如需要詳細資料, 請連絡我們
 Please contact with us once you need details.

DIE LIFTER (HYDRAULIC) 舉模滑軌 (油壓式)

MODEL DL - DB



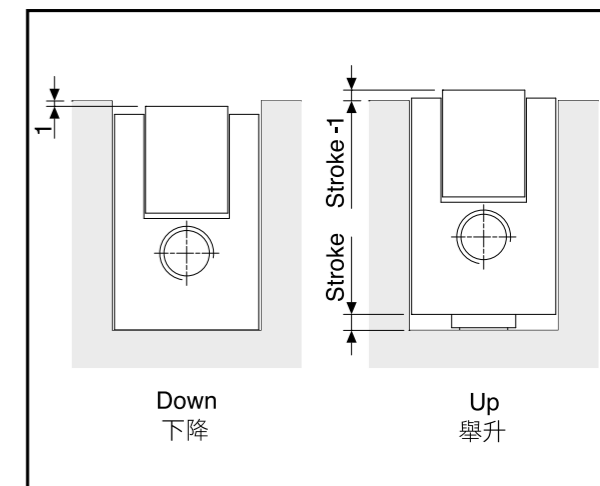
MODEL SELECTION 型式選定



	Model 型式	Width of Lifter 滑軌寬度	Length of Lifter 滑軌長度
L	Roller type 滾輪式	28	200-1900
B	Ball type 滾珠式	80	500-2500

Model 型式	Capacity of Each Cylinder 每只油壓缸舉力	Full Stroke 全行程	Capacity Per Roller (kgf) 每只滾輪容許荷重(DL)	
			SS41 模具材質	S45C 模具材質
D□28	0.63 ton	3 mm	80	140
D□50	1.1 ton	3 mm	200	350
DL80	2.8 ton	4 mm	460	800

* Hydraulic pressure 使用油壓壓力: 24.5MPa (250kg/cm²) (3550psi)



DIE LIFTER MODEL TYPE 滑軌類型

Model 型式	Application 適用
Standard Die Lifter 標準式滑軌	Application: normal platen and die lifter can be fixed with platen. 適用: 一般台盤且滑軌固定於台盤上
Two Stepped Die Lifter 兩段式滑軌	Application: Platen with hole in the middle and die lifter can be fixed on platen. 適用: 台盤有下料孔且滑軌固定於台盤上
Removable Die Lifter 抽取式滑軌	Application: Normal platen or platen with hole in the middle and die lifter is removable via quick connector. 適用: 一般台盤或是台盤有下料孔, 滑軌經由快速接頭可輕易裝卸於台盤上

DIE LIFTER (HYDRAULIC) 舉模滑軌 (油壓式)

MODEL DL - DB



Outline Dimensions 外型尺寸	D□28 Serial	D□50 Serial	D□50 Serial 用於 DL50-2100 以上的固定方式 For DL50-2100 or above	D□80 Serial
Processing Size For Bolster (U-Slot) 台盤加工尺寸				

Length of Lifter 全長(L)	D□28						D□50						D□80			
	DL28		DB28		Cylinders油缸		DL50		DB50		Cylinders油缸		DL80		Cylinders油缸	
	Roller Qty. 滾輪數	Capacity 承載能力(kg)	Ball Qty. 滾珠數	Capacity 承載能力(kg)	Qty. 油缸數	Capacity 承載能力(kg)	Roller Qty. 滾輪數	Capacity 承載能力(kg)	Ball Qty. 滾珠數	Capacity 承載能力(kg)	Qty. 油缸數	Capacity 承載能力(kg)	Roller Qty. 滾輪數	Capacity 承載能力(kg)	Qty. 油缸數	Capacity 承載能力(kg)
200	3	240	5	200	2	1260	2	400	4	200	2	2200				
300	5	400	7	280			3	600	6	300						
400	6	480	10	400			4	800	9	450						
500	8	640	12	480	3	1890	5	1000	11	550	3	3300	5	2300	2	5600
600	9	720	15	600			6	1200	13	650			6	2760		
700	11	880	17	680			7	1400	16	800			7	3220		
800	12	960	20	800	4	2520	8	1600	18	900	4	4400	8	3680	3	8400
900	14	1120	22	880			9	1800	20	1000			9	4140		
1000	15	1200	25	1000			10	2000	23	1150			10	4600		
1100	16	1280	27	1080	5	3150	11	2200	25	1250	5	5500	11	5060	4	11200
1200	17	1360	30	1200			12	2400	27	1350			12	5520		
1300	18	1440	32	1280			13	2600	29	1450			13	5980		
1400	19	1520	35	1400	6	3780	14	2800	31	1550	6	5500	14	6440	5	14000
1500	20	1600	37	1480			15	3000	33	1650			15	6900		
1600	22	1760	40	1600			16	3200	35	1750			16	7360		
1700	24	1920	42	1680	7	4410	17	3400	38	1900	7	6600	17	7820	6	16800
1800	25	2000	45	1800			18	3600	40	2000			18	8280		
1900	27	2160	47	1880			19	3800	42	2100			19	8740		
2000					8	5040	20	4000	44	2200	8	8800	20	9200	7	19600
2100							21	4200	46	2300			21	9660		
2200							22	4400	48	2400			22	10120		
2300					7	7700	23	4600	50	2500	7	10580	23	10580	7	19600
2400							24	4800	52	2600			24	11040		
2500							25	5000	54	2700			25	11500		

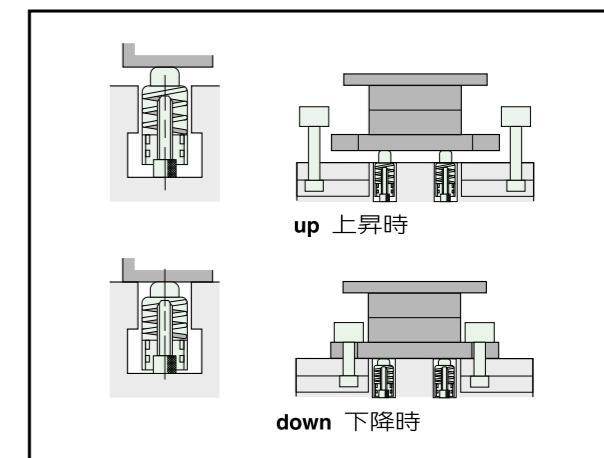
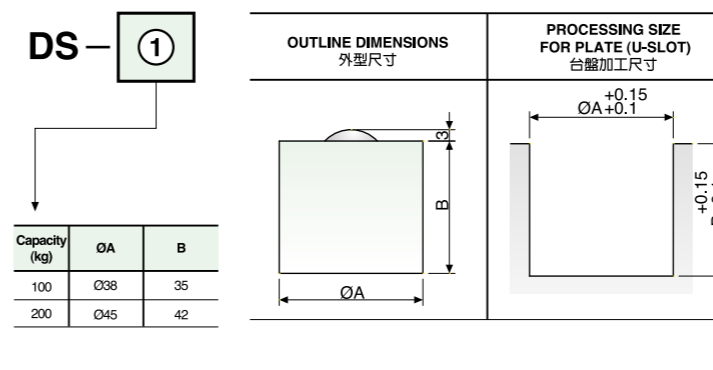
Any specific size is available based on the needs of the customers.
可依客戶使用需要製作特殊規格

DIE LIFTER (SPRING) 舉模滑軌 (彈簧式)

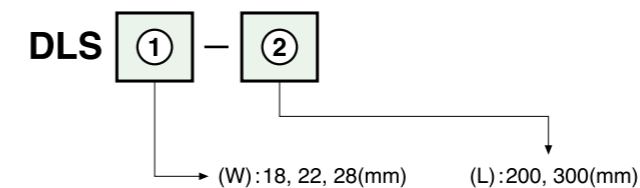
MODEL DS - DLS



MODEL SELECTION 型式選定

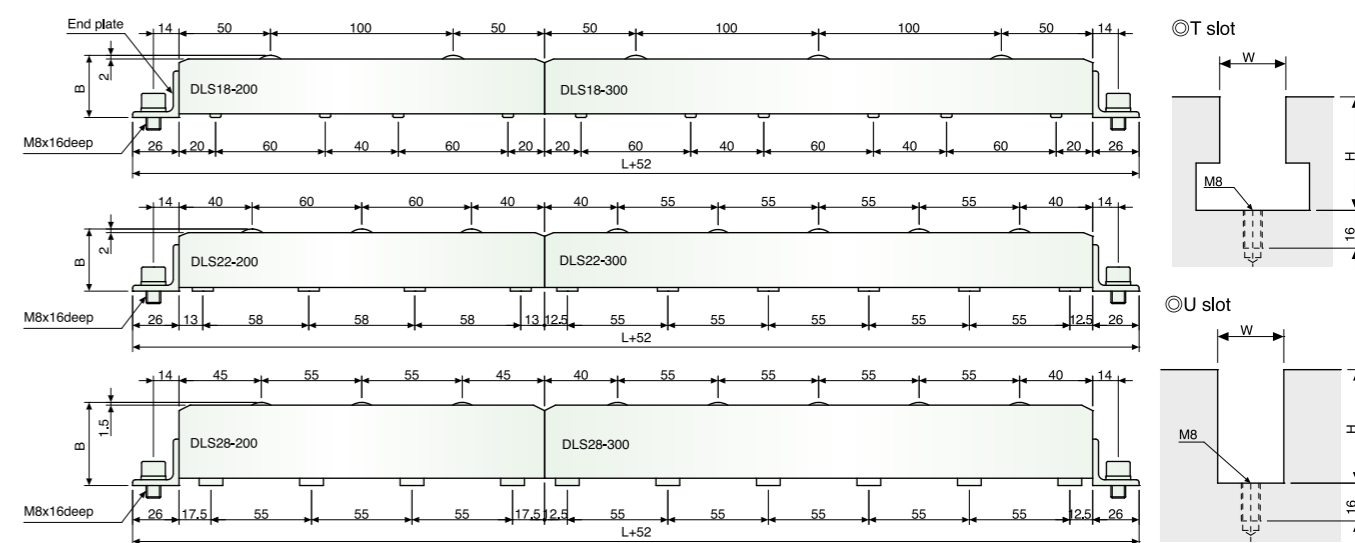


MODEL SELECTION 型式選定



- Please clearly indicate: (1) the slot height
- (2) the equipped length of every slot while ordering.
- (3) quantity of end plate

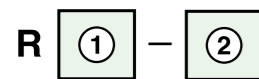
訂購時請指明 (一) 溝槽高度(H)
(二) 每一溝槽裝配長度
(三) 固定端板數量



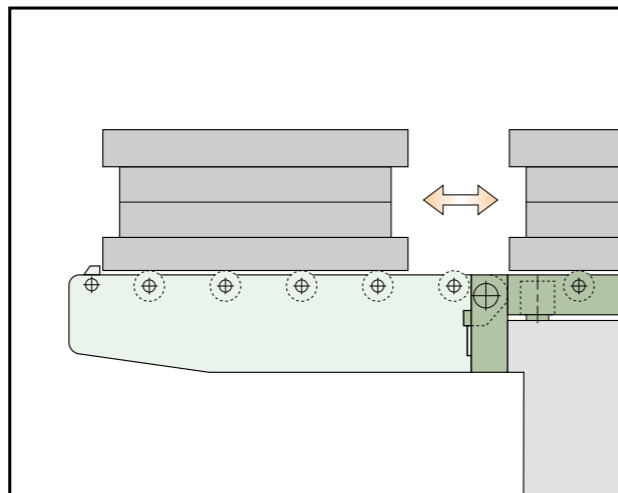
Model 型式	DLS18-200	DLS18-300	DLS22-200	DLS22-300	DLS28-200	DLS28-300
Capacity 每支舉力 (kg)	150	225	150	225	300	450
Width of slot 溝槽寬度 (W)	18		22		28	
Height of slot 溝槽高度 (H)	32 ~ 37		33 ~ 43		44 ~ 58	
Number of roller 滾輪數	2		3		3	5
Number of spring 彈簧數	4	6	4	6	4	6
Width of end plate 端板寬度	17		21			
Min. height of lifter 最小成品高度 (B)	32		32		43.5	

MODEL RC · RD · RE · RF · RS

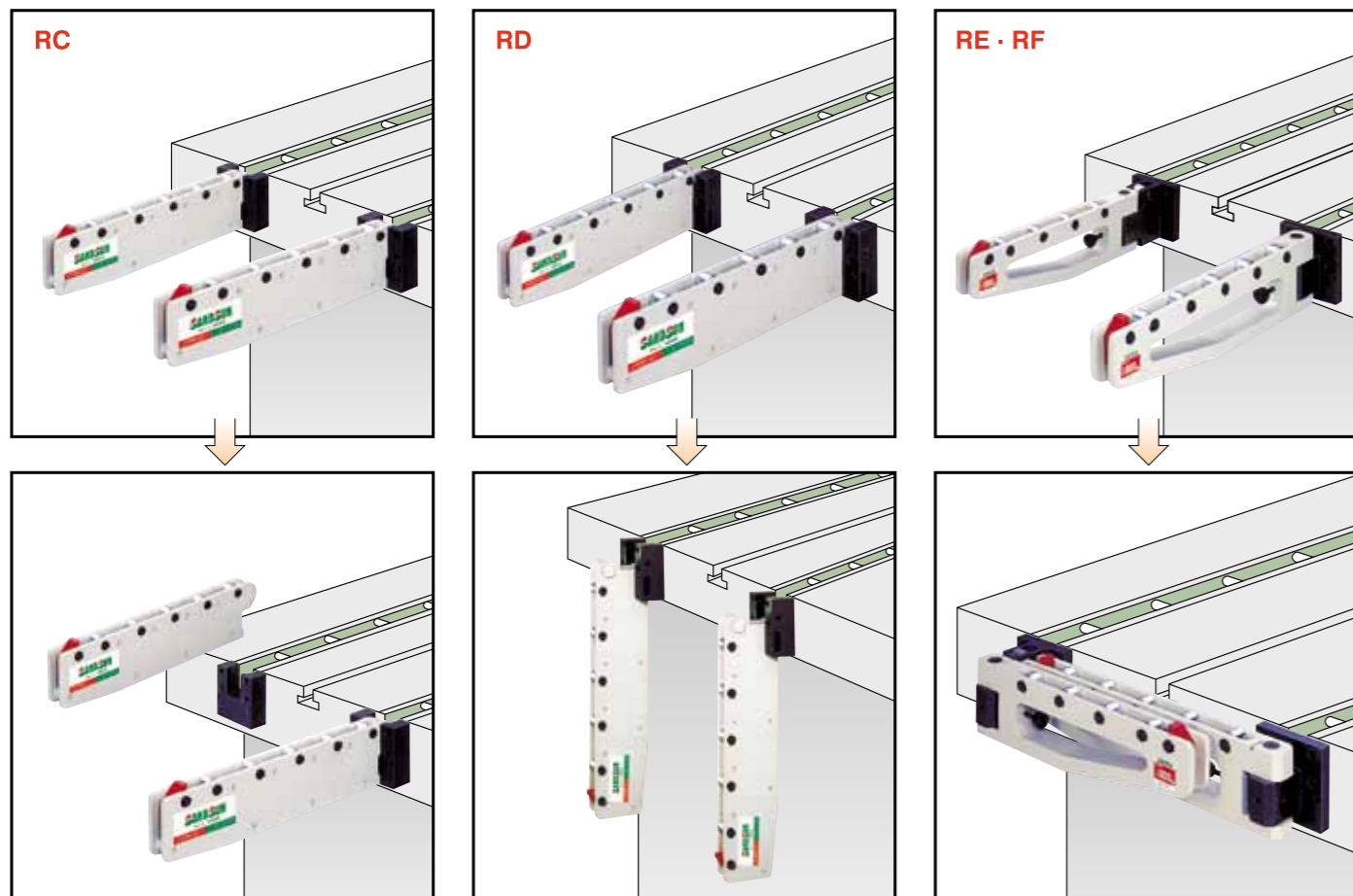
MODEL SELECTION 型式選定



Model 型式	Storage Method 存放方式	Specification 規格
C	Dismantling 拆卸式	580
D	Hanging 折下式	760
E	Folding (short) 折疊式(短座)	880
F	Folding (long) 折疊式(長座)	990

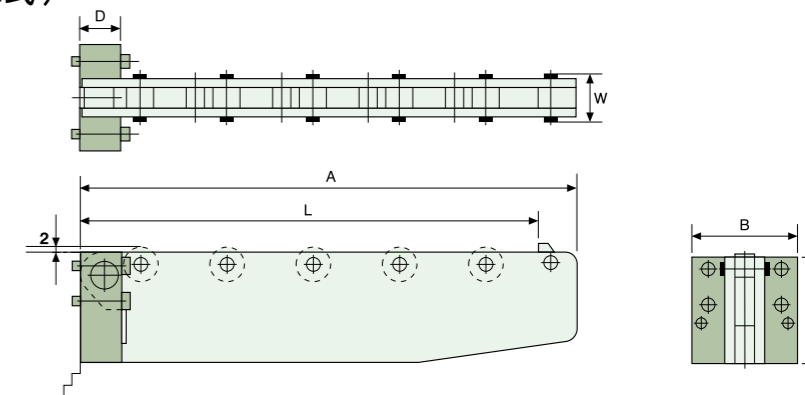


- The support should be changed into lengthening (S) model when using die arm cooperated with two-stepped die lifter. (Ex: RC-16 → RC-16S, RC-16H → RC-16HS)
移模支臂配合二段式舉模滑軌使用時，固定座需改用加長(S)型，(例：RC-16 → RC-16S, RC-16H → RC-16HS)



Any specific model is available based on the needs of the customers.
特殊形式依實際需要另行訂製

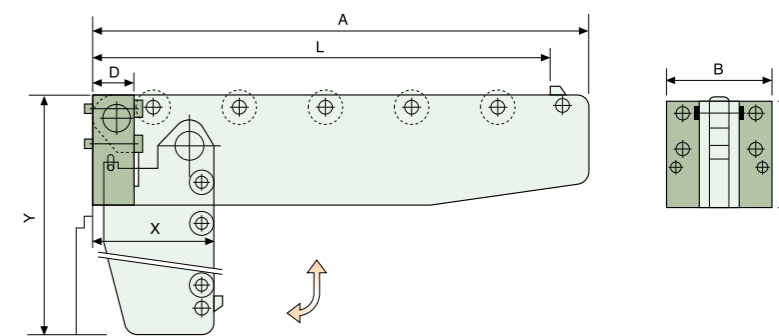
MODEL RC (DISMANTLING / 拆卸式)



- The arm itself and the support in Model RC can be used separately.
RC型支臂本體與固定座可分開個別使用

Model 型式	Model of Support 固定座型式	Length of The Die 模具使用長 (L)	Capacity(kg) 承載能力(kg)	Total Length(A) 總長(A)	Width (W)	Dimension Of Support 固定座尺寸			Hole Pattern For Installation 安裝孔位形式	Number of Rollers 滾輪數		
						D	B	H				
RC-580	RC-12	500	800	550	59	48	115	118	A Type	5		
RC-760		700	600	750				158		7		
RC-880		800	800	850				188	8			
RC-990	RC-20	900	900	950		67	55	130	B Type	9		
RC-05125	RC-14H	500	1250	550						138	C Type	7
RC-05160	RC-16H		1600						158			
RC-05200	RC-18H		2000						178			
RC-07125	RC-14H	700	1250	750					138	9		
RC-07160	RC-16H		1600						158			
RC-07200	RC-18H		2000		178							
RC-08125	RC-16H	800	1250	850	158				10			
RC-08160	RC-18H		1600		178							
RC-08200	RC-20H		2000		188							
RC-09160	RC-22H	900	1600	950	218							

MODEL RD (HANGING / 折下式)

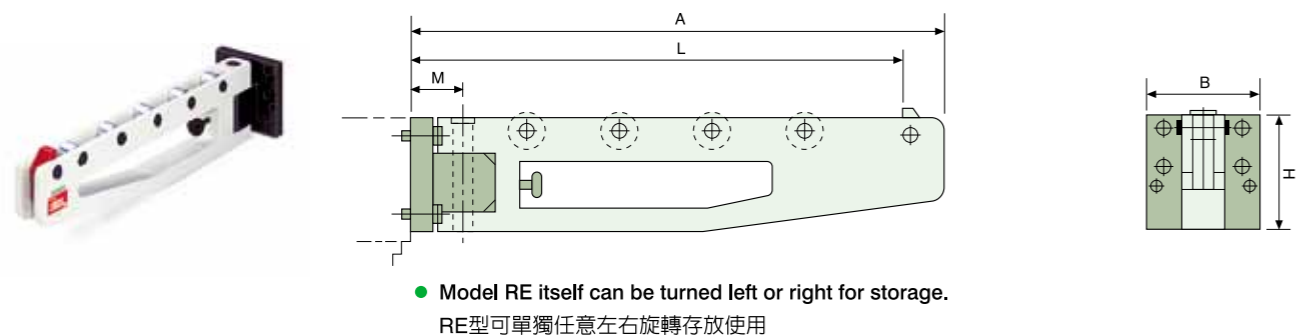


- The hanging length(Y) of Model RD should be less than the height between the plate and the ground.
選用RD型其折下之長度(Y)需小於台盤面距地面之高度

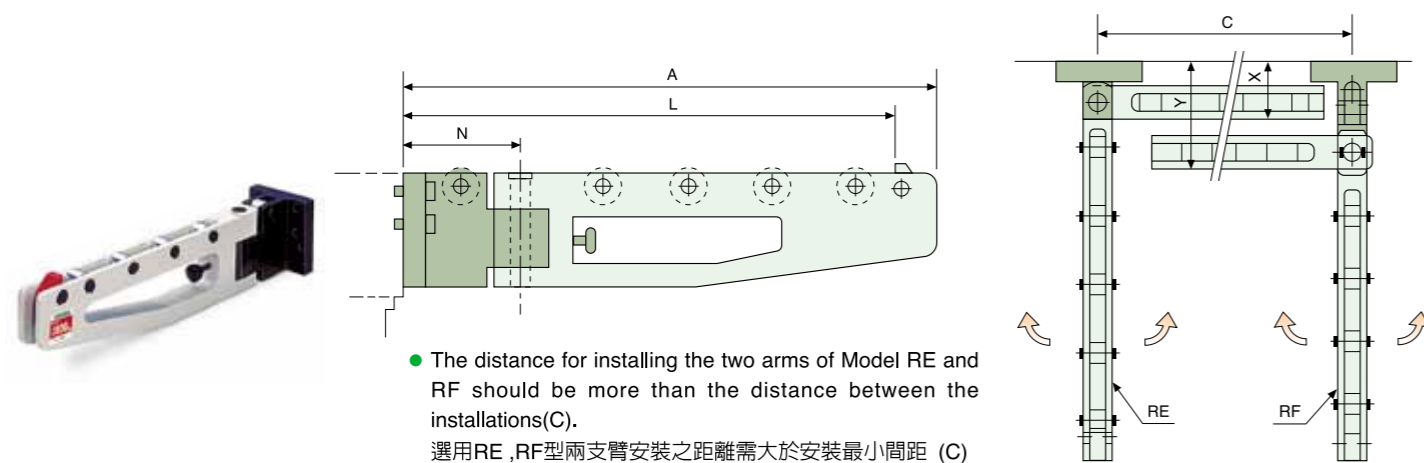
Model 型式	Model of Support 固定座型式	Length of The Die 模具使用長 (L)	Capacity(kg) 承載能力(kg)	Total Length(A) 總長(A)	Dimension Of Support 固定座尺寸			Hole Pattern For Installation 安裝孔位形式	Number of Rollers 滾輪數	Dimension After Folding 折下尺寸				
					D	B	H			X	Y			
RD-580	RD-12	500	800	550	52	115	118	A Type	5	140	620			
RD-760		700	600	750					7	820				
RD-880		800	800	850				B Type	8	180	960			
RD-990		900	900	950					9	220	1100			
RD-05125	RD-14H	500	1250	550	62	130	138	C Type	7	170	645			
RD-05160	RD-16H		1600							158	190	670		
RD-05200	RD-18H		2000							178	210	675		
RD-07125	RD-14H	700	1250	750					138	9	170	840		
RD-07160	RD-16H		1600						158		190	865		
RD-07200	RD-18H		2000						178		210	890		
RD-08125	RD-16H	800	1250	850					158		10	190	960	
RD-08160	RD-18H		1600						178			210	985	
RD-08200	RD-20H		2000						188			220	995	
RD-09160	RD-22H	900	1600	950					218			11	250	1130

DIE ARM 移模支臂

MODEL RE (FOLDING / 折疊式)



MODEL RF (FOLDING / 折疊式)

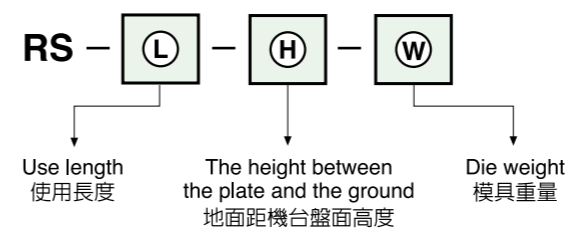


Model 型式	Length of The Die 模具使用長L(mm)	Capacity(kg) 最大荷重W(kgf)	Total Length(A) 總長A(mm)	MIN. DISTANCE FOR INSTALLATION 安裝最小間距C(mm)	Dimension After Folding 折下尺寸		Dimension Of Support 固定座尺寸		Number of Rollers 滾輪個數	M	N	Hole Pattern For Installation 安裝孔位形式	
					X	Y	B	H					
RE, RF-580	500	800	550	525	90	150	115	118	5	57	120	A Type	
RE, RF-760	700	600	750	725				158					7
RE, RF-880	800	800	850	825				188				8	
RE, RF-990	900	900	950	925				188					9
RE, RF-05160	500	1600	550	525	105	170	130	158	7	74	140	C Type	
RE, RF-05200		2000						178					
RE, RF-07160	700	1600	750	725				158					9
RE, RF-07200		2000						178					
RE, RF-08160	800	1600	850	825				188					10
RE, RF-08200		2000						188					
RE, RF-09160	900	1600	950	925	218	11							
RE, RF-09200		2000			248								

DIE ARM (HEAVY DUTY) 移模支臂 (荷重型)

MODEL RS (SUPPORTER / 支柱式)

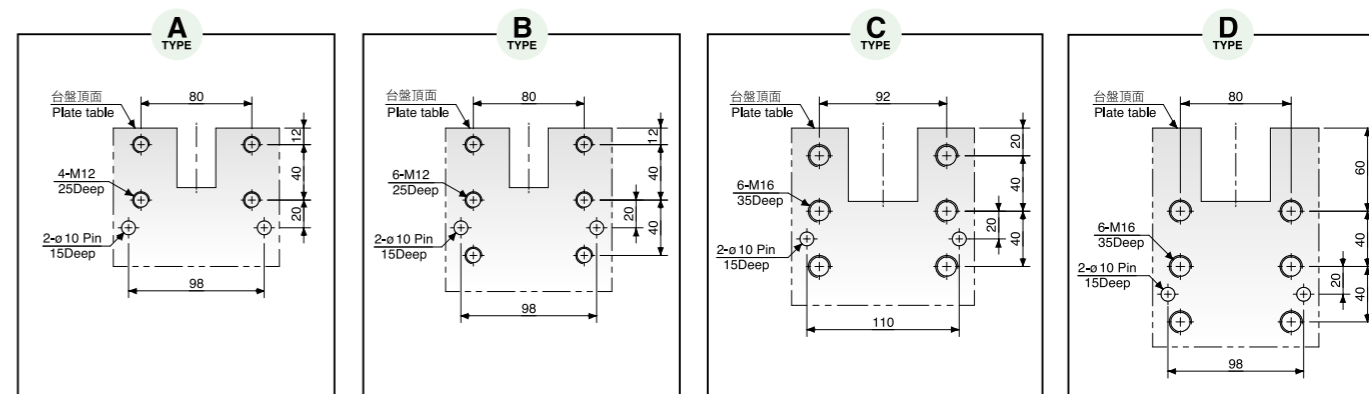
MODEL SELECTION 型式選定



- Please clearly indicate the above information while ordering.
- Adopt D Type to install hole pattern.
- 訂購時請指明以上資料
- 安裝孔尺寸採用D式

HOLE PATTERN FOR INSTALLATION 安裝孔尺寸形式

安裝孔尺寸形式



ACCESSORIES 相關配件

NON-LEAK VALVE 氣控閥



ROTARY JOINT 迴轉接頭



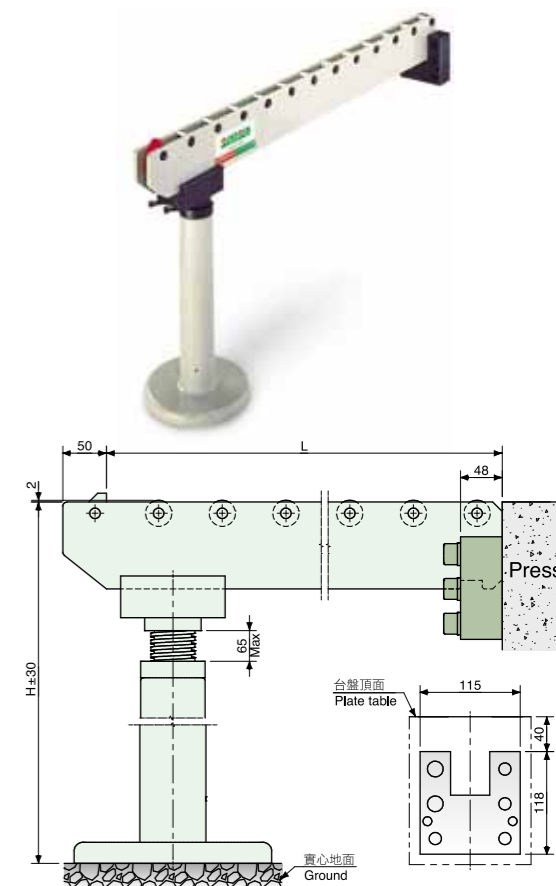
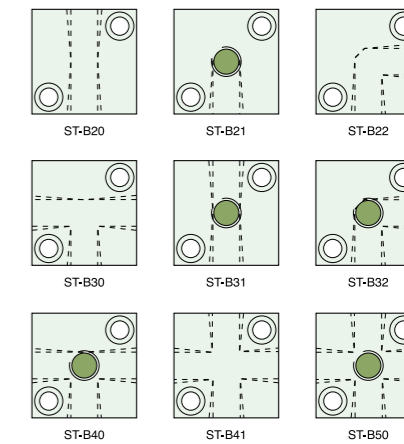
CLAMP BRACKET 夾具存放架



TUBE CONNECTER 分油座



TUBE CONNECTER MODEL 分油座型式



MOLD FLIP DEVICE 模具翻轉機

Application : Press 、 Hydraulic press 、 Forging machine.

適用於：沖床、油壓機、鍛造機

Feature :

1.Mold Flip device using electric hydraulic motor, move up-down and flip mold through hydraulic power.

2.Using the Mold Flip device can raise work efficiency and also reach zero accident happens.

3.If power shut during mold flip, each hydraulic circuit is designed with the function of checking and avoiding oil leakage and the device will stop at the final stage.

4.Shorten the operation time of mold repair.

5.Mold Flip device helps the die to be flip. It has the inspection function of die loading and die move-in position.

特色：

1. 模具翻轉機使用電動油壓馬達，以油壓力量升降及翻轉模具。

2. 運用模具翻轉機可提高工作效率又可達到零工安意外。

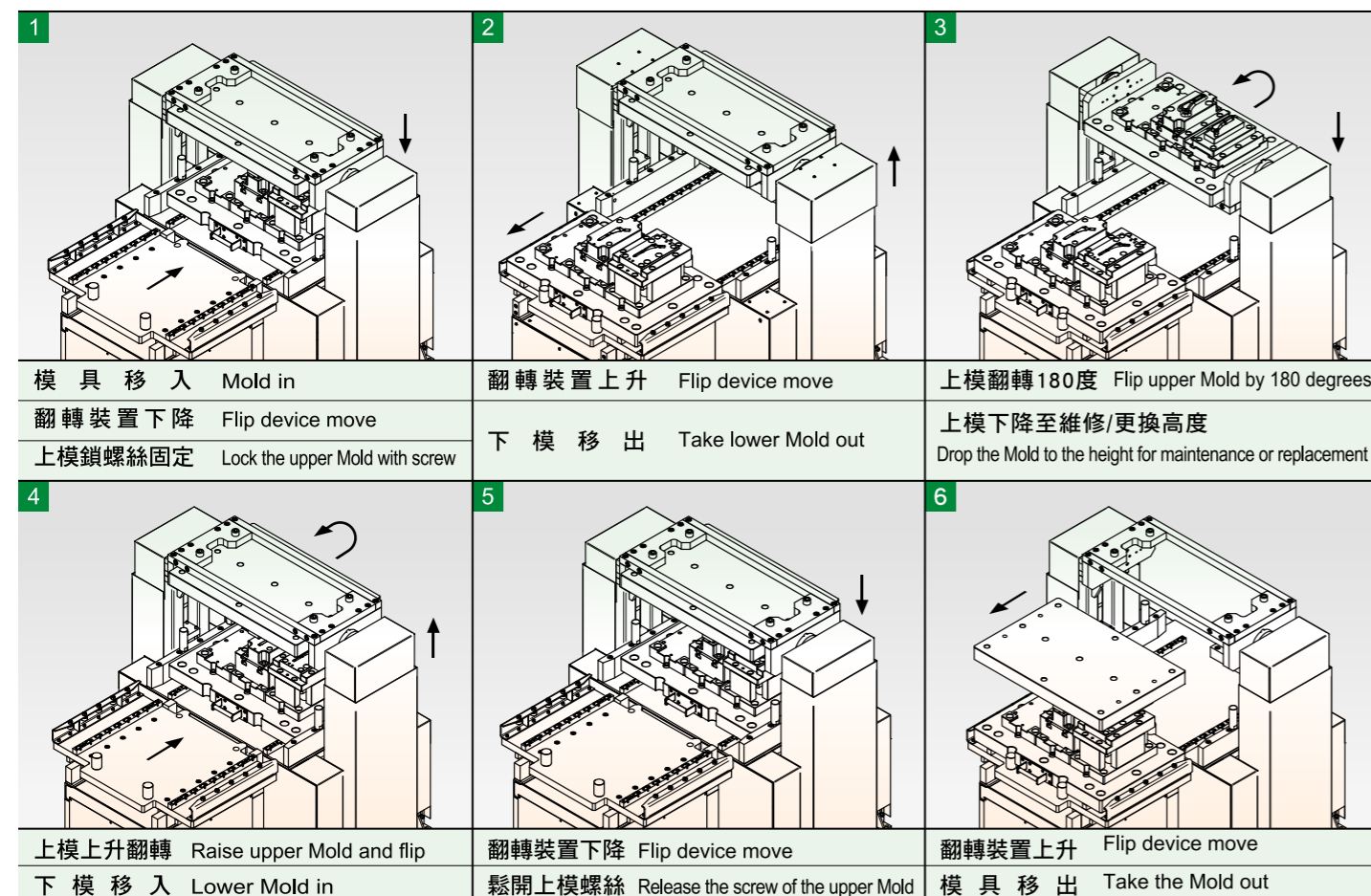
3. 翻模過程中如發生斷電，各油壓迴路具逆止防漏功能，機台立即停止於最後狀態。

4. 減少模具維修時間。

5. 模具翻轉機用於輔助模具翻轉,並有檢知以及定位裝置。



WORKING PROCESS & FUNCTION 作業流程與機能



DATA REQUIRED FORM 訂購資料表

Customer 訂購公司		Date 日期	
Machine Brand 機台廠牌	Machine Capacity 機型.噸數		
Drawing for slide and bolster 滑塊和台盤圖面	<input type="checkbox"/> Yes, please offer it/ 有，請提供 <input type="checkbox"/> No. (Bolster have U-slot <input type="checkbox"/> Yes. Height: _____mm <input type="checkbox"/> No./ 沒有 (台盤有U型槽 <input type="checkbox"/> 有，高度 _____mm <input type="checkbox"/> 沒有)		
Die Data 模具資料	1. U-slot on the die <input type="checkbox"/> Yes <input type="checkbox"/> No/ 模具有U型槽 <input type="checkbox"/> 有 <input type="checkbox"/> 沒有 2. Working temperature: _____°C /工作溫度: _____°C		
Item項目	Model 型式	Q'ty 數量	Remark 備註
Air Driven Hydraulic Pump Unit 泵浦單元			Control voltage / 控制電壓： <input type="checkbox"/> AC110V <input type="checkbox"/> AC220V <input type="checkbox"/> DC24V
Die Clamp 夾具	Upper 上模		The thickness of the template/ 模具鎖模板厚度(H): _____mm
	Lower 下模		The thickness of the template/ 模具鎖模板厚度(H): _____mm
Die Lifter 舉模滑軌			1. Max. die weight/ 最大模具重量: _____kg 2. There is hole with Bolster/ 台盤有下料孔: <input type="checkbox"/> Yes/是 <input type="checkbox"/> No/否 3. Die Dimension (mm)/ 模具尺寸： Max: _____(L)x _____(W) Min: _____(L)x _____(W) (L: left-right /左-右 W: front-back/ 前-後)
Die Arm 移模支臂			Max. die weight/ 最大模具重量: _____kg
Support of Die Arm 移模支臂固定座			Additional 追加
Others 其他	Install by Sandsun /山田順安裝 <input type="checkbox"/> Yes <input type="checkbox"/> No		
	CE certificated required/ CE認證 <input type="checkbox"/> Yes <input type="checkbox"/> No		
T-slot/ T型槽尺寸：			Slide: (mm) 滑塊 a : _____ b : _____ c : _____ d : _____ (±0.2)
			Bolster: (mm) 台盤 a : _____ b : _____ c : _____ d : _____ (±0.2)
* For existing machine, please offer "d" size with the first decimal digit. * 舊機請提供d尺寸至小數點第一位。			
Remark 備註			