

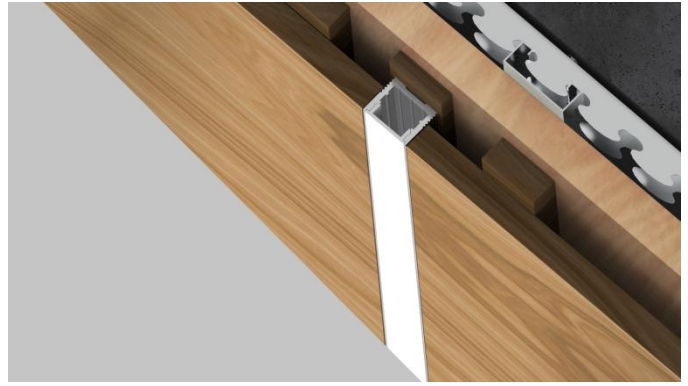
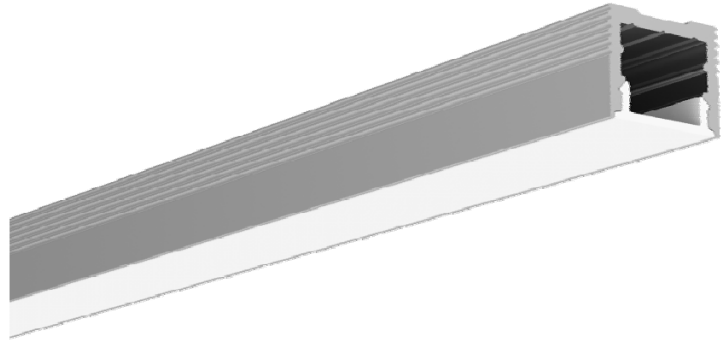
Specification

Integrated Furniture Lighting

LS1613



LS1613



Example of application: wooden decorative board on the wall
Cutout:W17*D14mm fixed by glass cement/self-tapping screws

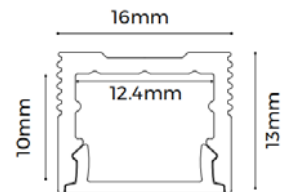


Features

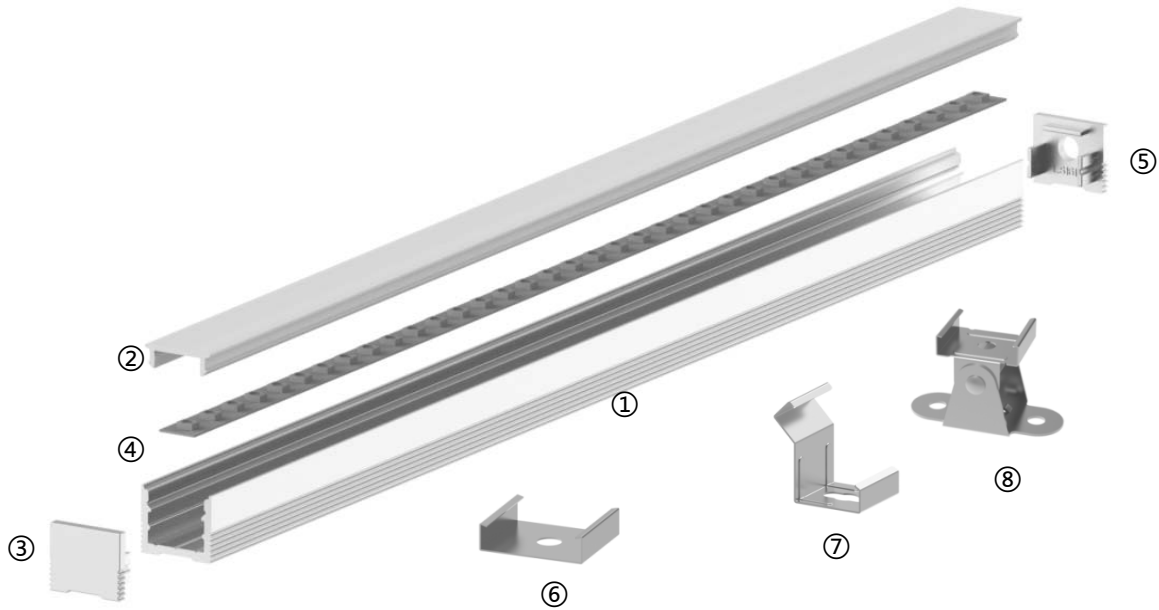
DLS1.0, a special local auxiliary lighting system, can be widely used in various interior decoration scenarios and local light spaces. A touch of auxiliary decorative lighting in addition to the basic lighting creates different atmospheres and visual enjoyment.

Embellish life with light that follows you whenever you go.

- 1、 "Dots-free"lighting
Perfect homogenous lighting.
- 2、 Various diffuser options
Several options of diffusers, In various shapes and light distribution plans Complete with everything needed
- 3、 "Two" end caps
Two options of end cap for two ways of wire outgoing, Close-fitting design without screws makes installation much easier
- 4、 Various installation methods
A wide range of installation accessories wider applications
- 5、 "One" cut
Consistent length between diffuser and profile
- 6、 Smart control for unlimited possibilities
Perfectly match the profiles like customized, Control by hand sweep or touching



Details



Standard Configuration

Picture	Item	Parameter
	①Profile	Material: AL6063-T5 Profile weight: 0.423kg/2.5m Size: L2500*W16*H13mm Surface processing: Anodizing
	②Cover	Type: Frosted diffuser Material: PC Light transmittance: 60% Size: L2500*W14.7*H4.5mm (shrink) 0.8mm/m when the temperature rises (drops) 10°C.
	②Microprism diffuser	Type: Microprism diffuser Material: PC Light transmittance: 65% Size: L2500*W14.7*H4.5mm (shrink) 0.8mm/m when the temperature rises (drops) 10°C.
	②Black Microprism	Type: Black Microprism Material: PC Light transmittance: 15% Size: L2500*W14.7*H4.5mm (shrink) 0.8mm/m when the temperature rises (drops) 10°C.
	③End caps	Size: L16*W13*H7mm

Optional Accessories

Picture	Item	Parameter
	FPC strip D6140-24V-8mm	Material: FPC, CCT: 2700/3000/4000/6000K; Ra > 90; Voltage:24V; Power: 6.6W/m; Lumen: 710Lm/m; PCB width: 8mm; Minimum cut: 50mm;
	⑤End cap with hole	Size: L16*W13*H7mm
	⑥Recessed clips	Size: L17.8*W15*H4.5mm
	⑦45° installation clip	Size: L15.6*W12*H16.1mm
	⑧0-180° adjustable installation clip	Size: L35*W17.7*H21.4mm
	0-90° adjustable mounting clip	Size: L20*W20*H9mm

Optical Parameter

The testing result of 1M luminaire (with " D6120-24V-8mm " and diffuser)

