



The **Tech Master VAA090** Series Isolation Valves are designed for use in gas control of non-corrosive or toxic, technical grade gases up to 4.5 purity (99.995%).

- **VAA09040** | High Pressure Isolation Valve, FKM Seal
- **VAA09041** | High Pressure Isolation Valve, EPDM Seal
- **VAA09042** | High Pressure Purge/Vent/Waste Valve, FKM Seal
- **VAA09043** | High Pressure Purge/Vent/Waste Valve, EPDM Seal

★ FEATURES

- Four point configuration (3 Inlet & 1 Outlet)
- Maintenance free design
- Tested for high pressure Oxygen use
- On / Off display (by green / red visual indicator)
- Rear Mounting for Panels
- 1/4 NPT female ports
- Mounting bracket (optional)

🔧 MATERIAL

- **Body** Brass Barstock
- **Seals** FKM / EPDM
- **Valve Seat** Polyamide (Nylon®)

👍 SPECIFICATION

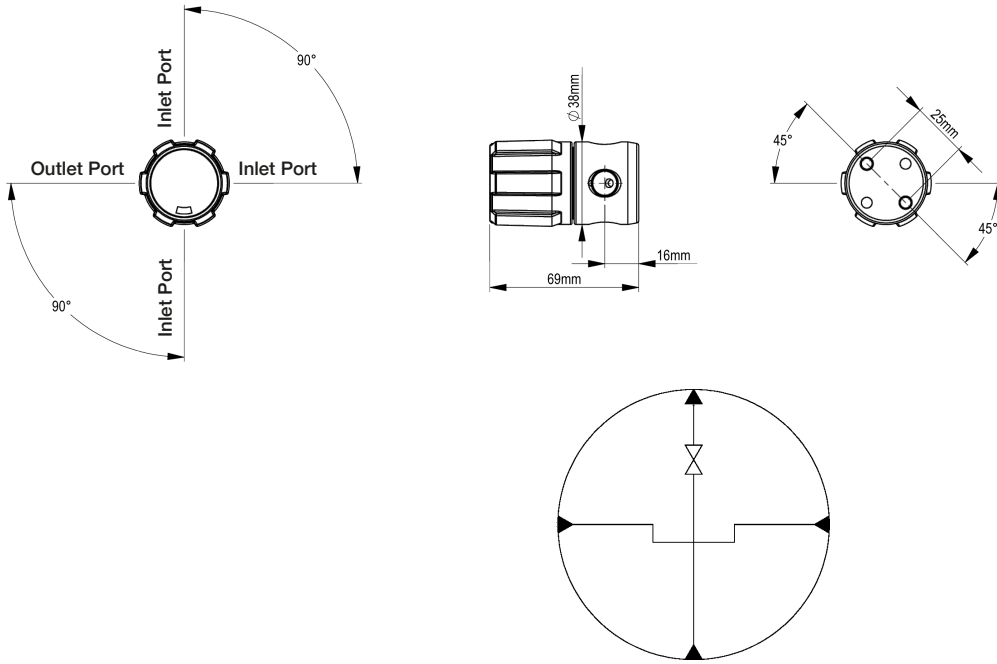
- **Maximum Pressure Service** 300 bar (4350 PSI)
- **Weight** 0.45 kg (0.99 lb)

1 2 3 MODEL NO. SELECTOR GUIDE

Part No.	Inlet Pressure Bar [PSI]	Inlet Connection	Outlet Connection	Seal Type
VAA09040	300 [4350]	1/4 NPT Female	1/4 NPT Female	FKM
VAA09041	300 [4350]	1/4 NPT Female	1/4 NPT Female	EPDM
VAA09042	300 [4350]	1/4 NPT Female	1/4 NPT Female	FKM
VAA09043	300 [4350]	1/4 NPT Female	1/4 NPT Female	EPDM

- **GCP37525** | Mounting Bracket (*optional accessory, needs to be ordered separately*)

DRAWINGS



Isolation Valve – Mounting Bracket *(optional accessory, needs to be ordered separately)*

