



Tech Master GPP400 Series

4.5 Purity Single Stage Brass Barstock Diaphragm Outlet Point Regulator



The Tech Master GPP400 Series single stage diaphragm outlet point regulators are designed for secondary pressure gas control of non-corrosive or toxic, technical grade gases up to grade 4.5 purity (99.995%), on gas distribution systems.

■ **GPP400 Series** | Single Stage Diaphragm Outlet Point Regulator

★ FEATURES

- Three port configuration
- Rear point mounting (1/4 NPT male)
- Encapsulated seat design
- Low wetted surface area
- Full range of outlet fittings
- Rear entry

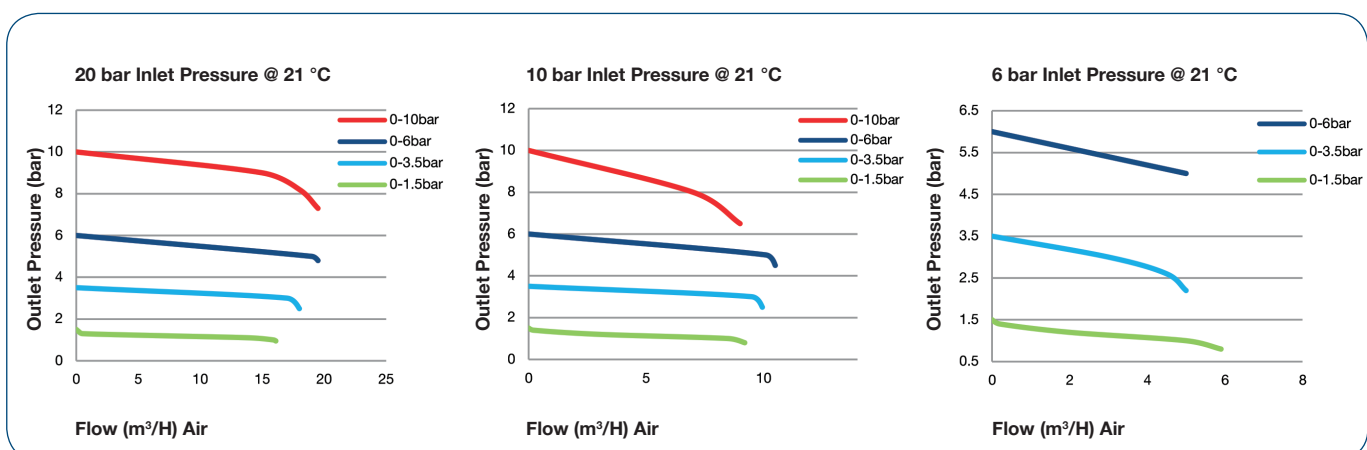
📄 MATERIAL

■ Body	Brass Barstock
■ Bonnet	High Strength Alloy
■ Diaphragm	Polychloroprene (Neoprene®) (CR)
■ Valve Seat	Polyamide (Nylon®)
■ Filter	10 Micron 316L Stainless Steel

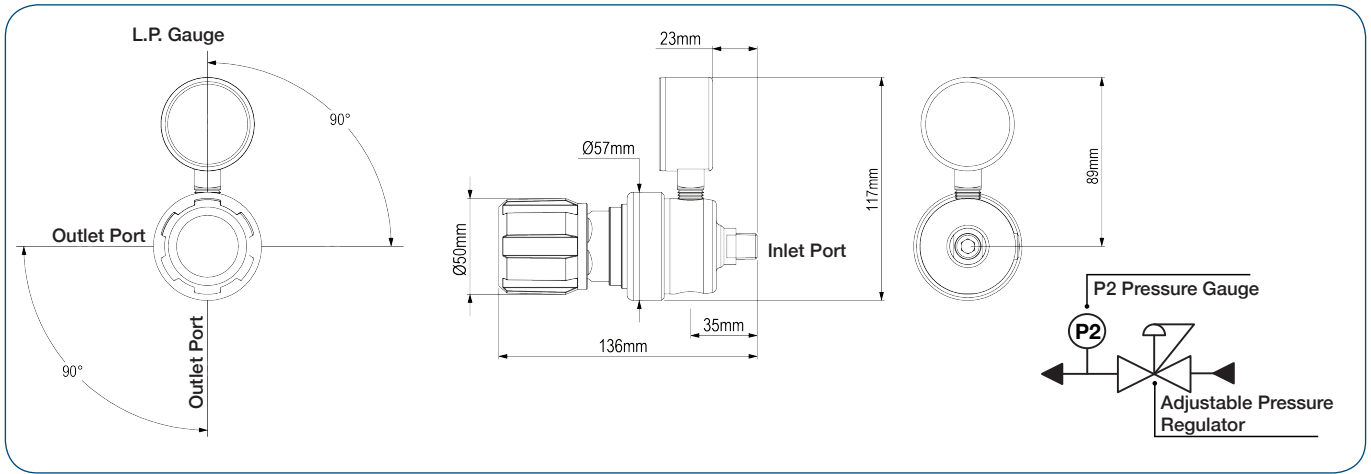
👍 SPECIFICATION

■ Maximum Inlet Pressure	60 bar (870 PSI)
■ Delivery Pressure Range	1.5 bar (22 PSI) 3.5 bar (50 PSI) 6 bar (90 PSI) 10 bar (150 PSI)
■ Gauges	50mm (2") Diameter
■ Ports	1/4" NPT Female
■ Temperature Range	-20° C to +60° C (-4° F to +140° F)
■ Flow Coefficient (Cv)	0.1
■ Weight	1.1 kg (2.5 lbs)

✓ FLOW PERFORMANCE



DRAWINGS



MODEL NO. SELECTOR GUIDE

Example for a Model No. for GPP400 Series

Product Type	Inlet Pressure Bar [PSI]	Outlet Pressure Bar [PSI]	Inlet Pressure Gauge	Outlet Pressure Gauge	Inlet Connection	Outlet Connection	Options
GPP400	02 60 bar [870]	02 0 to 1.5 [22]	00 No Gauge Fitted	00 No Gauge Fitted	004 1/4 NPT Male	00 1/4 NPT Female	A No Options Selected
		03 0 to 3.5 [50]		01 bar/PSI		01 1/8 Stainless Steel Compression	K Certificate of Conformity (CoC)
		04 0 to 6 [90]		10 Plugged Port		02 1/4 Stainless Steel Compression	P Calibration / Pressure Test Certificate
		05 0 to 10 [150]				03 6mm Stainless Steel Compression	X Special Instruction
						04 1/4 NPT Male	
						05 1/4 SAE Flare Brass Male	
						06 G1/2 BSP R/H Brass Male	
						07 G3/8 BSP R/H Brass Male	
						08 G3/8 BSP L/H Brass Male	