

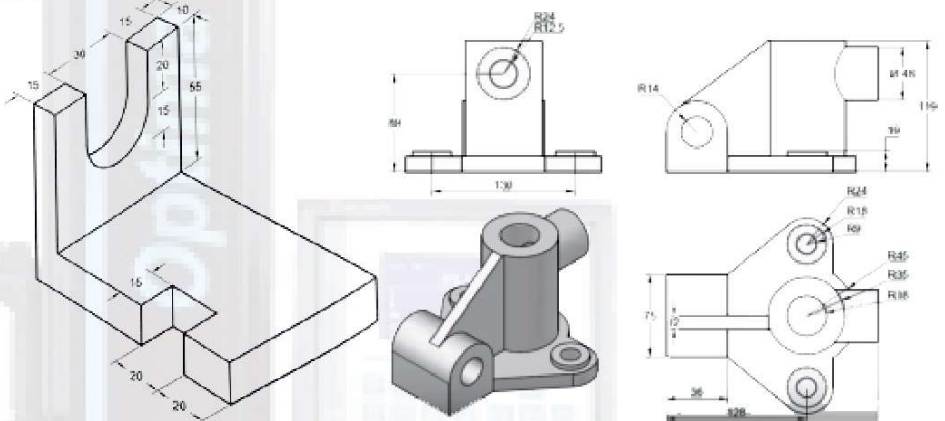
# Optima

Distributed by :  
 Mechtro Sdn Bhd  
 HQ : 199, Jalan S2 C9, Seksyen C, Seremban 2,  
 Green Technology Park, 70300 Seremban, N.S.D.K  
 H/P : 012-607 0876 Email : sales@mechtro.com.my  
 JB Office : No.24, Jalan Rambai 22,  
 Taman Kota Masai, 81700 Pasir Gudang, Johor  
 H/P : 012-983 0876 Email : andyleong@mechtro.com.my



**Optima H** Manual M/C  
**Optima M** Motorized M/C

- Ergonomically designed controller with TFT Screen
- Soft touch Keyboard
- Air Bearing Operation
- Multiple reference points
- Passive temperature compensation
- Data storage in USB Drive
- Li Ion Battery



Specifications	Optima M/ H	Optima M/ H	Optima M/ H
Measuring range	450 mm	700 mm	1000 mm
Expandable range	765 mm/830 mm	1015 mm/1080 mm	1315 mm/1380 mm
Resolution	0.01 / 0.005 / 0.001 / 0.0005 mm		
Repeatability (2 $\sigma$ )	On Plane $\leq$ 0.0015 mm On Bore $\leq$ 0.0030 mm		
Max. Measurement speed	600 mm/sec		
Measuring force	1.2 N $\pm$ 0.2		
Max. Permissible error *	2.5+L / 250 $\mu$ m (L= Length in mm)		
Squareness **	0.0065 mm	0.010 mm	0.015 mm
Air Cushion	Standard		
Operation time (Battery)	20 Hrs		
Operation temperature	10°C to 40°C		
Weight	23 kg	27 kg	30 kg
Standard probe	Carbide Ball $\varnothing$ 6 X 48 mm		

\* Values valid with standard ball probe at temperature 20°C  $\pm$  0.5°C

\*\* With electronic probe Magnascan50