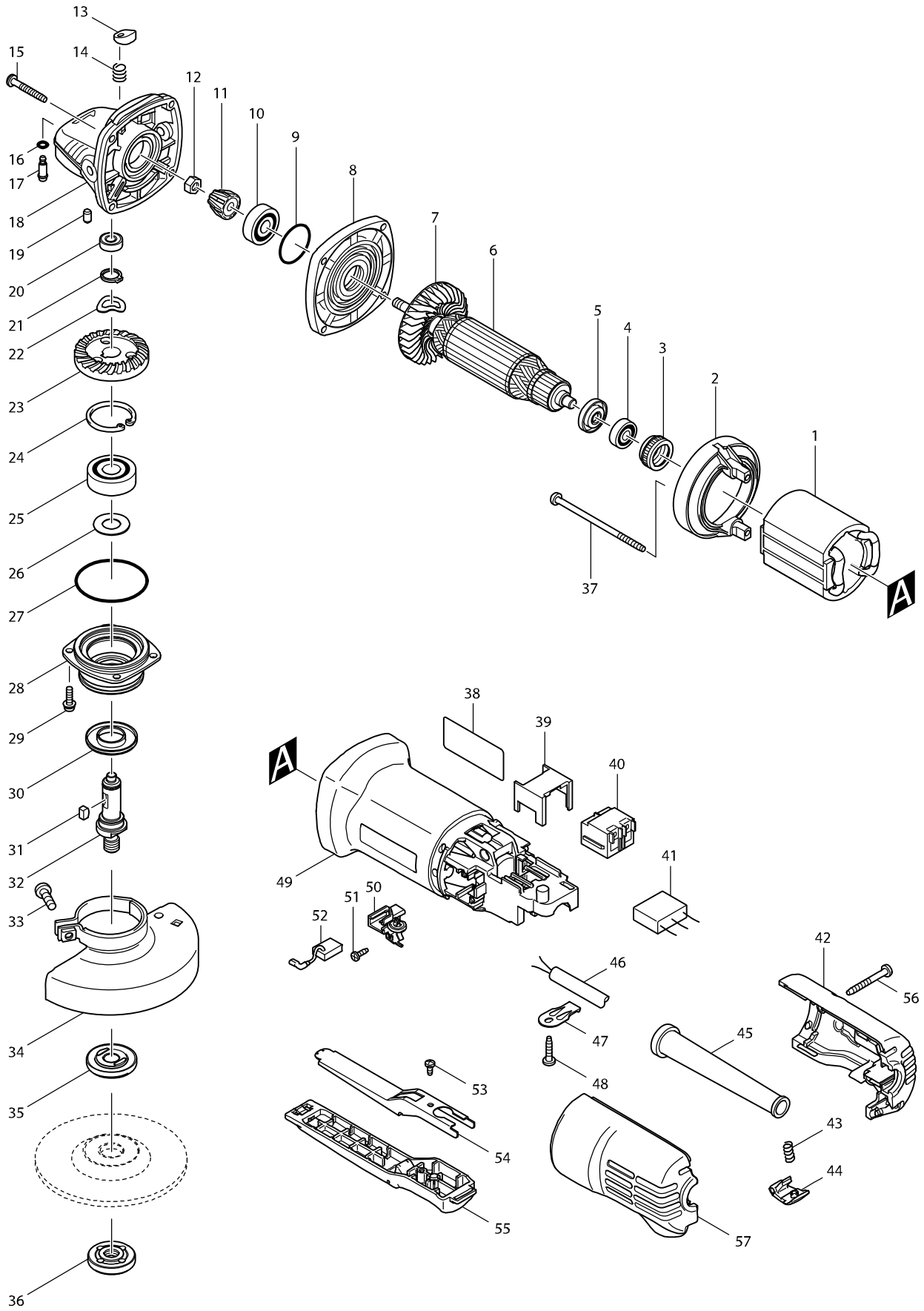


Model No. 9556PB 100MM ANGLE GRINDER



Model No. 9556PB 100MM ANGLE GRINDER

Item	Parts No.	Description	I/C	Qty	N/O	Opt. 1	Opt. 2	Note
001A	621708-9	FIELD 220-240V		1				
001B	621708-9	FIELD 220-240V		1				
001C	621708-9	FIELD 220-240V		1				
001G	621706-3	FIELD 115V		1	*			
001W	621706-3	FIELD 115V		1	*			
001-1G	621736-4	FIELD 115V	S	1				
001-1W	621736-4	FIELD 115V	S	1				
001-1Y	621736-4	FIELD 115V		1				
002	418770-1	BAFFLE PLATE		1				
003	421868-5	LABYRINTH RUBBER RING 19		1				
004A	210034-7	BALL BEARING 607LLB		1	*			
004B	210034-7	BALL BEARING 607LLB		1	*			
004G	210034-7	BALL BEARING 607LLB		1	*			
004W	210034-7	BALL BEARING 607LLB		1	*			
004-1A	211021-9	BALL BEARING 607LLB	O	1				
004-1B	211021-9	BALL BEARING 607LLB	O	1				
004-1C	211021-9	BALL BEARING 607LLB		1				
004-1G	211021-9	BALL BEARING 607LLB	O	1				
004-1W	211021-9	BALL BEARING 607LLB	O	1				
004-1Y	211021-9	BALL BEARING 607LLB		1				
005-1	681636-0	INSULATION WASHER		1				
006A	515613-9	ARMATURE ASS'Y 220-240V		1	*			
D10		INC. 4,5,7			*			
006B	515613-9	ARMATURE ASS'Y 220-240V		1	*			
D10		INC. 4,5,7			*			
006G	518869-3	ARMATURE ASS'Y 115V		1	*			
D10		INC. 4,5,7			*			
006W	518869-3	ARMATURE ASS'Y 115V		1	*			
D10		INC. 4,5,7			*			
006-1A	510084-5	ARMATURE ASS'Y 220-240V	O	1				
D10		INC. 4,5,7						
006-1B	510084-5	ARMATURE ASS'Y 220-240V	O	1				
D10		INC. 4,5,7						
006-1C	510084-5	ARMATURE ASS'Y 220-240V		1				
D10		INC. 4,5,7						
006-1G	510196-4	ARMATURE ASSY 115V	O	1				
D10		INC. 4,5,7						
006-1W	510196-4	ARMATURE ASSY 115V	O	1				
D10		INC. 4,5,7						
006-1Y	510196-4	ARMATURE ASSY 115V		1				
D10		INC. 4,5,7						
007	240076-7	FAN 56		1				
008	317821-6	GEAR HOUSING COVER		1				
009	213445-5	O-RING 26		1				
010-2	210042-8	BALL BEARING 629LLB		1				
011	227464-5	SPIRAL BEVEL GEAR 10		1				
012	252186-8	HEX. NUT M6		1				
013	417771-6	PIN CAP		1				

Item	Parts No.	Description	I/C	Qty	N/O	Opt. 1	Opt. 2	Note
014	233376-2	COMPRESSION SPRING 8		1				
015	266361-0	TAPPING SCREW 4X30		4				
016	213960-9	O RING 5		1				
017A	256486-8	SHOULDER PIN 4		1				
017B	256486-8	SHOULDER PIN 4		1				
017C	256546-6	SHOULDER PIN 4		1				
017G	256486-8	SHOULDER PIN 4		1				
017W	256486-8	SHOULDER PIN 4		1				
017Y	256546-6	SHOULDER PIN 4		1				
018A	317814-3	GEAR HOUSING		1				
018B	317814-3	GEAR HOUSING		1				
018C	318941-9	GEAR HOUSING		1				
018G	317814-3	GEAR HOUSING		1				
018W	317814-3	GEAR HOUSING		1				
018Y	318941-9	GEAR HOUSING		1				
019	263002-9	RUBBER PIN 4		1				
020A	210033-9	BALL BEARING 696ZZ		1	*			
020B	210033-9	BALL BEARING 696ZZ		1	*			
020G	210033-9	BALL BEARING 696ZZ		1	*			
020W	210033-9	BALL BEARING 696ZZ		1	*			
020-1A	210006-2	BALL BEARING 696ZZ	O	1				
020-1B	210006-2	BALL BEARING 696ZZ	O	1				
020-1C	210006-2	BALL BEARING 696ZZ		1				
020-1G	210006-2	BALL BEARING 696ZZ	O	1				
020-1W	210006-2	BALL BEARING 696ZZ	O	1				
020-1Y	210006-2	BALL BEARING 696ZZ		1				
021	961052-5	RETAINING RING S-12		1				
022	267794-2	WAVE WASHER 12		1				
023-1	227505-7	SPIRAL BEVEL GEAR 37		1				
024	962151-6	RETAINING RING R-32		1				
025	211129-9	BALL BEARING 6201DDW		1				
026	267238-2	FLAT WASHER 12		1				
027	213622-9	O RING 45		1				
028	317819-3	BEARING BOX		1				
029	265099-4	PAN HEAD SCREW M4X14		4				
030	345464-4	LABYRINTH RING		1				
031	254011-9	WOODRUFF KEY 4		1				
032	324488-3	SPINDLE		1				
033	265103-9	PAN HEAD SCREW M5X14		1				
034	125266-2	WHEEL COVER ASS'Y		1				
D10		INC. 33						
035	224314-5	INNER FLANGE 30		1				
036	224559-5	LOCK NUT 10-30		1				
037	266345-8	TAPPING SCREW 4X80		2				
038	861340-9	9556PB NAME PLATE		1				
039A	418729-8	SPACER		1				
039B	418729-8	SPACER		1				
039C	418729-8	SPACER		1				

Model No. 9556PB 100MM ANGLE GRINDER

Item	Parts No.	Description	I/C	Qty	N/O	Opt. 1	Opt. 2	Note
040A	650560-8	SWITCH DPX-2110-R		1	*			
040B	650560-8	SWITCH DPX-2110-R		1	*			
040G	650561-6	SWITCH APB-2114		1	*			
040W	650561-6	SWITCH APB-2114		1	*			
040-1A	651947-7	SWITCH 1247.0302	O	1				
040-1B	651947-7	SWITCH 1247.0302	O	1				
040-1C	651947-7	SWITCH 1247.0302		1				
040-1G	650579-7	SWITCH 1246.3223	<	1	*			
040-1W	650579-7	SWITCH 1246.3223	<	1	*			
040-2G	650620-6	SWITCH	S	1				
040-2W	650620-6	SWITCH	S	1				
040-2Y	650620-6	SWITCH		1				
042	183943-2	REAR COVER SET		1				
D10		INC. 57						
043A	231252-4	COMPRESSION SPRING 6		1				
043C	231252-4	COMPRESSION SPRING 6		1				
043G	231252-4	COMPRESSION SPRING 6		1	*			
043W	231252-4	COMPRESSION SPRING 6		1	*			
044A	418842-2	LOCK ON BUTTON		1				
044B	419057-4	CAP		1				
044C	418842-2	LOCK ON BUTTON		1				
044G	418842-2	LOCK ON BUTTON		1	*			
044W	418842-2	LOCK ON BUTTON		1	*			
044-1G	419057-4	CAP	S	1				
044-1W	419057-4	CAP	S	1				
044-1Y	419057-4	CAP		1				
045	682559-5	CORD GUARD 8		1				
046A	692021-2	POWER SUPPLY CORD 1.0-2-2.5		1				
046B	663514-6	POWER SUPPLY CORD 1.0-2-2.5		1				
046C	692021-2	POWER SUPPLY CORD 1.0-2-2.5		1				
046G	664891-9	POWER SUPPLY CORD AWG#18-2-2.5		1	*			
046W	664891-9	POWER SUPPLY CORD AWG#18-2-2.5		1				
046Y	664891-9	POWER SUPPLY CORD AWG#18-2-2.5		1				
046-1G	663514-6	POWER SUPPLY CORD 1.0-2-2.5	S	1				
047	687169-3	STRAIN RELIEF		1				
048	266326-2	TAPPING SCREW 4X18		1				
049	418838-3	MOTOR HOUSING		1				
050	643760-7	BRUSH HOLDER		2				
051	266007-8	TAPPING SCREW BIND PT 3X10		4				
052	194074-2	CARBON BRUSH CB-325		1				
053A	265954-0	TAPPING SCREW BIND PT3X8		1	*			
053B	265954-0	TAPPING SCREW BIND PT3X8		1	*			
053G	265954-0	TAPPING SCREW BIND PT3X8		1	*			
053W	265954-0	TAPPING SCREW BIND PT3X8		1	*			
053-1A	266492-5	TAPPING SCREW 3X8	O	1				
053-1B	266492-5	TAPPING SCREW 3X8	O	1				
053-1C	266492-5	TAPPING SCREW 3X8		1				
053-1G	266492-5	TAPPING SCREW 3X8	O	1				

Model No. 9556PB 100MM ANGLE GRINDER

Item	Parts No.	Description	I/C	Qty	N/O	Opt. 1	Opt. 2	Note
053-1W	266492-5	TAPPING SCREW 3X8	O	1				
053-1Y	266492-5	TAPPING SCREW 3X8		1				
054	345504-8	PLATE		1				
055A	154584-1	SWITCH LEVER B COMPLETE		1				
055B	140077-4	SWITCH LEVER D COMPLETE		1	*			
055C	154584-1	SWITCH LEVER B COMPLETE		1				
055G	154583-3	SWITCH LEVER A COMPLETE		1				
055W	140076-6	SWITCH LEVER C COMPLETE		1	*			
055-1B	154584-1	SWITCH LEVER B COMPLETE	<	1				
055-1W	154583-3	SWITCH LEVER A COMPLETE	<	1				
055-1Y	154583-3	SWITCH LEVER A COMPLETE		1				
056-1	266351-3	TAPPING SCREW 4X35		2				
057	183943-2	REAR COVER SET		1				
D10		INC. 42						
058A	819355-0	CLEAR LABEL		1	*			
058B	819355-0	CLEAR LABEL		1	*			
058G	819355-0	CLEAR LABEL		1	*			
058W	819355-0	CLEAR LABEL		1	*			
058-1A	892373-3	CLEAR LABEL	<	1				
058-1B	892373-3	CLEAR LABEL	<	1				
058-1C	892373-3	CLEAR LABEL		1				
058-1G	892373-3	CLEAR LABEL	<	1				
058-1W	892373-3	CLEAR LABEL	<	1				
058-1Y	892373-3	CLEAR LABEL		1				
A01	153489-2	GRIP 36 COMPLETE		1				
A02	782420-7	LOCK NUT WRENCH 20		1				
A05	A-80852	GRINDING WHEEL 100X6X16		1				
E01B	655034-4	PLUG		1				
E01G	655030-2	PLUG UK TYPE 16A-4H/110V	S	1				
E02B	654091-9	NON-INSULATED TERMINAL1.25-2AF		2				
E02G	654091-9	NON-INSULATED TERMINAL1.25-2AF	S	2				