

MANHOLES &  
VALVE CHAMBER

# DUCTILE IRON MANHOLE COVERS & VALVE CHAMBER FOR THE PURPOSE OF UTILITIES



## MANHOLE COVERS

**MANHOLE COVER  
(MODEL 668)**  
710MM x 710MM x 100MM



**MANHOLE COVER  
(MODEL 670H)**  
840MM x 840MM x 100MM



## VALVE CHAMBER (MODEL 666H)



In Brief

- ▶ Designed for Heavy Duty Applications
- ▶ Suitable for Use on Water, Wastewater & Sewage Applications in Both Wet & Dry Conditions
- ▶ **Breaking Load** : 40MT
- ▶ **Coating** : Bituminous Coating

Standards

- |                            |                                  |                   |
|----------------------------|----------------------------------|-------------------|
| ▶ <b>Clear Opening</b>     | : Ø600mm                         | ▶ : Ø320mm        |
| ▶ <b>Design &amp; Test</b> | : BS EN 124-1&2,<br>SPAN-TS 3003 | ▶ : BS EN 124-1&2 |
| ▶ <b>Classification</b>    | : D400                           |                   |

Features

- |                    |  |   |
|--------------------|--|---|
| ▶ <b>Dimension</b> | : 710mm x 710mm x 100mm(H)<br>(Option With Extension Ring)<br>: 840mm x 840mm x 100mm(H) | ▶ : 609mm(H) x 320mm(CO)<br>x 440mm(SQ) |
|--------------------|--|---|
- ▶ Extension Ring Height Dimension is Based on Site Requirement
  - ▶ Locking Device Designed for the Prevention of Unauthorized Lifting, Opening or Removal of Cover
  - ▶ Valve Chamber Designed for Valve Size Ranges up to DN300

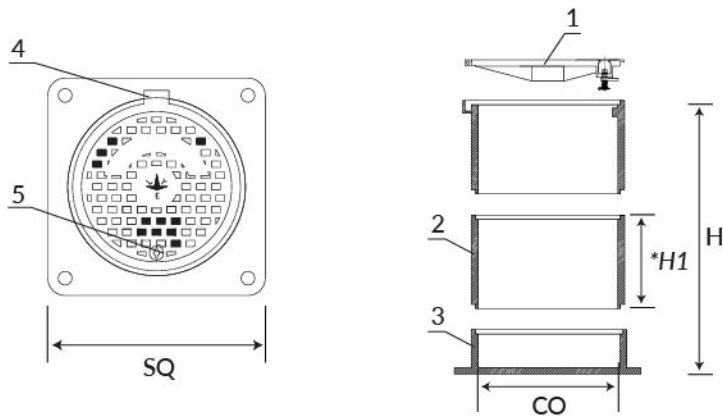


**LYE MANUFACTURING SDN.BHD.** (197701001852 (32836-H))  
Manufacturer of Valves, Hydrants, Joints, Fittings & Manhole Covers

# DUCTILE IRON MANHOLE COVERS & VALVE CHAMBER FOR THE PURPOSE OF UTILITIES

## Technical Table

### Valve Chamber



\*H1 Subjects on Site Requirement

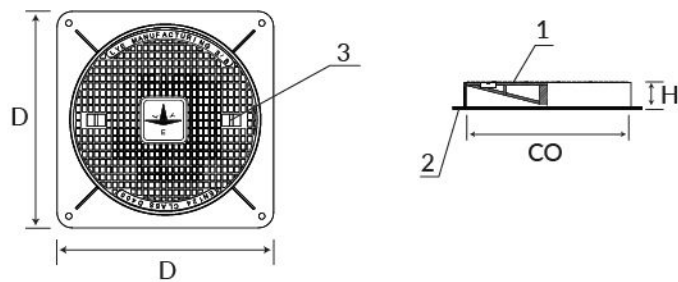
### Product Specifications

No.	Component	Material	Standard Ref.
1	Cover	Ductile Iron	BS EN 1563
2	Extension Ring	Ductile Iron	BS EN 1563
3	Base Frame	Ductile Iron	BS EN 1563
4	Hinge	Stainless Steel	BS 970-1
	Locking Device	Stainless Steel	BS 970-1
5	Lifting Device	Ductile Iron	BS EN 1563

### Technical Data

H (mm)	CO (mm)	SQ (mm)
609	320	440

### Manhole Top 710mm x 710mm x 100mm(H)



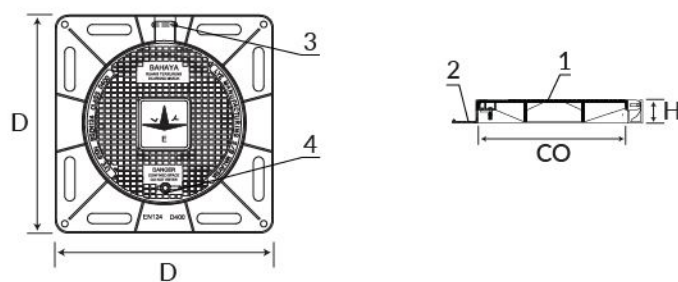
### Product Specifications

No.	Component	Material	Standard Ref.
1	Cover	Ductile Iron	BS EN 1563
2	Base Frame	Ductile Iron	BS EN 1563
3	Key Holder	Ductile Iron	BS EN 1982

### Technical Data

D (mm)	CO (mm)	H (mm)
710	600	100

### Manhole Top 840mm x 840mm x 100mm(H)



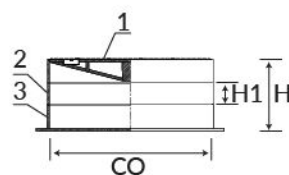
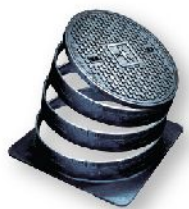
### Product Specifications

No.	Component	Material	Standard Ref.
1	Cover	Ductile Iron	BS EN 1563
2	Base Frame	Ductile Iron	BS EN 1563
3	Hinge	Stainless Steel	BS 970-1
4	Locking Device	Stainless Steel	BS 970-1
	Lifting Device	Ductile Iron	BS EN 1563

### Technical Data

D (mm)	CO (mm)	H (mm)
840	600	100

### With Extension Ring (MODEL 668)



### With Extension Ring

D (mm)	CO (mm)	H (mm)	H1 (mm)
710	600	300	100

Note: Technical data provided in this brochure is indicative only and may be subject to change without prior notice.