

LYE AIR VALVES SERIES

DOUBLE ORIFICE KINETIC & SINGLE LARGE ORIFICE

DOUBLE ORIFICE KINETIC



SINGLE LARGE ORIFICE



The Brand Of Reliability

LYE MANUFACTURING SDN. BHD. (32836-H)

Manufacturer of Valves, Hydrants, Joints, Fittings & Manhole Covers.

Lot 1844, Jalan KPB 8, Kampung Baru Balakong, 43300 Kajang, Selangor Darul Ehsan, Malaysia.

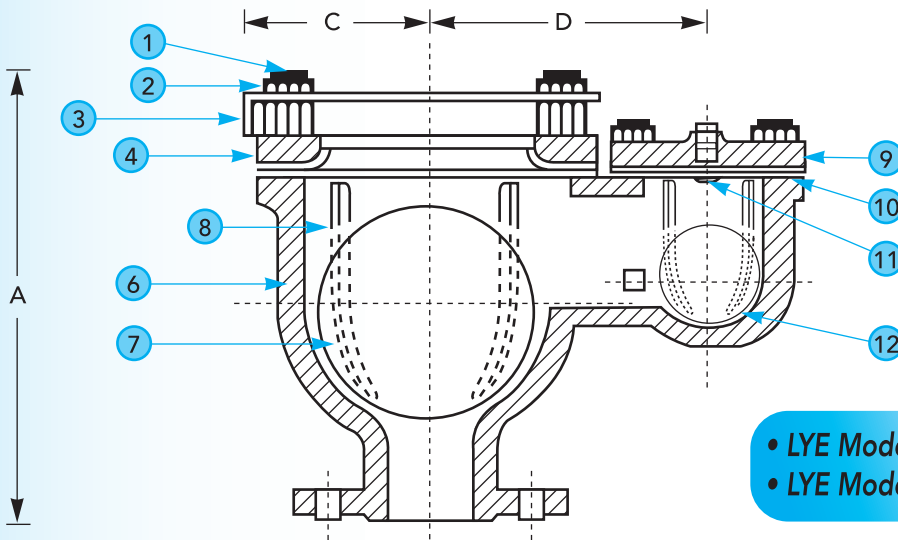
FACTORY: Tel : 603 - 8961 1623, Fax : 603 - 8961 1092

SALES: Tel : 603 - 6140 3131 (Hunting Line) Fax : 603 - 6140 5858

WEBSITE: www.lye.com.my

EMAIL: enquiry@lye.com.my





MAXIMUM DIMENSION				
SIZE	A	C	D	B*
mm	mm	mm	mm	mm
50	275	90	220	170
80	275	110	235	190
100	310	110	260	230
150	400	135	295	280
200	540	165	375	450

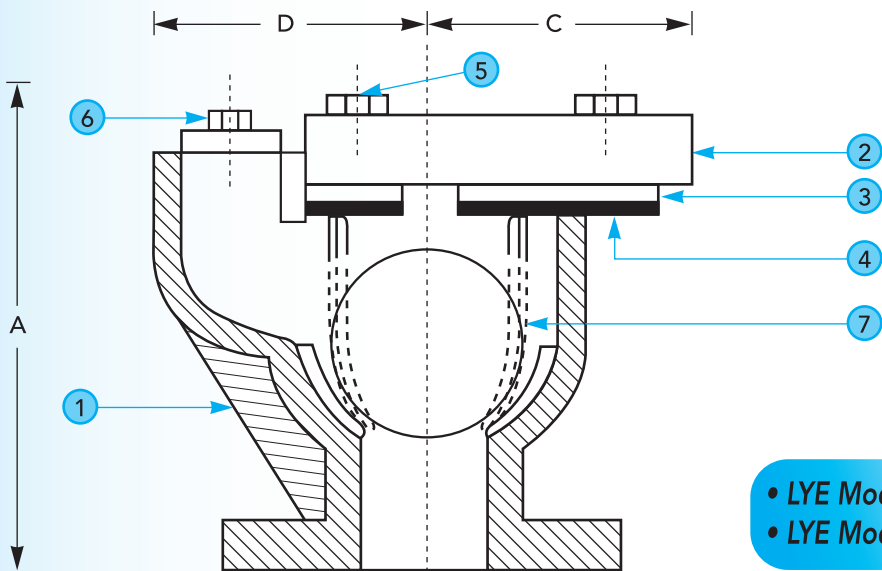
B* - Width of air valve

- LYE Model No.354 - Non-Isolating Type
- LYE Model No.355 - c/w Isolating Sluice Valve

DOUBLE ORIFICE KINETIC (ORIFICE BERKEMBAR KINETIK)

(SMALL AND LARGE ORIFICE DOUBLE AIR VALVE)

NO	DESCRIPTION	MATERIAL	BS REF. NO.
1	BOLT	MILD STEEL	BS 4190 (MS 740)
2	NUTS	MILD STEEL	BS 4190 (MS 740)
3	LARGE ORIFICE COVER	DUCTILE IRON (EN-GJS-500-7)	BS EN 1563
4	LARGE ORIFICE PLATE	DUCTILE IRON (EN-GJS-500-7)	BS EN 1563
5	GASKET	EPDM RUBBER	BS EN 681
6	BODY	DUCTILE IRON (EN-GJS-500-7)	BS EN 1563
7	LARGE ORIFICE FLOAT (BALL)	ABS PLASTIC	ISO 2580
8	BALL GUIDE	DUCTILE IRON (EN-GJS-500-7)	BS EN 1563
9	SMALL ORIFICE PLATE	DUCTILE IRON (EN-GJS-500-7)	BS EN 1563
10	GASKET	EPDM RUBBER	BS EN 681
11	AIR RELEASE NIPPLE	BRASS (CZ116)	BS EN 12163
12	SMALL ORIFICE FLOAT (BALL)	ABS PLASTIC	ISO 2580



MAXIMUM DIMENSION				
SIZE	A	C	D	B*
mm	mm	mm	mm	mm
50	275	165	165	215
80	275	165	165	245
100	305	185	185	270
150	400	265	265	305
200	530	325	325	400

B* - Width of air valve

- LYE Model No.254 - Non-Isolating Type
- LYE Model No.255 - c/w Isolating Sluice Valve

SINGLE LARGE ORIFICE - TYPE B (ORIFICE BESAR TUNGGAL)

NO	DESCRIPTION	MATERIAL	BS REF. NO.
1	BODY	DUCTILE IRON (EN-GJS-500-7)	BS EN 1563
2	COVER	DUCTILE IRON (EN-GJS-500-7)	BS EN 1563
3	PLATE	DUCTILE IRON (EN-GJS-500-7)	BS EN 1563
4	GASKET	EPDM RUBBER	BS EN 681
5	BOLT AND NUTS	MILD STEEL	BS 4190 (MS 740)
6	PLUG	STAINLESS STEEL (304S31)	BS EN 10088-3
7	FLOAT (BALL)	ABS PLASTIC	ISO 2580

Please Note: Technical data provided is indicative only and may be subject to change without notice