

**LYE DUCTILE IRON**

# **CONCENTRIC FLANGED BUTTERFLY VALVE**

**BS EN 593 PN16**



- **Design Standard: BS EN 593**
- **Face to Face: BS EN 558 Series 13**
- **Connection Ends: BS EN 1092 PN16**
- **Top Flange Standard: ISO 5211**  
Stem drive by keys, parallel or diagonal square or flat head
- **Working Pressure: PN16**
- **Temperature Range: 0°C - 80°C**
- **Coating: Fusion Bonded Epoxy Coating in accordance with ANSI/AWWA C550**



The Brand Of Reliability

**LYE MANUFACTURING SDN. BHD. (32836-H)**

Manufacturer of Valves, Hydrants, Joints, Fittings & Manhole Covers.

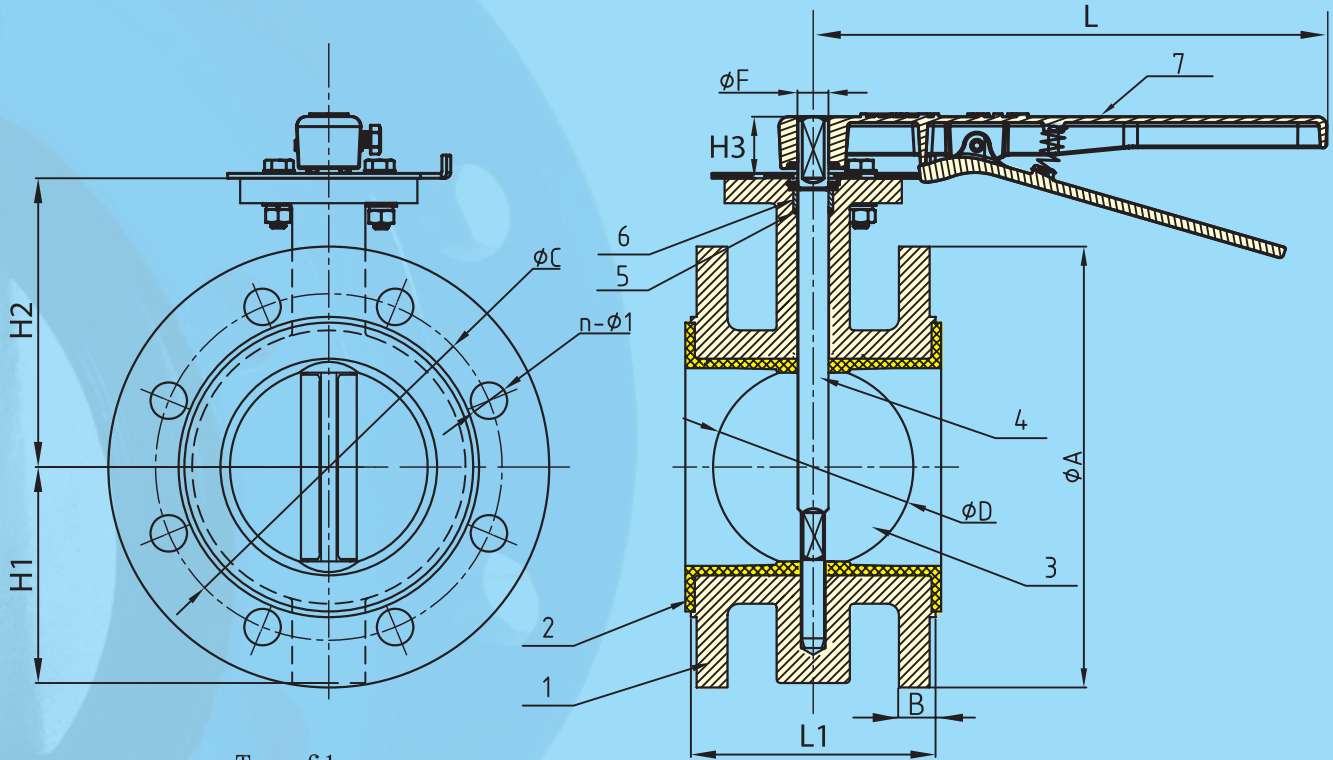




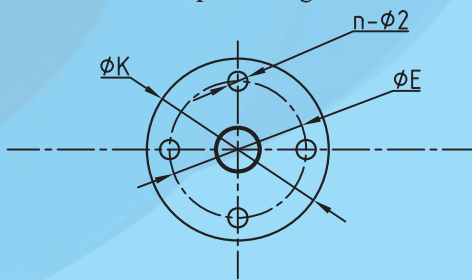
**LYE DUCTILE IRON**

# CONCENTRIC FLANGED BUTTERFLY VALVE

**BS EN 593 PN16**



Top flange



Material Specification		
Part No.	Part	Standard Specification
1	Valve Body	Ductile Iron 500-7
2	Seat	EPDM
3	Disc	Ductile Iron 500-7
4	Stem	SS420
5	O-Ring	EPDM
6	Bushing	Nylon
7	Lever	Ductile Iron 500-7

DN		Dimensions (mm)														
Inch	mm	L1	H1	H2	H3	$\phi A$	B	$\phi C$	L	N- $\phi 1$	$\phi D$	$\phi E$	$\phi K$	N- $\phi 2$	ISO 5211	$\phi F$
2"	50	108	80	110	32	165	19	125	267	4- $\phi 19$	53.9	70	90	4- $\phi 10$	F07	14
2.5"	65	112	80	131	32	185	19	145	267	4- $\phi 19$	65.2	70	90	4- $\phi 10$	F07	14
3"	80	114	95	134	32	200	19	160	267	8- $\phi 19$	79.7	70	90	4- $\phi 10$	F07	14
4"	100	127	113	150	32	220	19	180	267	8- $\phi 19$	105	70	90	4- $\phi 10$	F07	16
5"	125	140	114	170	32	250	19	210	267	8- $\phi 19$	130	70	90	4- $\phi 10$	F07	16
6"	150	140	139	180	32	285	19	240	267	8- $\phi 23$	156	70	90	4- $\phi 10$	F07	20
8"	200	152	175	210	45	340	20	295	356	12- $\phi 23$	206.7	102	125	4- $\phi 12$	F10	26
10"	250	165	203	245	45	405	22	355	356	12- $\phi 28$	253.3	102	125	4- $\phi 12$	F10	26
12"	300	178	242	276	45	460	24.5	410	490	12- $\phi 28$	301.9	102	125	4- $\phi 12$	F10	28

Please Note: Technical data provided is indicative only and may be subject to change without notice



The Brand Of Reliability

**LYE MANUFACTURING SDN. BHD. (32836-H)**

Manufacturer of Valves, Hydrants, Joints, Fittings & Manhole Covers.

SALES OFFICE : Lot 36, Jalan BRP 9/2B, Putra Industrial Park, Bukit Rahman Putra, 47000 Sg. Buloh, Selangor Darul Ehsan, Malaysia.

Tel : 603 - 6140 3131 (Hunting Line) Fax : 603 - 6140 5858 Email : enquiry@lye.com.my

FACTORY : Lot 1844, Jalan KPB 8, Kampung Baru Belakong, 43300 Kajang, Selangor Darul Ehsan, Malaysia.

Tel : 603 - 8961 1623 Fax : 603 - 8961 1092

WEBSITE : www.lye.com.my

