



LYE DUCTILE IRON

WAFER BUTTERFLY VALVE

BS EN 593 PN16



- **Design Standard: BS EN 593**
- **Connection Ends: BS EN 1092 PN16, AS 2129 TABLE E, JIS B2212 10K, BS 10 TABLE D/E**
- **Top Flange Standard: ISO 5211**
Stem drive by keys, parallel or diagonal square or flat head
- **Working Pressure: PN16**
- **Temperature Range: 0°C - 80°C**
- **Coating: Fusion Bonded Epoxy Coating**

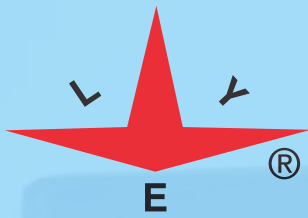


The Brand Of Reliability

LYE MANUFACTURING SDN. BHD. (32836-H)

Manufacturer of Valves, Hydrants, Joints, Fittings & Manhole Covers.

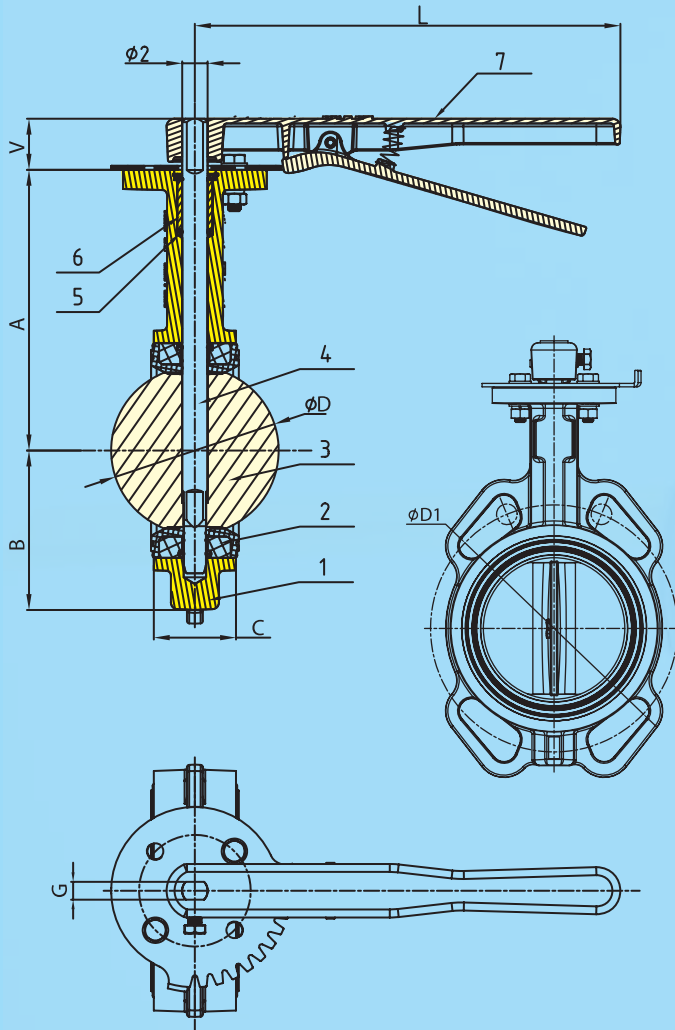




LYE DUCTILE IRON

WAFER BUTTERFLY VALVE

BS EN 593 PN16



Statement:

Resilient centerline butterfly valves usually serve to cut off medium flow in the piping system, widely applied in the field of potable water, water supply and drainage, sewage disposal, irrigation, air conditioning, fire protection as well as chemical and energy industry. The design of the butterfly valves, however, makes it also suitable to serve as adjusting valve.

Features:

1. Material: Body and lever are all produced in ductile iron material (EN-500-7) which provides guarantee for high strength and good corrosion resistance.

2. Design: Universal flange connection to BS EN 1092 PN6/10/16, ASME B16.1 CL 125, ASME B16.5 CL150, GB9113, JIS B2112 10K, AS 2129 Table E, BS 10 Table D/E.

3. Coating: Fusion bonded epoxy coating of valve body and lever provides reliable corrosion resistance.

- Ductile Iron Lever and Body
- Stainless Steel Stem
- Fusion Bonded Epoxy Coating
- Disc: DI, Nickel
- Seat: EPDM

Material Specification		
Part No.	Part	Standard Specification
1	Valve Body	Ductile Iron 500-7
2	Seat	EPDM
3	Disc	Ductile Iron 500-7
4	Stem	SS420
5	O-Ring	EPDM
6	Bushing	Nylon
7	Lever	Ductile Iron 500-7

DN		Dimensions (mm)									
Inch	mm	A	B	V	C	ØD	Ø2	G	L	ØD1	ISO 5211
1.5"	40	138	64.5	32	33	43.9	14	9.45	267	110	F07
2"	50	140.5	64.5	32	43	53.9	14	9.53	267	125	F07
2.5"	65	153	72	32	46	65.2	14	9.53	267	145	F07
3"	80	157.5	86	32	46	79.7	14	9.53	267	160	F07
4"	100	176	100	32	52	105	16	11.14	267	180	F07
5"	125	191	112	32	56	130	16	11.14	267	210	F07
6"	150	202.5	128	32	56	156	20	12.7	267	240	F07
8"	200	243.5	162	45	60	206.7	26	20.6	356	295	F10
10"	250	273	194	45	68	253.3	26	20.6	490	355	F10
12"	300	311	223	45	78	301.9	28	22.1	490	410	F10

Please Note: Technical data provided is indicative only and may be subject to change without notice



LYE MANUFACTURING SDN. BHD. (32836-H)

Manufacturer of Valves, Hydrants, Joints, Fittings & Manhole Covers.

SALES OFFICE : Lot 36, Jalan BRP 9/2B, Putra Industrial Park, Bukit Rahman Putra, 47000 Sg. Buloh, Selangor Darul Ehsan, Malaysia.

Tel : 603 - 6140 3131 (Hunting Line) Fax : 603 - 6140 5858 Email : enquiry@lye.com.my

FACTORY : Lot 1844, Jalan KPB 8, Kampung Baru Belakong, 43300 Kajang, Selangor Darul Ehsan, Malaysia.

Tel : 603 - 8961 1623 Fax : 603 - 8961 1092

WEBSITE : www.lye.com.my

