



LYE DUCTILE IRON

DOUBLE DOOR WAFER CHECK VALVE

PN16



- **Connection Ends: BS EN 1092 PN16, JIS B2212 10K, BS 10 TABLE E**
- **Working Pressure: PN16**
- **Temperature Range: 0°C - 80°C**
- **Coating: Fusion Bonded Epoxy Coating in accordance with ANSI/AWWA C550**

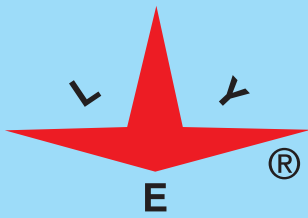


The Brand Of Reliability

LYE MANUFACTURING SDN. BHD. (32836-H)

Manufacturer of Valves, Hydrants, Joints, Fittings & Manhole Covers.

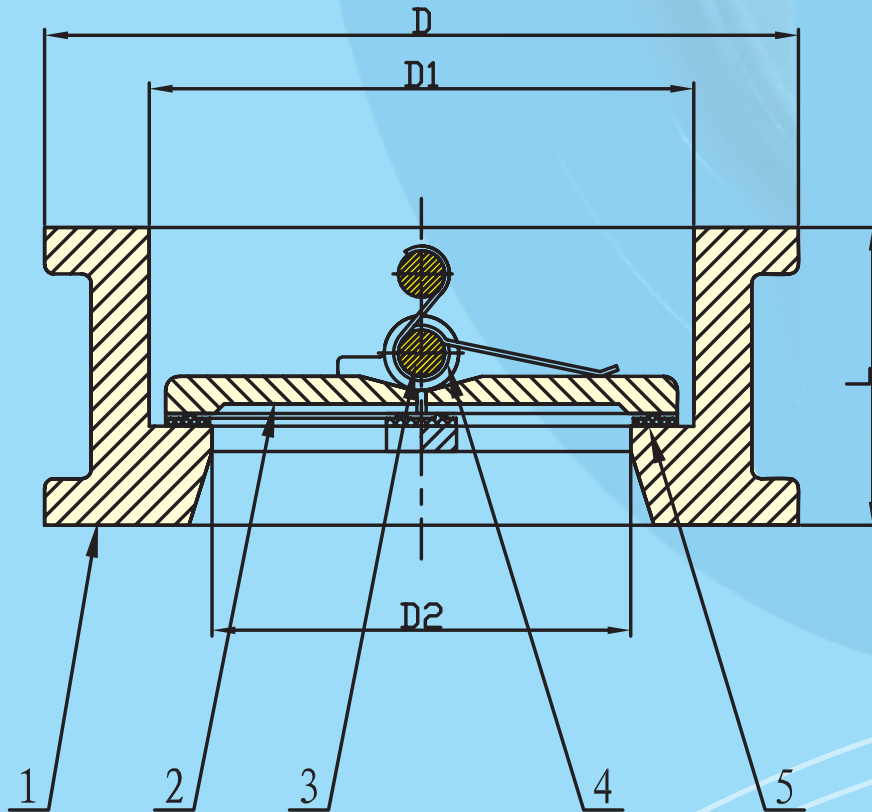




LYE DUCTILE IRON

DOUBLE DOOR WAFER CHECK VALVE

PN16



Material Specification		
Part No.	Part	Standard Specification
1	Valve Body	Ductile Iron 500-7
2	Disc	SS304
3	Stem	SS420
4	Spring	SS304
5	Rubber Seat	EPDM

DN		Dimensions (mm)			
Inch	mm	L	D	D1	D2
2"	50	54	107	64	46
2.5"	65	54	127	78	60
3"	80	57	142	94	70
4"	100	64	162	117	84
5"	125	70	192	145	115
6"	150	76	218	170	134
8"	200	95	273	224	184
10"	250	108	328	265	220
12"	300	143	378	310	260
14"	350	184	438	360	302
16"	400	191	489	410	350

Please Note: Technical data provided is indicative only and may be subject to change without notice



LYE MANUFACTURING SDN. BHD. (32836-H)
Manufacturer of Valves, Hydrants, Joints, Fittings & Manhole Covers.
 Lot 1844, Jalan KPB 8, Kampung Baru Balakong, 43300 Kajang, Selangor Darul Ehsan, Malaysia.
FACTORY: Tel : 603 - 8961 1623, Fax : 603 - 8961 1092
SALES: Tel : 603 - 6140 3131 (Hunting Line) Fax : 603 - 6140 5858
WEBSITE: www.lye.com.my
EMAIL: enquiry@lye.com.my



(Jan 18) Rev 5